



Tools for Chefs

# SLICER PROFI LINE

210000, 210017, 210031, 210048, 210086, 970294



You should read this user manual carefully before using the appliance.

Bevor Sie das Gerät in Betrieb nehmen, sollten Sie diese Gebrauchsanweisung aufmerksam lesen.

Alvorens de apparatuur in gebruik te nemen dient u deze gebruiksaanwijzing aandachtig te lezen.

Przed uruchomieniem urządzenia należy koniecznie dokładnie przeczytać niniejszą instrukcję obsługi.

Lisez attentivement ce mode d'emploi avant d'utiliser l'appareil .

Prima di utilizzare l'apparecchio in funzione leggere

attentamente le istruzioni per l'uso.

Citiți cu atenție prezentul manual de utilizare înainte de folosirea aparatului.

Внимательно прочитайте руководство пользователя перед использованием прибора.

Πρέπει να διαβάσετε αυτές τις οδηγίες χρήσης προσεκτικά πριν χρησιμοποιήσετε τη συσκευή.

Prije uporabe uređaja pažljivo pročitajte ovaj korisnički priručnik.

Před použitím spotřebiča si pozorně přečtěte tento návod na použití.



Keep these instructions with the appliance.  
Diese Gebrauchsanweisung bitte beim Gerät aufbewahren.  
Bewaar deze handleiding bij het apparaat.  
Zachowaj instrukcję urządzenia  
Gardez ces instructions avec cet appareil.  
Conservate le istruzioni insieme all'apparecchio.  
Păstrați manualul de utilizare alături de aparat.  
Хранить руководство вместе с устройством.  
Φυλάξτε αυτές τις οδηγίες μαζί με τη συσκευή.  
Čuvajte ove upute uz uređaj.  
Tieto pokyny si odložte so spotrebičom.



For indoor use only.  
Nur zur Verwendung im Innenbereich.  
Alleen voor gebruik binnenshuis.  
Do użytku wewnątrz pomieszczeń.  
Pour l'usage à l'intérieur seulement.  
Destinato solo all'uso domestico.  
Doar pentru uz la interior.  
Использовать только в помещениях.  
Για χρήση μόνο σε εσωτερικό χώρο.  
Samo za unutarnju uporabu.  
Len na použitie v interiéri.




For item 210017 only.  
Nur für Artikel 210017.  
Alleen voor artikel 210017.  
Dla pozycji numer 210017 tylko.  
Pour l'article 210017 seulement.  
Solo per articolo 210017.  
Numai pentru articolul 210017.  
Только для элемента 210017.  
Για το στοιχείο 210017 μόνο.  
Samo za stavku 210017.  
Len pre položku 210017.

Dear Customer,

Thank you for purchasing this HENDI appliance. Read this manual carefully, paying particular attention to the safety regulations outlined below, before installing and using this appliance for the first time.

## Safety regulations

- This appliance is intended for commercial use only.
- Only use the appliance for the intended purpose it was designed for as described in this manual.
- The manufacturer is not liable for any damage caused by incorrect operation and improper use.
- Keep the appliance and electrical plug away from water and other liquids. In the event the appliance falls into water, immediately remove the power plug from the socket. Do not use the appliance until it has been checked by a certified technician. Failure to follow these instructions will cause life threatening risks.
- Never attempt to open the housing of the appliance by yourself.
- Do not insert objects into the housing of the appliance.
- Do not touch the plug with wet or damp hands.
-  **Danger of electric shock!** Do not attempt to repair the appliance by yourself, repairs are only to be conducted by qualified personnel.
- **Never use a damaged appliance!** When it's damaged, disconnect the appliance from the socket and contact the retailer.
- **Warning!** Do not immerse the electrical parts of the appliance in water or other liquids.
- Never hold the appliance under running water.
- Regularly check the power plug and cord for any damage. When damaged it must be replaced by a service agent or similarly qualified person in order to avoid danger or injury.
- Make sure the cord does not come in contact with sharp or hot objects and keep it away from open fire. Never pull the power cord to unplug it from the socket, always pull the plug instead.
- Make sure that the power cord and/or extension cord do not cause a trip hazard.
- Never leave the appliance unattended during use.
- **Warning!** As long as the plug is in the socket the appliance is connected to the power source.
- Turn off the appliance before unplugging it from the socket.
- Connect the power plug to an easily accessible electrical socket so that in case of emergency the appliance can be unplugged immediately.
- Never carry the appliance by the cord.
- Do not use any extra devices that are not supplied together with the appliance.
- Only connect the appliance to an electrical outlet with the voltage and frequency mentioned on the appliance label.
- Never use accessories other than those recommended by the manufacturer. Failure to do so could pose a safety risk to the user and could damage the appliance. Only use original parts and accessories.




EN



- This appliance should not be operated by persons with reduced physical, sensory or mental capabilities, or persons that have a lack of experience and knowledge.
- This appliance should, under any circumstances, not be used by children.
- Keep the appliance and its power cord out of reach of children.
- **WARNING:** ALWAYS switch off the appliance and unplug from power socket before cleaning, maintenance or storage.

---

## Special Safety Regulations

-  **CAUTION!** Unplug before cleaning, maintenance or repair!
-  **CAUTION!** Two-person handling required!
-  **CAUTION!** Read instruction manual before operation, cleaning or maintenance!
- The food to be sliced must be thawed, unpacked and free from bones before it can be sliced with the appliance. Do not use the appliance for slicing frozen food, vegetables or for any other purpose.
- Use the appliance only as described in the manual.
- Any other use might lead to damage to the appliance or personal injury.
- This appliance should be operated by trained personnel.
- Do not place the appliance on a heating object (gasoline, electric, charcoal cooker, etc.) Keep the appliance away from any hot surfaces and open flames. Always operate the appliance on a level, stable, clean, heat-resistant and dry surface.
- **Danger of injury!** Care is needed when handling the blade, especially when removing the blade for cleaning. Wear protective gloves (not supplied) if necessary.
- **Caution!** Securely route the power cord if necessary in order to prevent unintentional tripping over and falling.
- Do not use the appliance before it is properly assembled with the blade, blade guard and the food holder.
- Do not use the appliance near explosive or flammable materials, credit cards, magnetic discs or radios.
- Never bypass any safety interlocks on the appliance.
- **WARNING:** Keep all ventilation openings in the appliance clear of obstruction.
- **WARNING:** ALWAYS switch OFF the appliance and unplug from electrical power supply before cleaning, maintenance or storage.
- **WARNING:** ALWAYS keep hands, long hair and clothing away from the moving parts.
- Allow at least 20 cm spacing around the appliance for ventilation purpose during use.
- **WARNING!** Take great care when handling the cutting discs. Wear protective gloves (not supplied) if necessary.

---

## Intended use

- This appliance is intended for professional use.
- The appliance is designed only for slicing foodstuff, e. g. meats, cheese, breads, etc. Any other use may lead to damage to the appliance or personal injury.
- Operating the appliance for any other purpose shall be deemed a misuse of the device. The user shall be solely liable for improper use of the device.

---

## Grounding installation

This appliance is classified as **protection class I** and must be connected to a protective ground. Grounding reduces the risk of electric shock by providing an escape wire for the electric current.

This appliance is fitted with a power cord that has a grounding wire and grounded plug. The plug must be plugged into an outlet that is properly installed and grounded.

---

## Information on the slicer

### General precautions

- The slicer must be operated only by highly qualified people who are fully aware of the safety measures described in this manual.
- In case of personnel rotation, training is to be provided in advance.
- Although the slicer is equipped with safety devices in the dangerous points, it is recommended not to touch the blade and the moving components.
- Before starting cleaning and maintenance operations, disconnect the slicer plug from the supply.
- Assess the residual risks carefully when protection devices are removed to carry out cleaning and maintenance.
- Cleaning and maintenance require great concentration.
- A regular control of the electric supply cord is absolutely necessary; a worn-out or damaged cord can expose users to great electric shock hazard.
- If the slicer shows malfunctions, it is recommended not to use or attempt to repair the device; please call the "SERVICE CENTRE".
- **Do not use the slicer for frozen products, meat and fish with bones and any products other than foodstuffs.**
- **Do not use the slicer without the meat pusher when the meat is nearly finished.**
- **Do not place yourself in a dangerous position, the blade may cause injuries.**

The manufacturer and/or the seller is not liable in the following cases:

- if the slicer has been tampered by non-authorized personnel;
- if some parts have been substituted by non-original spare parts;
- if the instructions included in this manual are not followed accurately;
- if the slicer is not cleaned and oiled with the right products.

---

## Safety systems installed in the slicer

The slicer is equipped with:

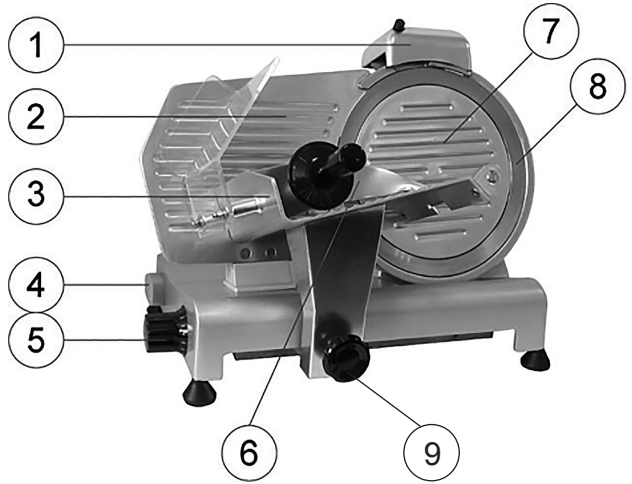
- a micro-switch which stops the slicer in case the tie rod for blade guard is removed; the micro-switch prevents from restarting the slicer if the guard has not been set in the switch-off position.
- a relay in the control box which requires the restart of the slicer when a power cut occurs.

Even though slicers are provided with electrical and mechanical protections (when the slicer is operating and for maintenance and cleaning operations), there are still **RESIDUAL RISKS** that cannot be eliminated completely; these risks are specified in this manual under **WARNING**. The blade and other parts of the machine can cause cuts and injuries.



## Main parts of the appliance

- 1 Blade sharpener
- 2 Stop plate
- 3 Carriage
- 4 On/off switch  
[White (I): ON; Black (O): OFF]
- 5 Slice thickness dial
- 6 Product clamp
- 7 Blade guard
- 8 Blade
- 9 Carriage lock
- 10 Blade guard bolt (not displayed)



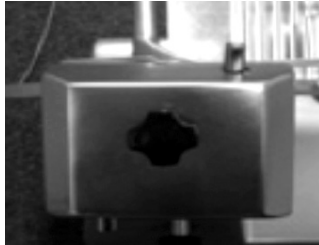
## Preparations before using for the first time

- Check to make sure no parts are missing. If any parts are missing, contact your supplier.
- Remove all the packing material.
- Keep the packaging if you intend to store your appliance in the future.
- Check the appliance for completeness and transport damages. In case of incomplete delivery or damage, contact supplier immediately. **DO NOT** use the appliance. (See ==> Warranty).
- Clean the blade. Be careful: the blade is very sharp. (Use gloves if necessary, not included)
- Keep open a space of at least 10 cm around the appliance to allow for adequate ventilation.
- Position the appliance in such a way that the plug is always accessible.
- If the sharpening device is not attached, proceed as follows:

EN



1. Top view of the appliance



2. Attach the sharpening module in such a way that the blade does not move between the wheels.

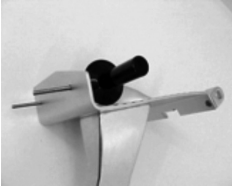


3. Secure the sharpening device to the machine by tightening the holder. Check to make sure that the sharpening device is well secured before using the machine.

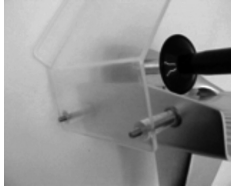
**NOTE!** The sharpening device is equipped with a safety switch. If the sharpening device is not properly attached, you will not be able to use the appliance.



- Attach the hand guard.



1. Place both screws in the carriage.



2. Attach the hand guard.



3. Place the two washers over the white bolts.



4. Screw on the two dome nuts.

**NOTE!** You are advised not to use the appliance if the hand guard is not attached as instructed! These are safety features that will prevent possible injury. If you do not attach these features, there will be a risk of injury.

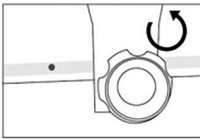
### Instructions for use

- Position the appliance so that the on/off switch is facing the user.
- If the blade sharpener has not been installed, proceed as follows:
  - Position the blade sharpener in its support so that the blade does not extend between the gears.
  - Tighten the safety screw on the blade sharpener.
  - Note! The appliance is equipped with a safety switch and will turn off automatically if the sharpening device is removed)
- Push the plug in the wall socket.
- Turn the dial with the graduated scale to the desired slice thickness.
- Switch ON the appliance by pressing the "WHITE (I)" button of the ON/OFF switch.
- Put the food product on the carriage and adjust the clamp to hold the product firmly in place. Make sure the product is positioned against the stop plate.
- Once the product has been sliced, switch OFF the appliance by pressing the "BLACK (O)" button of the ON/OFF switch.
- Turn the thickness dial back to "0".

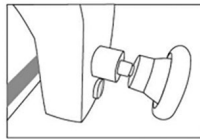
EN

### How to Lock the slicer

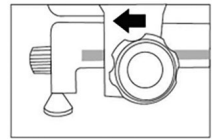
① To turn the knob in anti-clockwise direction



② Continue to turn the knob until it is loosen COMPLETELY

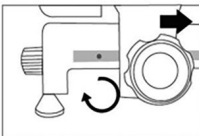


③ Move the carriage to the proper position, the slicer will be locked automatically



### How to Unlock the slicer

① To turn the knob in clockwise direction to unlock the slicer. The knob should be turned COMPLETELY to tighten the carriage



## Loading and slicing of foodstuffs

**WARNING: Products to be cut must be loaded on the food tray only when the dial knob is set to the "0" position. Pay attention to the blade and the sharp edges.**

The procedure is as follows:

- once the product has been loaded onto the food tray and placed against the plate, stop it with the arm provided with gripping points;
- adjust the dial knob so as to obtain the desired cutting thickness;
- to avoid accidents, the operator has to face the machine and adopt a correct position: put the ring hand on the meat pusher, and then the left one beside the deflector (**do not touch the blade**); the body must be perpendicular to the working surface (see FIG. 1a). **WARNING: Pay maximum attention: no part of your body should contact the blade** (see FIG. 1b);

- push the switch-on button "1";
- smoothly push the carriage (food tray + meat pusher + stem) towards the blade without exerting pressure on foodstuffs with the meat pusher since they have their own force of gravity which exerts pressure on the thickness gauge. The blade will easily cut foodstuffs and slicers will be guided by the deflector onto the collecting plate (see FIG. 2);
- do not operate the slicer without foodstuffs;
- once foodstuffs have been cut, set the dial knob in the "0" position and switch off the machine by setting the switch to the "0" position;
- sharpen the blade as soon as slices show a rough or frayed surface and the cutting becomes difficult (see Sharpening the blade).

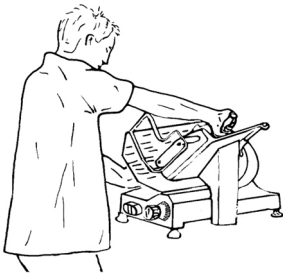


Fig. 1a. Right position



Fig. 1b. Bad position

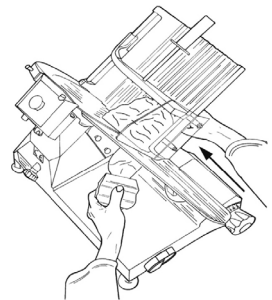


Fig. 2. Cutting meat



## Sharpening the blade

**WARNING:** Before proceeding with blade sharpening, remain alert to the **RESIDUAL RISKS** (see **Electrical safety system**) that refer to the hazard of injury if the instructions below are not followed.

The blade must be sharpened periodically and as soon as it becomes blunt; the detailed instructions below are to be followed:

- clean the blade accurately with alcohol to remove grease after the plug has been disconnected from the socket;
- unscrew the knob (1, Fig.3a), lift (a) the sharpener (2, Fig.3a) up to the locking position and rotate it 180°.  
Then let it move to the end so that the blade is positioned between the two sharpeners. Lock the knob;
- switch-on the slicer by pushing the button "I" (ON);
- push the small button (3, Fig. 3b), let the blade rotate against the sharpener for 30/40 sec. to produce a sharp burr on the blade edge;
- push buttons simultaneously for 3/4 seconds (1 and 2, Fig 3c) and then leave them simultaneously;
- it is recommended to clean the sharpeners upon the end of sharpening (see **Cleaning of the sharpener**);
- once sharpening has been completed, return the slice to its original setting with the reverse procedure.
- after sharpening, the blade should be cleaned (See **Cleaning of the blade guard and blade**)

**NOTE:** Do not prolong the burring operation beyond 3/4 sec. in order to prevent the dangerous twisting of the blade cutting edge.

The blade should be replaced when it cannot be sharpened any further or when the gap between edge of the blade and the blade guard exceeds 6 mm.

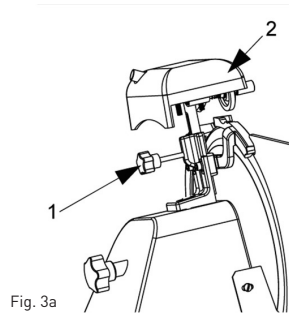


Fig. 3a

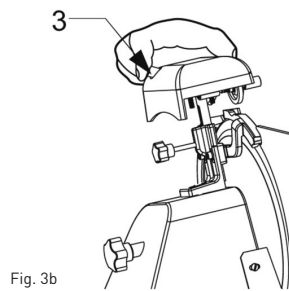


Fig. 3b

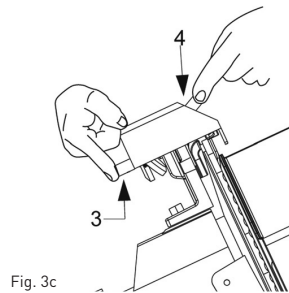


Fig. 3c

## Ordinary cleaning

### General features

- The slicer cleaning must be carried out at least once a day or more frequently, if necessary.
- Cleaning must be extremely accurate for those parts of the slicer which are directly or indirectly in contact with foodstuffs.
- The slicer must not be cleaned with water-cleaner and high pressure water jets; use water and neutral detergent instead. **Do not use other detergents.** Tools, brushes and other devices likely to damage the slicer's surface must not be used.

### Slicer cleaning procedure

#### Cleaning of the food tray

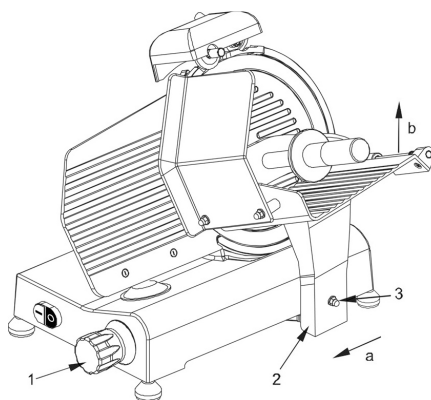
The carriage (food tray + arm + stem) is easily removable:

- set the dial knob in the "0" position (1);
- set the carriage (2) at the end of its run (a) near the controls;
- unscrew the screw (3), slide the carriage upwards (b);
- after having removed the carriage, it is possible to clean accurately the food tray with hot water and neutral detergent (pH 7).

Before carrying out any cleaning operation it is necessary to:

- disconnect the power supply plug from the socket to isolate the slicer from the rest of the electric circuit completely;
- set the dial knob adjusting the plate to the "0" position.

**WARNING: Pay attention to residual risks due to cutting and/or sharp edges. Wear protective gloves (not supplied) if necessary.**



Carriage removal

#### Cleaning of the blade guard and blade

- Remove the blade guard cover by unscrewing the pin at the back of the appliance (see Fig. 4).

**WARNING: The blade cleaning must be carried out with a wet cloth with metal gloves on.**

To clean the opposite surface of the blade it is necessary to remove the blade (see Fig. 5).

The blade is to be removed as follows:

- disassemble the blade guard (see Fig. 5);
- remove the sharpener (a) and turn the thickness blade with the dial knob to make the Plexiglas blade removal tool (b) (not supplied) adhere to the blade;
- loosen the 3 or 4 screws (f) (according to the model) that fix the blade;

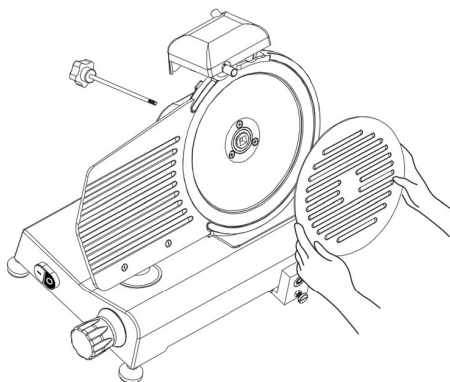


Fig. 4 - Blade guard removal

- lean the Plexiglas blade removal tool on the blade to obtain the coupling of the blade holes with the two screws (e), turn the blade until it reaches the correct position;
- slightly tighten the screw (e).

**WARNING: The blade guard must be cleaned with hot water and neutral detergent.**

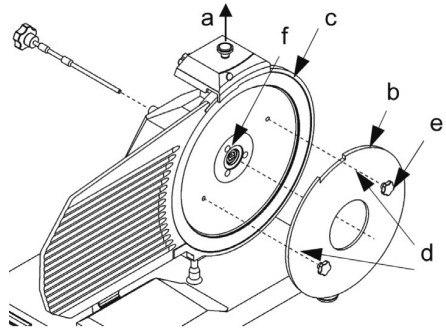


Fig. 5 - Assembling the Plexiglas blade removal tool (b)

### Cleaning of the sharpener

The sharpener cleaning operation is carried out by rubbing the grinding moles with a brush. The moles must be placed in the safety position which

means that they must be turned towards the side opposite to the blade.

### Cleaning of the deflector

To remove the deflector unscrew the two screws (a) locking the deflector (see Fig. 6).

Clean the deflector with hot water and neutral detergent.

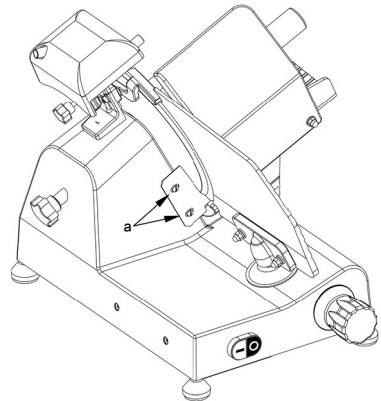


Fig. 6 - View of the deflector

## Maintenance

### General features

Before starting maintenance it is necessary to:

- Disconnect the power supply cord plug from the socket to isolate the slicer from the electric circuit completely.

- Place the dial knob adjusting the thickness plate in the "0" position.

### Belt

The belt is not to be adjusted. Generally, it must be replaced after 3 or 4 years; in this case please call your authorized "SERVICE CENTER".

### Feet

Feet may deteriorate and lose elasticity, thus reducing the stability of the slicer. In this case they must be replaced. Call your authorized "SERVICE CENTER" to replace the feet.



### Power supply cord

Periodically check the power supply cord for any symptoms of worn-out and, if this is the case, please call the "SERVICE CENTER" to have it replaced.

### Blade

Check that the blade does not lose more than 10mm of its original diameter. To have it replaced call the "SERVICE CENTER".

### Sharpener - grinding moles

Check that the grinding moles retain their abrasive property during sharpening operations. Call the "SERVICE CENTRE" if it is necessary to replace the grinding moles to prevent the blade damage.

### Lubrication of sliding guides

From time to time you can add some oil drops onto the round sliding guide along which the carriage moves back and forth. This operation can be performed through the opening (OIL) next to the dial knob.

### Label of the push-button panel

If the labels of the push-button panel have been damaged, call the "SERVICE CENTER" for replacement.

---

### Machine disposal

#### Putting the machine out of service

If for some reason there is a necessity to put the machine out of service, make sure nobody can use it; disconnect it from the mains and eliminate any the electrical connections.

EN

### Storage

- Before storage, always make sure the appliance has already been disconnected from the electrical outlet and cooled down completely.
- Store the appliance in a cool, clean and dry place.

---

### Troubleshooting

If the appliance does not function properly, please check the below table for the solution. If you are still unable to solve the problem, please contact the supplier/service provider.

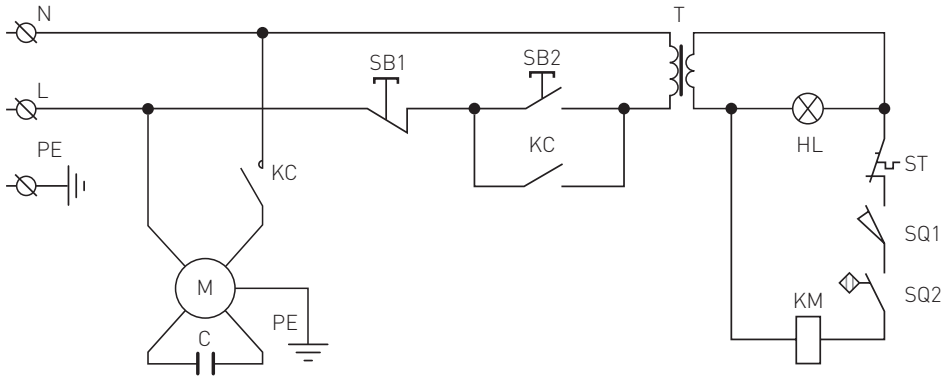
Problem	Possible cause	Solution
Appliance does not slice evenly	Blunt blade	Sharpen blade
	Dirty appliance	Clean the appliance
Appliance stops slicing	Overheated motor	Let the machine cool off for an extended period. The motor's safety thermostat will reset itself automatically.
Carriage does not slide	Dirty slide bar	Clean the slide bar and lubricate with Vaseline
	Some food stick to the blade.	Switch off the appliance & unplug it. Let it come to a complete stop. Remove any blockage. Wipe the blade with a damp cloth.
Blade stops when product is being cut	v-belt worn out or dirty	Contact the supplier.

**When in doubt, always contact your supplier!**



## Circuit diagram for 210000, 210017, 210031, 210048, 210086, 970294

AC voltage input: AC220-240V 50Hz



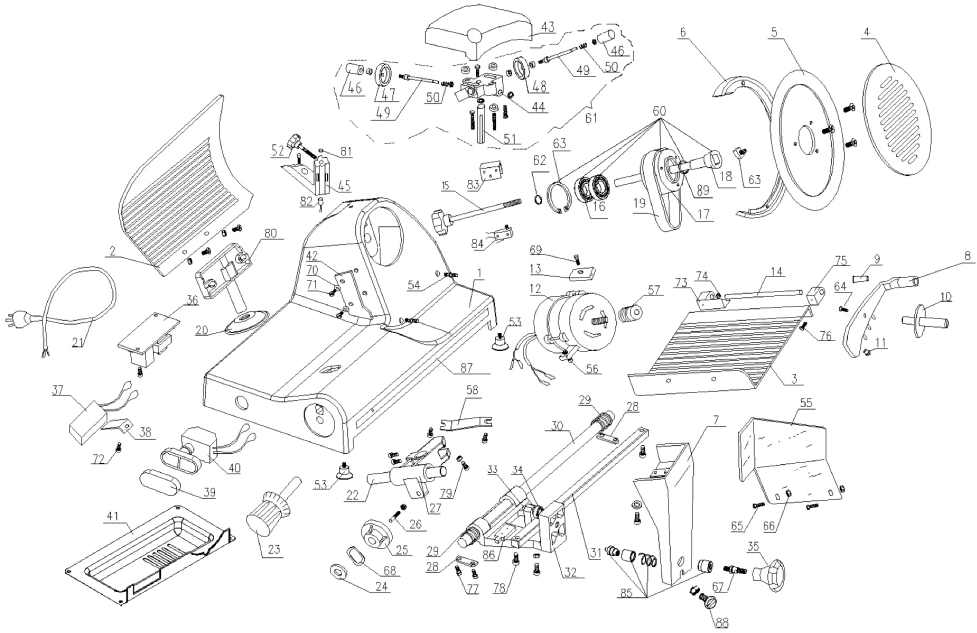
M : Motor  
T : Transformer  
C : Capacitor  
PE : Protective earthing (Grounding)  
L : Live  
N : Neutral

SB1, SB2 : Switch  
KC : Relay  
HL : Indicator lamp  
ST : Thermal cut-out  
SQ1, SQ2 : Micro switch

EN



**Part list (Item no: 210000, 210031, 210048, 210086, 970294)**



EN

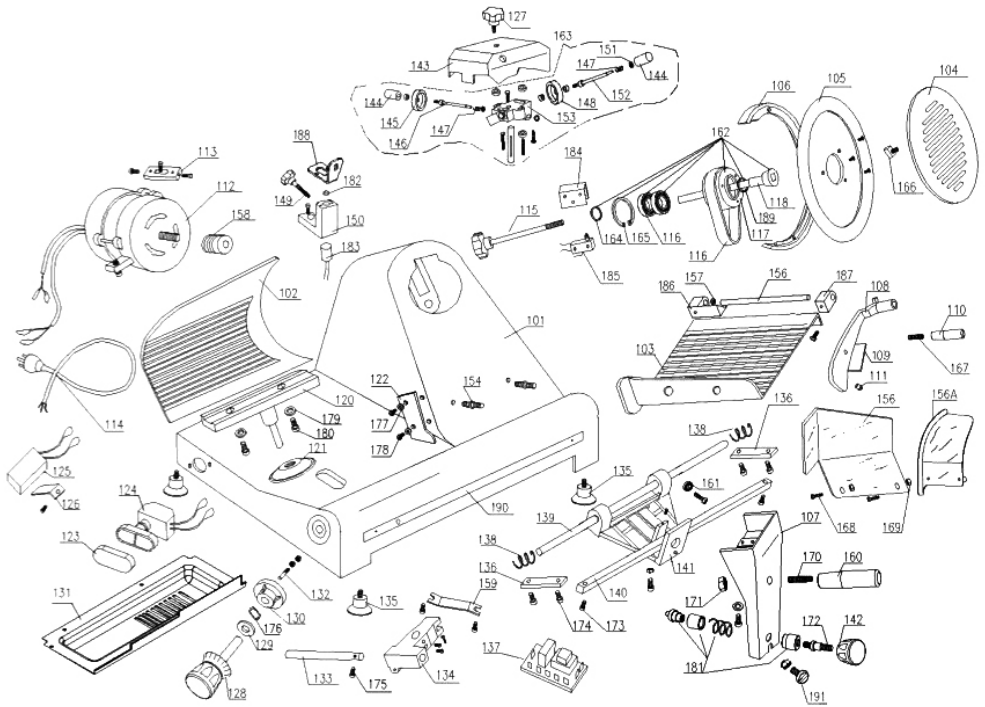
Part no.	Part name	Quantity	Part no.	Part name	Quantity
1	Encloser	1	20	Slide mulch	1
2	Active clapboard	1	21	Power line	1
3	Food salver	1	22	Slide axle	1
4	Blade guard disc	1	23	Knob with scale	1
5	Blade	1	24	Spring gasket	1
6	Blade guarding ring	1	25	Cam	1
7	Tray bracket	1	26	Cam osculant staff	1
8	Food and fixed-arm	1	27	Slider	1
9	Fixed-arm bushing	1	28	Slide axle briquetting	2
10	Fixed-arm handle	1	29	Spring of towing bracket axle	2
11	Plastic granule	1	30	Towing bracket axle	1
12	Motor	1	31	Quadrante axis	1
13	Motor briquetting	1	32	Towing bracket	1
14	Fixed-arm pin Ø12x185	1	33	M8x35Hexagonal screw	1
15	Blade guard bolts	1	34	Ball bearing 607	1
16	Ball bearing 6202	2	35	Towing bracket cover knob	1
17	Blade belt wheel Ø66	1	36	Relay	1
18	Pin of belt wheel	1	37	Capacitor	1
19	BeltSV.330	2	38	Capacitor retainer	1



Part no.	Part name	Quantity	Part no.	Part name	Quantity
39	Button mulch	1	65	Fixed-arm handle bolt	1
40	Button switch	1	66	Finger baffle bolt	2
41	Motherboard	1	67	Finger baffle nut	2
42	Meatscraper	1	68	Bracket knob bolt	1
43	Sharpener mulch	1	69	Undee spring gasket	1
44	Sharpener base of subassembly	1	70	Motor impacted bolt	1
45	Sharpener base of assembled	1	71	Meat scraping shim	2
46	Button of sharpener	2	72	Meat scraper bolt	2
47	Fine grinding wheel Ø45	1	73	Capacitor fixation clamp bolt	1
48	Crude grinding wheel Ø45	1	74	Tray bearing cover A	1
49	Pin of rubbing stone	2	75	Meat board bracket	1
50	Spring	2	76	Tray bearing cover B	1
51	Pin of sharpener bracket	1	77	Cross recessed countersunk head M6×12	2
52	Sharpener tighten knob	1	78	Slide axle briquetting bolt	4
53	Active clapboard mandril	1	79	Quadrate axis locking screw	2
54	Rubber foot	4	80	Slider adjust bolt	1
55	Pin of blade guarding ring	2	81	Magnet	1
56	Meat blocking board	1	82	Magnet switch	1
57	Slide axle bracket	2	83	Aluminium block	1
58	Small belt wheel of motor	1	84	Microswitch	1
59	Slide driver	1	85	Stainless steel lock	1
60	Belt wheel setting	1	86	Limited block	1
61	Sharpener setting	1	87	Stainless steel bar	1
62	Ø15 Spring gasket for bearing	1	88	Set screw for tray bracket	1
63	Ø15 Spring gasket for bearing	1	89	Oil seal	1
64	Blade guard disc square-head nut	1			



## Part list (Item no: 210017)



Part no.	Part name	Quantity	Part no.	Part name	Quantity
101	Encloser	1	119	Belt SV.400	2
102	Active clapboard	1	120	Supportng base	1
103	Food salver	1	121	Cable jacket	1
104	Guarding blade disc	1	122	Mearscraper	1
105	blade	1	123	Button mulch	1
106	Blade guarding ring	1	124	Button switch	1
107	Tray bracket	1	125	Capacitor	1
108	Food fixed-arm	1	126	Capacitor retainer	1
109	Fixed-arm bushing	1	127	Screw of oriented staff	1
110	Handle	1	128	Knob with scale	1
111	Plastic granule	1	129	Spring gasket	1
112	Motor	1	130	Cam 300	1
113	Motor briquetting	1	131	Motherboard	1
114	Power line	1	132	Cam osculant pin	1
115	Blade guard bolts	1	133	Sliding axle	1
116	Ball bearing6204	2	134	Slider	1
117	Belt wheel	1	135	Rubber foot	4
118	Pin of belt wheel	1	136	Sliding axle briquetting	2



Part no.	Part name	Quantity	Part no.	Part name	Quantity
137	Relay	1	165	Ø 47 Spring gasket for hole	1
138	Spring of sliding axle	2	166	Blade guard disc square-head nut	1
139	Towing bracket sliding axle	1	167	Fixed-arm handle bolt	1
140	Quadrate axis	1	168	Finger baffle bolt	2
141	Towing bracket	1	169	Finger baffle nut	2
142	Button of towing bracket	1	170	Bracket knob bolt	1
143	Sharpener mulch	1	171	Bracket knob nut	1
144	Button	2	172	Bracket bottom bolt	1
145	Fine grinding wheel Ø 45	1	173	Quadrate axis locking screw	2
146	Pin of burr cleaning wheel	2	174	Slide axle briquetting bolt	4
147	Spring of burr cleaning wheel	2	175	Slide axle bolt	1
148	Crude grinding wheel Ø 45	2	176	Ø 12 Under spring gasket	1
149	Sharpener tighten knob	1	177	Meat scraping shim	2
150	Supporting base of outer ring	1	178	Meat scraper bolt	1
151	Ø 4.751 Wheel	1	179	Fulcrum bearing shim	2
152	Pin of rubbing stone	1	180	Fulcrum bearing bolt	2
153	Sharpener base of subassembly	1	181	Stainless steel lock	1
154	pin of blade guading ring	2	182	Magnet	1
155	Pin of food tray	1	183	Magnet switch	1
156/156A	Meat blocking board	1	184	Limited block	1
157	Bracket of sliding axle	1	185	Microswitch	1
158	Small belt wheel of motor	1	186	Tray bearing cover A	1
159	Slide transmitting wheel	1	187	Tray bearing cover B	1
160	Towing bracket handle	1	188	Fulcrum bearing shim	1
161	Sliding axle608	1	189	Oil seal	1
162	Belt wheel setting	1	190	Stainless steel bar	1
163	Sharpener setting	1	191	Set screw for tray bracket	1
164	Ø 20 Spring gasket for bearing	1			



## Technical specifications

Item no.	210031	210048	210000	210017	210086	970294
Operating voltage and frequency	220-240V~ / 50 Hz					
Rated input power	200W	280W	320W	420W	320W	280W
Blade diameter	195 mm	220 mm	250 mm	300 mm	250 mm	220 mm
Waterproof protection class	IP33					
Protection class	Class I					
Noise level	< 70 dB (A)					
Dimension	400x400x (H)330 mm	440x420x (H)350 mm	485x420x (H)395 mm	600x480x (H)450 mm	485x420x (H)395 mm	440x420x (H)350 mm
Net weight (approx)	13.5 kg	14 kg	16 kg	26 kg	16 kg	14 kg

**Remark: Technical specification is subjected to change without prior notification.**

## Warranty

Any defect affecting the functionality of the appliance which becomes apparent within one year after purchase will be repaired by free repair or replacement provided the appliance has been used and maintained in accordance with the instructions and has not been abused or misused in any way. Your statutory rights are not affected. If the appliance is claimed under warranty, state where and

when it was purchased and include proof of purchase (e.g. receipt).

In line with our policy of continuous product development we reserve the right to change the product, packaging and documentation specifications without notice.

## Discarding & Environment

When decommissioning the appliance, the product must not be disposed of with other household waste. Instead, it is your responsibility to dispose of your waste equipment by handing it over to a designated collection point. Failure to follow this rule may be penalized in accordance with applicable regulations on waste disposal. The separate collection and recycling of your waste equipment at the time of disposal will help conserve natural re-


sources and ensure that it is recycled in a manner that protects human health and the environment.

For more information about where you can drop off your waste for recycling, please contact your local waste collection company. The manufacturers and importers do not take responsibility for recycling, treatment and ecological disposal, either directly or through a public system.

Sehr geehrter Kunde,

Vielen Dank für den Kauf dieses HENDI Gerät. Lesen Sie dieses Handbuch sorgfältig und achten Sie besonders auf die unten aufgeführten Sicherheitsvorschriften, bevor Sie dieses Gerät zum ersten Mal installieren und verwenden.

## Sicherheitsvorschriften

- Dieses Gerät ist nur für den gewerblichen Gebrauch bestim.
- Verwenden Sie das Gerät nur für den vorgesehenen Zweck, für den es entworfen wurde, wie in diesem Handbuch beschrieben.
- Der Hersteller haftet nicht für Schäden, die durch fehlerhafte Bedienung und unsachgemäße Verwendung verursacht werden.
- Halten Sie das Gerät und den elektrischen Stecker von Wasser und anderen Flüssigkeiten fern. Falls das Gerät in Wasser fällt, entfernen Sie sofort den Netzstecker von der Steckdose. Verwenden Sie das Gerät erst, wenn es von einem zertifizierten Techniker überprüft wurde. Die Nichtbefolgung dieser Anweisungen führt zu lebensbedrohlichen Risiken.
- Versuchen Sie niemals, das Gehäuse des Geräts selbst zu öffnen.
- Legen Sie keine Objekte in das Gehäuse der Appliance ein.
- Berühren Sie den Stecker nicht mit nassen oder feuchten Händen.
-  **Gefahr eines elektrischen Schlags!** Versuchen Sie nicht, das Gerät selbst zu reparieren, Reparaturen sind nur von qualifiziertem Personal durchzuführen.
- **Verwenden Sie niemals ein beschädigtes Gerät!** Wenn es beschädigt ist, trennen Sie das Gerät von der Steckdose und wenden Sie sich an den Händler.
- **Warnung!** Tauchen Sie die elektrischen Teile des Geräts nicht in Wasser oder andere Flüssigkeiten ein.
- Halten Sie das Gerät niemals unter fließendem Wasser.
- Überprüfen Sie regelmäßig den Netzstecker und das Kabel auf Beschädigungen. Bei Beschädigung muss es durch einen Dienstleister oder eine ähnlich qualifizierte Person ersetzt werden, um Gefahren oder Verletzungen zu vermeiden.
- Stellen Sie sicher, dass das Kabel nicht mit scharfen oder heißen Gegenständen in Berührung kommt und halten Sie es von offenem Feuer fern. Ziehen Sie niemals das Netzkabel, um es von der Steckdose zu trennen, ziehen Sie stattdessen immer den Stecker.
- Stellen Sie sicher, dass das Netzkabel und/oder das Verlängerungskabel keine Auslösegefahr verursachen.
- Lassen Sie die Appliance während des Gebrauchs niemals unbeaufsichtigt.
- **Warnung!** Solange sich der Stecker in der Steckdose befindet, wird das Gerät an die Stromquelle angeschlossen.
- Schalten Sie die Appliance aus, bevor Sie sie vom Sockel trennen.
- Schließen Sie den Netzstecker an eine leicht zugängliche Steckdose an, so dass das Gerät im Notfall sofort abgenommen werden kann.




DE



- Tragen Sie das Gerät niemals an der Schnur.
- Verwenden Sie keine zusätzlichen Geräte, die nicht zusammen mit der Appliance geliefert werden.
- Schließen Sie das Gerät nur an eine Steckdose mit der Spannung und Frequenz an, die auf dem Etikett des Gerätes angegeben ist.
- Verwenden Sie niemals anderes Zubehör als das vom Hersteller empfohlene Zubehör. Andernfalls könnte ein Sicherheitsrisiko für den Benutzer darstellen und das Gerät beschädigen. Verwenden Sie nur Originalteile und Zubehör.
- Dieses Gerät sollte nicht von Personen mit eingeschränkter körperlicher, sensorischer oder geistiger Leistungsfähigkeit oder von Personen mit mangelnder Erfahrung und Kenntnisnahme betrieben werden.
- Dieses Gerät sollte unter keinen Umständen von Kindern verwendet werden.
- Bewahren Sie das Gerät und das Netzkabel außerhalb der Reichweite von Kindern auf.
- **ACHTUNG:** Schalten Sie das Gerät immer aus und ziehen Sie es vor der Reinigung, Wartung oder Lagerung von der Steckdose ab.

---

## Besondere Sicherheitsvorschriften

-  **HINWEIS!** Vor Reinigung, Wartung und Reparatur den Netzstecker ziehen!
-  **HINWEIS!** Handhabung durch zwei Personen erforderlich!!
-  **HINWEIS!** Bedienungsanleitung vor Betrieb, Reinigung und Wartung lesen!

- Die zu schneidenden Produkte müssen aufgetaut, ausgepackt und frei von Knochen sein. Verwenden Sie das Gerät nicht zum Schneiden von Tiefkühlkost, Gemüse oder zu anderen Zwecken.
- Verwenden Sie das Gerät ausschließlich gemäß dieser Anleitung.
- Die Verwendung des Geräts für andere Zwecke kann zu seiner Beschädigung oder zu Körperverletzungen führen.
- Dieses Gerät darf nur von geschultem Personal bedient werden.
- Stellen Sie das Gerät nicht auf einen wärmemittehenden Gegenstand (Gasherd, Elektroherd, usw.). Das Gerät ist weit entfernt von heißen Oberflächen und offenem Feuer zu lagern. Stellen Sie das Gerät auf eine ebene, stabile, horizontale, saubere und trockene Fläche auf, die auch gegen die Einwirkung hoher Temperaturen beständig ist.
- **Achtung!** Es besteht die Verletzungsgefahr! Bei der Handhabung des Messers muss man sehr vorsichtig sein, insbesondere beim Ausbau der Klinge. Falls notwendig, tragen Sie die Schutzhandschuhe (nicht mitgeliefert).
- **Achtung!** Das Stromkabel muss so gesichert werden, dass man nicht darüber stolpern oder stürzen kann.
- Benutzen Sie das Gerät nicht, bevor das Messer, der Messerschutz und der Ablageteller nicht ordnungsgemäß zusammengesetzt sind.

- Das Gerät darf nicht in der Nähe von explosiven oder leicht brennbaren Materialien, Zahlkarten, Magnetscheiben oder Rundfunkempfängern verwendet werden.
- An den Sicherheitsblockaden darf absolut nicht manipuliert werden.
- **WARNUNG:** Die Belüftungsöffnungen des Gerätes dürfen nicht verdeckt werden.
- **WARNUNG:** Denken Sie IMMER vor dem Reinigen, der Wartung oder dem Zubehörwechsel an das Ausschalten und Abtrennen des Gerätes von der Stromversorgungsquelle.
- **WARNUNG!** Man muss IMMER daran denken, dass keine lose Kleidung getragen wird und die beweglichen Teile des Gerätes mit den Händen berührt werden sowie die Haare zusammengebunden sind.
- Ebenso ist ein Raum von mindestens 20 cm rundum das Gerät abzusichern, um die entsprechende Belüftung während der Nutzung zu gewährleisten.
- **WARNUNG!** Beim Berühren der Trennscheiben muss man besonders vorsichtig sein. Falls notwendig, sind Schutzhandschuhe zu tragen (sind dem Gerät nicht beigelegt).

---

### Verwendungszweck des Gerätes

- Das Gerät ist für den professionellen Einsatz geeignet.
- Das Gerät ist nur zum Schneiden von Lebensmitteln bestimmt, z. G. Fleisch, Käse, Brot usw. Die Verwendung des Gerätes für andere Zwecke kann zu seiner Beschädigung sowie zu Körperverletzungen führen.
- Jede andere Verwendung des Gerätes gilt als nicht bestimmungsgemäß. Der Benutzer ist allein verantwortlich für die unsachgemäße Nutzung des Gerätes.

---

### Erdungsinstallation

Dieses Gerät ist als **Schutzklasse I** eingestuft und muss mit einer Schutzerde verbunden werden. Die Erdung reduziert das Risiko eines elektrischen Schlags, indem ein Fluchtkabel für den elektrischen Strom bereitgestellt wird. Dieses Gerät ist

mit einem Netzkabel mit einem Erdungskabel und einem geerdeten Stecker ausgestattet. Der Stecker muss in eine Steckdose gesteckt werden, die ordnungsgemäß installiert und geerdet ist.

---

### Informationen über die schneidemaschine

#### Allgemeine vorsichtsmassnahmen

- Die Schneidemaschine darf nur von entsprechend qualifizierten Personen bedient werden, die sich mit den in der Anleitung beschriebenen Sicherheitsmaßnahmen vertraut gemacht haben.
- Bei Personaländerungen ist eine Schulung durchzuführen.
- Obwohl die Schneidemaschine mit Schutzeinrichtungen für die gefährdeten Stellen ausgerüstet ist, wird empfohlen, weder die Messer noch die beweglichen Elemente zu berühren.
- Vor Beginn der Wasch- und Wartungsarbeiten ist die Schneidemaschinen von der Stromversorgung zu trennen.
- Man muss auf das Restrisiko achten, wenn die Schutzeinrichtungen zum Waschen und für die Wartung abgenommen sind.
- Das Waschen und die Wartung erfordern höchste Konzentration.
- Die regelmäßige Kontrolle der Stromversorgungsleitung ist absolut notwendig. Eine verschlissene oder beschädigte Leitung kann ein großes Risiko für einen Stromschlag sein.
- Wenn die Schneidemaschine nicht richtig funktioniert, wird empfohlen, die Nutzung zu beenden, aber keine selbstständige Reparatur durchzuführen. Bitte setzen Sie sich mit einem autorisierten Service in Verbindung.



- Die Schneidemaschine darf nicht zum Schneiden weder für gefrorene Produkte, Fleisch mit Knochen oder Fisch mit Gräten noch für andere Produkte als Lebensmittel verwendet werden.
- Die Schneidemaschine bitte nicht ohne Andrückelement benutzen, wenn zum Schneiden noch ein kleines Stück Fleisch verblieben ist.
- Keine unsichere Position einnehmen, das Messer kann zu Verletzungen führen.

Der Hersteller und/oder der Verkäufer haftet nicht in folgenden Fällen:

- wenn eine unbefugte Person einen Eingriff in die Schneidemaschine vorgenommen hat;
- wenn einige Teile nicht gegen Originalersatzteile ausgetauscht wurden;
- wenn die im vorliegenden Dokument enthaltenen Anleitungen nicht genau eingehalten wurden;
- wenn die Schneidemaschine nicht mit den entsprechenden Produkten gereinigt bzw. geölt wurde.

### Sicherheitssysteme in der Schneidemaschine

Die Schneidemaschine ist wie folgt ausgerüstet:

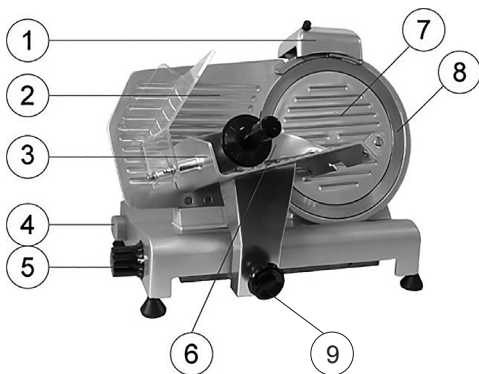
- Mikroschalter, der die Schneidemaschine ausschaltet, wenn die Befestigungsscheibe für die Abdeckung des Messers abgenommen wurde; der Mikroschalter lässt keine erneute Inbetriebnahme der Schneidemaschine, wenn die Abdeckung nicht in der Ausschaltposition eingestellt ist.
- Relais im Steuerschrank, das die erneute Inbetriebnahme der Schneidemaschine beim Auftreten einer Unterbrechung in der Stromzufuhr erzwingt.

Auch wenn die Aufschnittmaschinen mit elektrischen und mechanischen Schutzvorrichtungen ausgestattet sind (beim Betrieb der Aufschnittmaschine und bei Wartungs- und Reinigungsarbeiten), gibt es dennoch **RISIKEN**, die nicht vollständig ausgeschlossen werden können; diese Risiken sind in dieser Anleitung unter **WARNUNG** aufgeführt. Die Klinge und andere Teile der Maschine können Schnittwunden und Verletzungen verursachen.

DE

### Hauptbestandteile des Geräts

- 1 Schleifvorrichtung für Messer
- 2 Anschlag
- 3 Wagen
- 4 Ein-/Ausschalter  
[Weiß (I): EIN; Schwarz (O): AUS]
- 5 Dickeneinstellungsknopf
- 6 Fingerschutz
- 7 Messerschutz
- 8 Messer
- 9 Wagenverriegelung
- 10 Messerschutz Schraube  
(wird nicht angezeigt)

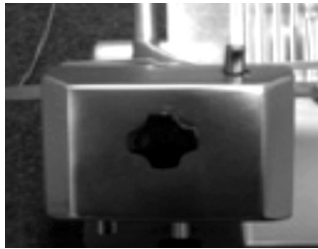


## Vorbereitung der erstmaligen Inbetriebnahme

- Prüfen Sie, ob alle Teile geliefert wurden. Bitte setzen Sie sich mit Ihrem Lieferanten in Verbindung, wenn Teile fehlen.
- Die gesamte Verpackung entfernen.
- Bewahren Sie die Verpackung auf, wenn Sie Ihr Gerät in Zukunft lagern wollen.
- Überprüfen Sie das Gerät auf Vollständigkeit sowie Transportschäden. Wenden Sie sich im Falle einer unvollständigen Lieferung oder Beschädigung sofort an den Lieferanten. Verwenden Sie das Gerät in einem solchen Fall NICHT. (Siehe ==> Garantie).
- Das Messer reinigen. Vorsicht! Das Messer ist sehr scharf. (Verwenden Sie Handschuhe falls nötig, diese sind im Lieferumfang nicht enthalten)
- Die Maschine sollte für die Ventilation einen Freiraum von mindestens 10 cm haben.
- Die Maschine dermaßen aufstellen, dass der Stecker jederzeit zu erreichen ist.
- Wurde die Schleifvorrichtung nicht montiert, bitte folgendermaßen vorgehen:



1. Draufsicht der Maschine



2. Das Schleifmodul so einbauen, dass das Messer nicht durch die Schleifrädchen läuft.

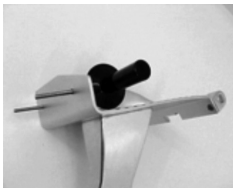


3. Die Schleifvorrichtung der Maschine sichern, indem Sie den Haltering anziehen. Vor der Inbetriebnahme der Maschine die Festigkeit der Schleifvorrichtung prüfen.

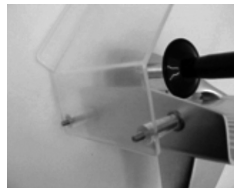
DE

**ACHTUNG!** Aus Sicherheitsgründen kann das Gerät nur nach Montage der Schleifvorrichtung in Betrieb genommen werden

- Den Handschutz einbauen



1. Beide Schrauben in den Schlitten stecken.



2. Den Handschutz platzieren.



3. Die beiden Unterlegscheiben platzieren.



4. Die beiden Kapselmuttern anziehen.

**ACHTUNG:** Vom Gebrauch der Maschine ohne den vorgeschriebenen Einbau des Handschutzes wird abgeraten! Dabei handelt es sich um Sicherheitsvorrichtungen, die den Bediener vor möglichen Verletzungen schützen. Bauen Sie diese Vorrichtungen nicht ein, besteht Verletzungsgefahr.

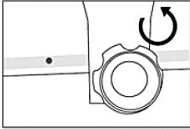


## Bedienungsanleitung

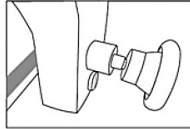
- Die Maschine so aufstellen, dass der Benutzer den Ein-/Ausschalter betätigen kann.
- Folgendermaßen vorgehen, wenn die Schleifvorrichtung nicht eingebaut wurde:
  - Die Schleifvorrichtung in die Halterung stecken, damit das Messer nicht durch die Räder läuft.
  - Die Sicherungsschraube der Schleifvorrichtung anziehen.
  - HINWEIS! Die Maschine hat einen Sicherheitschalter und schaltet sich selbsttätig aus, wenn die Schleifvorrichtung entfernt wird.
- Den Stecker in die Steckdose stecken.
- Die erwünschte Dicke einstellen, indem Sie den Knopf mit der Skala drehen.
- Schalten Sie das Gerät ein, indem Sie die Taste „WEISS (I)“ des EIN-/AUS-Schalters drücken.
- Das Schneidgut auf den Wagen legen. Das Produkt mit der dazu dienenden Klemme einklemmen. Das Produkt sollte sich am Anschlag befinden.
- Sobald das Produkt geschnitten wurde, schalten Sie das Gerät aus, indem Sie die „SCHWARZ (O)“-Taste des EIN-/AUS-Schalters drücken.
- Den Knopf der Dickeneinstellung wieder auf „0“ schalten.

## Sichern

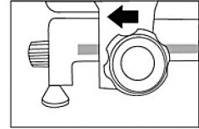
- ① Lösen Sie die Handschraube durch Drehen entgegen dem Uhrzeigersinn



- ② Drehen Sie die Handschraube solange bis diese vollständig gelöst ist

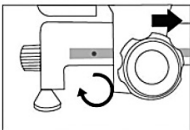


- ③ Schlitten nach links bewegen, bis der Schlitten spürbar einrastet. Die Maschine ist dann gesichert.



## Entsichern

- ① Zum Entriegeln drehen Sie die Handschraube im Uhrzeigersinn, bis sich die Arretierung spürbar löst. Die Maschine ist dann wieder entsichert





## Legen und schneiden von Lebensmitteln

**WARNUNG:** Die zum Schneiden vorgesehenen Produkte dürfen nur auf das Tablett für Lebensmittel gelegt werden, wenn sich das Einstellrad in der Stellung „0“ befindet; ebenso muss man besonders auf das Messer und die scharfe Kante achten.

Die Verfahrensweise ist wie folgt:

- Nach dem Ablegen des Produktes auf dem Lebensmitteltablett und dem Abstützen auf der Grundplatte, ist es durch einen Träger mit Halterungen zu blockieren;
- Einstellrad verdrehen, um die gewünschte Schnittbreite der Scheiben zu erhalten;
- Um Unfälle zu vermeiden, muss die die Schneidemaschine bedienende Person von vorn zum Gerät in der entsprechenden Position stehen: die rechte Hand auf das Andrückelement für Fleisch stützen, die linke Hand liegt neben dem Deflektor (**Messer nicht berühren**); der Körper muss in senkrechter Position zur Arbeitstischplatte sein (Siehe Abb. 1a).

- **WARNUNG:** Achten Sie besonders darauf, dass kein Körperteil Kontakt mit dem Messer haben kann (Siehe Abb.1b);
- Einschalttaste „I“ drücken;
- gleichmäßig den Wagen in Richtung Messer verschieben (Lebensmitteltablett + Andrückelement für Fleisch + Stütze), ohne dass die Lebensmittel mit dem Andrückelement angedrückt werden, da dies mit dem Eigengewicht erfolgt. Das Messer schneidet mit Leichtigkeit die Lebensmittel und die Scheiben werden durch den Deflektor auf das Tablett geführt (Siehe Abb. 2);
- die Schneidemaschine nicht ohne Lebensmittel bedienen;
- nach dem Schneiden der Lebensmittel ist das Einstellrad auf die Position „0“ zu stellen und das Gerät auszuschalten, indem der Schalter auf die Position „0“ gestellt wird;
- Wenn die geschnittenen Stücke nicht gleich oder gezackt sind, und das Schneiden erschwert wird, muss man das Messer schärfen (Siehe Schärfen des messers).

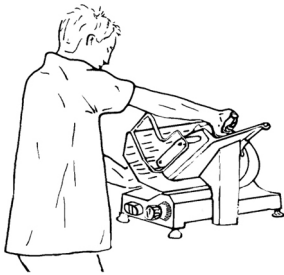


Abb. 1a. Richtige Position



Abb. 1b. Falsche Position

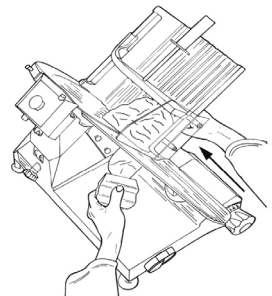


Abb. 2. Schneiden von Fleisch



## Schärfen des messers

**WARNUNG:** Vor Beginn des Messerschärfens muss man auf das **RESTRISIKO** achten (Siehe Elektronisches Sicherheitssystem), das sich auf das Verletzungsrisiko bei Nichtbeachtung der nachfolgenden Anleitungen bezieht.

Das Messer muss von Zeit zu Zeit geschärft werden, wenn es stumpf zu werden scheint. Dazu muss man folgende Anleitungen ausführen:

- Nach dem Trennen des Steckers von der Steckdose muss man das Messer gut mit Alkohol reinigen, um das Fett zu entfernen;
- das Einstellrad abdrehen (Pos.1, Abb.3a), die Schärfleinrichtung bis zur Position anheben (Pos.2, Abb.3a), in der sie blockiert und um 180° drehen. Danach schiebt man sie bis zum Ende, und zwar so, dass sich die Schneide des Messers zwischen zwei Schärfleinrichtungen befindet. Stellrad blockieren;
- Schneidemaschine einschalten, die Taste auf die Position „I“ (ON) umschalten;
- den Knopf (Pos.3, Abb.3b) drücken und ermöglichen, dass die Schneide des Messers ungefähr 30/40 Sek. lang an der Schärfleinrichtung reibt, bis sich an der Kante der Schneide des Messers Grat bildet;
- die Tasten (Pos. 3 und 4, Abb. 3c) 3-4 Sekunden lang drücken, danach gleichzeitig loslassen.
- nach Beenden des Schärfens wird das Reinigen der Schärfleinrichtung empfohlen (Siehe **Reinigen der Schärfleinrichtung**);
- nach Beenden des Schärfens die Schneidemaschine durch die Umkehrung des Verfahrens in den ursprünglichen Zustand zurückbringen.
- Nach dem Schärfen sollte die Klinge gereinigt werden (siehe **Reinigen des messers und der abdeckung des messers**).

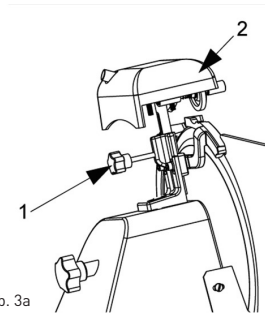


Abb. 3a

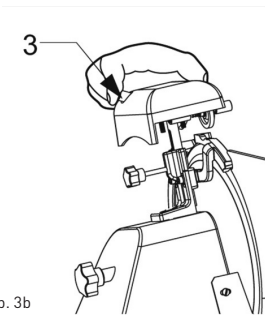


Abb. 3b

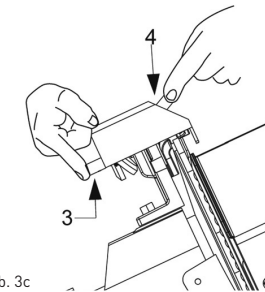


Abb. 3c

**HINWEIS:** Das Beseitigen des Grates nicht über 3-4 Sekunden hinziehen, damit gefährliche Krümmungen der Schneidkante vermieden werden.

Die Klinge sollte ausgetauscht werden, wenn sie nicht weiter geschärft werden kann oder wenn die Lücke zwischen der Kante der Klinge und dem Messerschutz 6 mm überschreitet.

## Standardmässiges reinigen

### Allgemeine eigenschaften

- Das Reinigen der Schneidemaschine muss man mindestens einmal täglich oder häufiger durchführen – je nach Bedarf.
- Das Reinigen der Teile der Schneidemaschine, die direkt oder indirekt mit Lebensmitteln in Berührung kommen, sollte besonders genau erfolgen.
- Die Schneidemaschine darf weder mit der Spülmaschine als auch mit einem Wasserstrahl unter Druck gereinigt werden; man muss Wasser und ein neutrales Reinigungsmittel verwenden. **Verwenden Sie keine anderen Reinigungsmittel!** Ebenso dürfen keine Werkzeuge, Bürsten und andere Gegenstände verwendet werden, welche die Oberfläche der Schneidemaschine beschädigen, zum Einsatz kommen.

Vor Reinigungsbeginn muss man unbedingt:

- den Stecker der Stromversorgung aus der Steckdose ziehen, damit die Schneidemaschine völlig vom Strom getrennt wird;
- das Einstellrad auf die Position „0“ stellen.

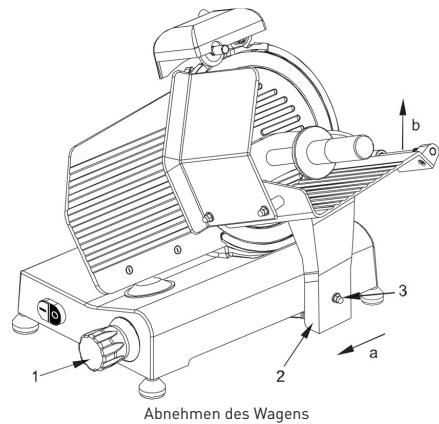
**WARNUNG: Achten Sie auf das Restrisiko, das durch die schneidenden und/oder scharfen Flächen hervorgerufen werden kann. Falls notwendig, tragen Sie die Schutzhandschuhe (nicht mitgeliefert).**

## Verfahrensweise beim reinigen der schneidemaschine

### Reinigen des tablett für lebensmittel

Den Wagen (Lebensmitteltablett + Arm + Stütze) kann man leicht demontieren:

- das Einstellrad auf die Position „0“ (1) stellen.
- den Wagen (Pos. 2) an das Ende des Vorschubs (Pos. a), in die Nähe der Steuerelemente stellen;
- die Schraube (Pos. 3) abschrauben, den Wagen nach oben verschieben (Pos. b);
- nach dem Abnehmen des Wagens kann man das Lebensmitteltablett mit heißem Wasser und neutralem Reinigungsmittel (pH 7) genau säubern.



## Reinigen des messers und der abdeckung des messers

- Entfernen Sie die Messerschutzabdeckung, indem Sie den Stift auf der Rückseite des Geräts herausdrehen. (Siehe Abb. 4).

### **WARNUNG: Das Messer muss man mit einem nassen Lappen, in Metallhandschuhen, reinigen.**

Um das Messer von der anderen Seite zu waschen, muss man es abnehmen (Siehe Abb. 5 ).

Das Messer wird wie folgt abgenommen:

- Abdeckung des Messers abnehmen (Siehe Abb. 5 );
- Schärfeinrichtung (a) abnehmen und das Einstellrad zum Regeln so drehen, damit die Vorrichtung aus Plexiglas zum Abnehmen des Messers (b) (nicht im Lieferumfang enthalten) an ihm anliegt;
- 3 oder 4 (in Abhängigkeit vom Modell) Befestigungsschrauben (f) für das Messer lösen;
- die Vorrichtung aus Plexiglas (b) zum Abnehmen des Messers anlegen, und zwar so, damit die zwei Schrauben (e) in die Öffnungen im Messer gehen, das Messer drehen, bis es sich in der entsprechenden Position befindet;
- die Schraube (e) leicht andrehen.

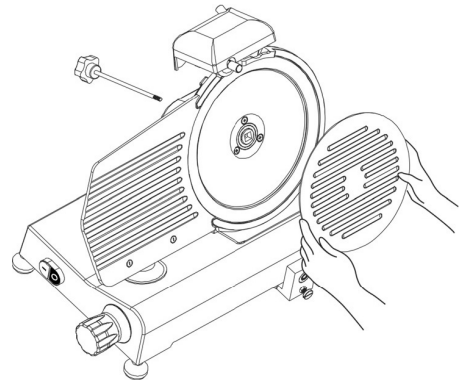


Abb. 4 – Abnehmen der Abdeckung des Messers

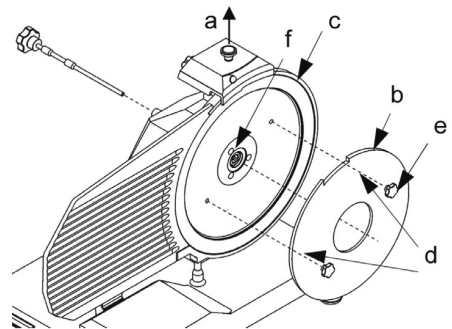


Abb. 5 – Anlegen der Vorrichtung aus Plexiglas (b) zum Abnehmen des Messers

**DE HINWEIS: Die Abdeckung des Messers ist mit heißem Wasser mit neutralem Reinigungsmittel zu waschen.**

## Reinigen der schärfeinrichtung

Das Waschen der Schärfeinrichtung beruht auf dem Reinigen der Steine der Schärfeinrichtung mit einer Bürste. Die Steine der Schärfeinrichtung

müssen sich in der blockierten Stellung befinden, d.h. sie müssen auf die dem Messer entgegengesetzte Seite gerichtet sein.

## Reinigen des Deflektors

Um den Deflektor abzunehmen, muss man zwei Befestigungsschrauben (a) abschrauben (Siehe Abb. 6).

Den Deflektor mit heißem Wasser und neutralem Reinigungsmittel waschen.

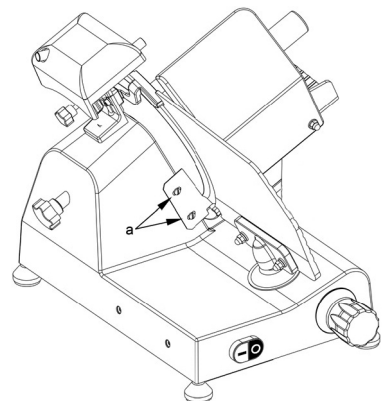


Abb. 6 – Ansicht auf den Deflektor

---

## Wartung

### Allgemeine eigenschaften

Vor Beginn der Wartungsarbeiten muss man:

- den Stecker der Stromversorgungsleitung von der Steckdose trennen, um die Schneidemaschine völlig vom Strom abzutrennen.
- das Einstellrad für die Schnittbreite auf die Position „0“ stellen.

### Riemen

Den Riemen muss man nicht regeln. Gewöhnlich tauscht man jeweils nach 3-4 Jahren aus. Dazu muss man sich mit einem autorisierten Servicedienst in Verbindung setzen.

### Standfüsse

Die Standfüsse können zerstört werden und ihre Elastizität verlieren, was einen negativen Einfluss auf die Stabilität der Schneidemaschine hat. In diesem Fall muss man sie auswechseln. Dazu muss man sich mit einem autorisierten Servicedienst in Verbindung setzen.

### Stromversorgungsleitung

In regelmäßigen Abständen ist der Verschleiß der Stromversorgungsleitung zu prüfen, falls notwendig sich mit einem autorisierten Servicedienst zwecks Austausch in Verbindung setzen.

### Messer

Man muss prüfen, ob das Messer sich nicht um mehr als 10 mm im Verhältnis zum ursprünglichen Durchmesser verringert hat. Zwecks Austausch muss man sich mit einem autorisierten Servicedienst in Verbindung setzen.

### Schärfeinrichtungen

Es ist zu prüfen, ob die Schärfeinrichtungen die entsprechenden Schleifeigenschaften während des Schärfens beibehalten. Um die Messer nicht zu beschädigen, muss man sie regelmäßig austauschen. Zu diesem Zweck muss man sich mit einem autorisierten Servicedienst in Verbindung setzen.

### Ölen der führungsschienen

In regelmäßigen Abständen muss man einige Tropfen Öl auf die runde Führung gießen, auf der sich der Wagen bewegt. Diese Tätigkeit kann man durch die Öffnung (OIL) neben dem Einstellrad ausführen.

### Kennzeichnung des tastenpanels

Wenn die Kennzeichnung des Tastenpanels zerstört wurde, muss man sich zwecks Austausch mit einem autorisierten Servicedienst in Verbindung setzen.

---

## Entsorgung des gerätes

### Ausgliederung des gerätes aus dem gebrauch

Wenn aus irgendeinem Grund die Notwendigkeit besteht, das Gerät aus dem Gebrauch auszugliedern, muss man sich davon überzeugen, dass nie-

mand in der Lage sein wird, es zu benutzen: die Stromzufuhr trennen und die gesamte Elektroverbindung eliminieren.

---

## Lagerung

- Stellen Sie vor einer Lagerung immer sicher, dass der Netzstecker des Geräts bereits von der Steckdose getrennt wurde und das Gerät vollständig abgekühlt ist.
- Lagern Sie das Gerät an einem kühlen, sauberen und trockenen Ort.



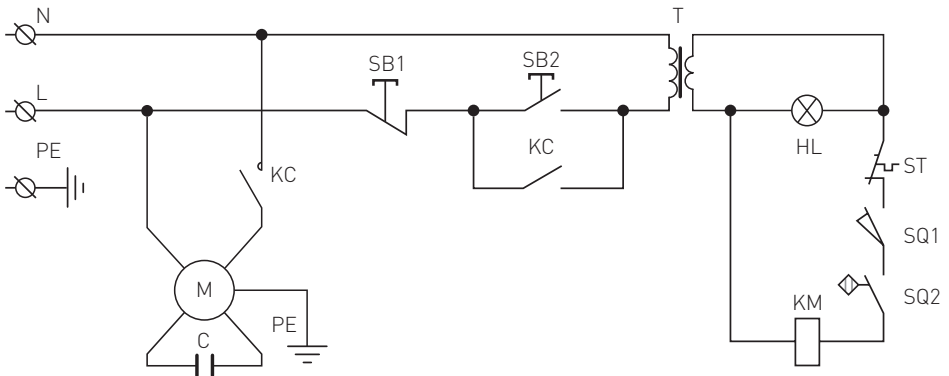
## Fehlerbehebung

Sollte das Gerät nicht ordnungsgemäß funktionieren, überprüfen Sie bitte die nachfolgende Tabelle für eine Lösung. Sollten Sie das Problem noch immer nicht lösen können, wenden Sie sich bitte an den Lieferanten/Dienstanbieter.

Problem	Mögliche Ursache	Lösung
Gerät schneidet nicht gleichmäßig	Messer stumpf	Messer schleifen
	Maschine schmutzig	Maschine reinigen
Schneidevorgang unterbrochen	Motor zu heiß	Die Maschine lange abkühlen lassen. Temperatursicherung des Motors schaltet sich selbsttätig wieder ein.
Wagen holpert	Gleitstange schmutzig	Die Gleitstange reinigen und mit Vaseline schmieren
	Speisereste kleben an der Klinge	Schalten Sie das Gerät aus und ziehen Sie den Netzstecker ab. Warten Sie, bis die Klinge zu einem völligen Stillstand gekommen ist. Entfernen Sie jegliche Hemmnisse. Wischen Sie die Klinge mit einem feuchten Tuch ab.
Klinge stoppt, wenn Produkt wird geschnitten	Keilriemen abgenutzt oder verschmutzt	Kontaktieren Sie den Lieferanten.

## Schaltplan für 210000, 210017, 210031, 210048, 210086, 970294

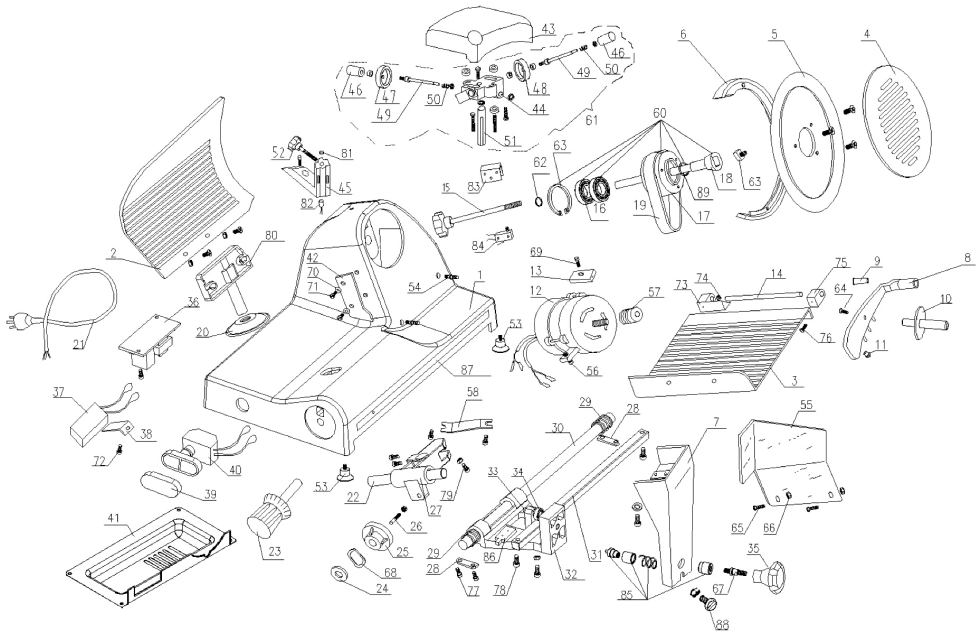
Wechselspannungseingang: AC220-240V 50Hz



M : Motor  
T : Transformator  
C : Kondensator  
PE : Schutzerde (Masse)  
L : Stromführend  
N : Neutralleiter

SB1, SB2 : Schalter  
KC : Relais  
HL : Anzeigelampe  
ST : Temperaturbegrenzer  
SQ1, SQ2 : Mikroschalter

# Teilleiste (Artikel-Nr. : 210000, 210031, 210048, 210086, 970294)



Teile-Nr.	Teilename	Menge	Teile-Nr.	Teilename	Menge
1	Gehäuse	1	20	Folienmulch	1
2	Aktives Schalbrett	1	21	Stromleitung	1
3	Speiseausgabe	1	22	Gleitachse	1
4	Klingenschutzhaube	1	23	Skalierknopf	1
5	Klinge	1	24	Federdichtung	1
6	Klingenschutzring	1	25	Nocken	1
7	Schalenhalterung	1	26	Nockenschmiegsarmatur	1
8	Speisen und Starrarm	1	27	Schieber	1
9	Starrarmbuchse	1	28	Brikettieren-Gleitachse	2
10	Starrarmgriff	1	29	Feder der Zugbremsgleitachse	2
11	Kunststoffgranulate	1	30	Anhängerzugvorrichtungssachse	1
12	Motor	1	31	Quadratische Achse	1
13	Motorbrikettierung	1	32	Zugvorrichtung	1
14	Starrarm-Pin Ø12 x 185	1	33	M8x35 Sechskantschraube	1
15	Klingenschutzbolzen	1	34	Kugellager 607	1
16	Kugellager 6202	2	35	Abdeckknopf der Zugvorrichtung	1
17	Klingenriemenrad Ø66	1	36	Relais	1
18	Riemenradstift	1	37	Kondensator	1
19	Riemen SV.330	2	38	Kondensatorhalterung	1

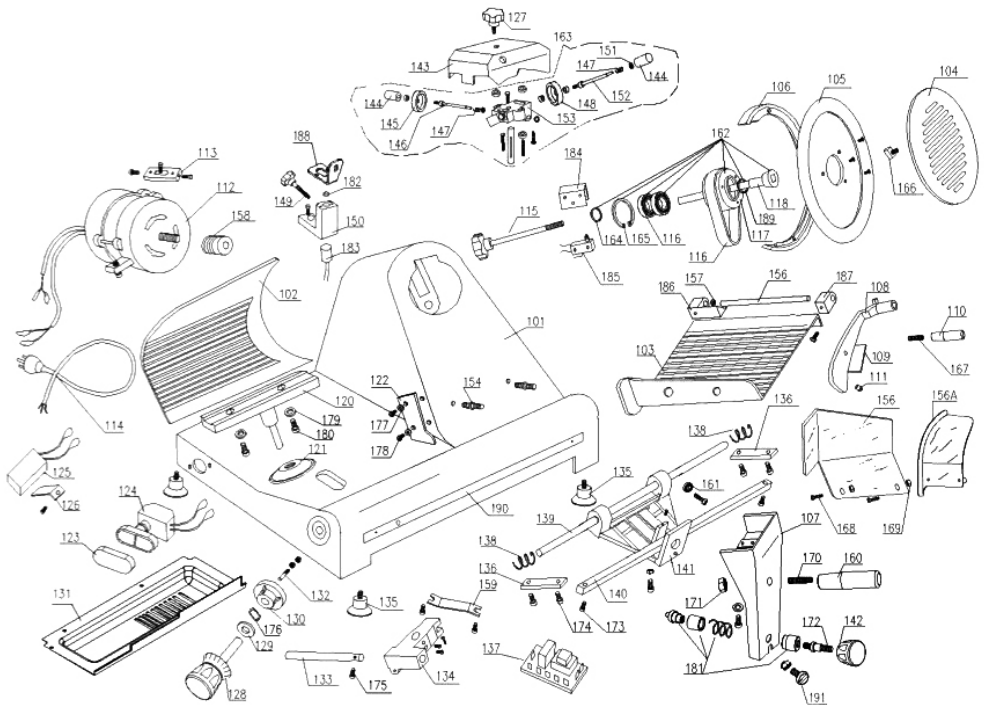
DE



Teile-Nr.	Teilename	Menge	Teile-Nr.	Teilename	Menge
39	Mulchtaste	1	65	Schraube für Starrarmgriff	1
40	Tastenschalter	1	66	Schraube für Finger-Trennwand	2
41	Hauptplatine	1	67	Mutter für Finger-Trennwand	2
42	Fleischschaber	1	68	Schraube für Halterungsknopf	1
43	Mulchschärfer	1	69	Undee-Federdichtung	1
44	Schärfersockel der Unterbaugruppe	1	70	Motorgeschützte Schraube	1
45	Schärfersockel der Baugruppe	1	71	Ausgleichsscheibe für Fleischschaber	2
46	Schärfertaste	2	72	Schraube für Fleischschaber	2
47	Feinschleifrad Ø45	1	73	Klemmschraube für die Befestigung des Kondensators	1
48	Rohschleifrad Ø45	1	74	Schalenlagerabdeckung A	1
49	Reibesteinstift	2	75	Fleischbrettkorb	1
50	Feder	2	76	Schalenlagerabdeckung B	1
51	Schärferhalterungsstift	1	77	Kreuzschlitzkopf M6 × 12	2
52	Anziehkopf für Schärfer	1	78	Mutter für Brikettieren-Gleitachse	4
53	Aktives Schalbrettdom	1	79	Sperrschraube für quadratische Achse	2
54	Gummifuß	4	80	Anpassschraube für Schieber	1
55	Stift für Klingenschutzring	2	81	Magnet	1
56	Blockierbrett für Fleisch	1	82	Magnetschalter	1
57	Gleitachsenhalterung	2	83	Aluminiumblock	1
58	Kleines Riemenrad für Motor	1	84	Mikroschalter	1
59	Schieberschlitten	1	85	Edelstahlschloss	1
60	Riemenradeinstellung	1	86	Begrenzungsblock	1
61	Schärfereinstellung	1	87	Edelstahlleiste	1
62	Ø15 Federdichtung für Lager	1	88	Schalhalterung-Einstellschraube	1
63	Ø15 Federdichtung für Lager	1	89	Öldichtung	1
64	Rechteckmutter für Klingenschutzscheibe	1			



# Teilliste (Artikel-Nr. : 210017)



DE

Teile-Nr.	Teilename	Menge	Teile-Nr.	Teilename	Menge
101	Gehäuse	1	119	Riemen SV.400	2
102	Aktives Schalbrett	1	120	Grundträger	1
103	Speisenausgabe	1	121	Kabelschlauch	1
104	Klingenscheibenschutz	1	122	Fleischabstreifer	1
105	Klinge	1	123	Mulchtaste	1
106	Klingenschutzring	1	124	Tastenschalter	1
107	Schalenhalterung	1	125	Kondensator	1
108	n und fester Arm	1	126	Kondensatorhalterung	1
109	Starrarmbuchse	1	127	Mitarbeiterorientierte Schraube	1
110	Griff	1	128	Skalierknopf	1
111	Kunststoffgranulate	1	129	Federdichtung	1
112	Motor	1	130	Cam300	1
113	Motorbrikettierung	1	131	Hauptplatine	1
114	Stromleitung	1	132	Nockenschmiegungsstift	1
115	Klingenschutzbolzen	1	133	Gleitachse	1
116	Kugellager 6204	2	134	Schieber	1
117	Riemenrad	1	135	Gummifuß	4
118	Riemenradstift	1	136	Brikettieren-Gleitachse	2



Teile-Nr.	Teilename	Menge	Teile-Nr.	Teilename	Menge
137	Relay	1	165	Ø 47Spring gasket for hole	1
138	Spring of sliding axle	2	166	Blade guard disc square-head nut	1
139	Towing bracket sliding axle	1	167	Fixed-arm handle bolt	1
140	Quadrate axis	1	168	Finger baffle bolt	2
141	Towing bracket	1	169	Finger baffle nut	2
142	Button of towing bracket	1	170	Bracket knob bolt	1
143	Sharpener mulch	1	171	Bracket knob nut	1
144	Button	2	172	Bracket bottom bolt	1
145	Fine grinding wheel Ø45	1	173	Quadrate axis locking screw	2
146	Pin of burr cleaning wheel	2	174	Slide axle briquetting bolt	4
147	Spring of burr cleaning wheel	2	175	Slide axle bolt	1
148	Crude grinding wheel Ø45	2	176	Ø 12 Under spring gasket	1
149	Sharpener tighten knob	1	177	Meat scraping shim	2
150	Supporting base of outer ring	1	178	Meat scraper bolt	1
151	Ø 4.751Wheel	1	179	Fulcrum bearing shim	2
152	Pin of rubbing stone	1	180	Fulcrum bearing bolt	2
153	Sharpener base of subassembly	1	181	Stainless steel lock	1
154	pin of blade guading ring	2	182	Magnet	1
155	Pin of food tray	1	183	Magnet switch	1
156/156A	Meat blocking board	1	184	Limited block	1
157	Bracket of sliding axle	1	185	Microswitch	1
158	Small belt wheel of motor	1	186	Tray bearing cover A	1
159	Slide transmitting wheel	1	187	Tray bearing cover B	1
160	Towing bracket handle	1	188	Fulcrum bearing shim	1
161	Sliding axle608	1	189	Oil seal	1
162	Belt wheel setting	1	190	Stainless steel bar	1
163	Sharpener setting	1	191	Set screw for tray bracket	1
164	Ø 20Spring gasket for bearing	1			

## Technische Spezifikation

Nr. des Produktes	210031	210048	210000	210017	210086	970294
Betriebsspannung und Frequenz	220-240V~ / 50 Hz					
Nominale Leistungsaufnahme	200W	280W	320W	420W	320W	280W
Messerdurchmesser	195 mm	220 mm	250 mm	300 mm	250 mm	220 mm
Wasserbeständigkeitsklasse	IP33					
Sicherheitsklasse	Klasse I					
Geräuschpegel	< 70 dB (A)					
Außenabmessungen	400x400x (H)330 mm	440x420x (H)350 mm	485x420x (H)395 mm	600x480x (H)450 mm	485x420x (H)395 mm	440x420x (H)350 mm
Nettogewicht (ca.)	13,5 kg	14 kg	16 kg	26 kg	16 kg	14 kg

**Bemerkungen: Die Technische Spezifikation kann ohne frühere Ankündigung geändert werden.**

## Garantie

Alle innerhalb von einem Jahr nach dem Kaufdatum festgestellten Defekte oder Mängel, die die Funktionalität des Gerätes beeinträchtigen, werden auf dem Wege der unentgeltlichen Reparatur bzw. des Austausches unter der Voraussetzung beseitigt, dass das Gerät in einer der Bedienungsanleitung gemäßen Art und Weise betrieben und gewartet wird und weder vorsätzlich vernichtet noch nicht bestimmungsgemäß genutzt wurde. Ihre Rechte aus den entsprechenden Gesetzen

bleiben davon unberührt. Eine in der Garantiefrist einzureichende Beanstandung hat die Angabe des Kaufortes und Kaufdatums und in der Anlage einen Kaufbeleg (z.B. Kassenzettel) zu enthalten.

Gemäß unserer Politik der ständigen Weiterentwicklung unserer Produkte behalten wir uns vor, Änderungen am Produkt, an seiner Verpackung und an den dokumentierten technischen Daten ohne vorherige Ankündigung vorzunehmen.

DE

## Entsorgung und Umweltschutz

Wird das Gerät außer Betrieb genommen, darf es nicht über den Hausmüll entsorgt werden. Der Benutzer ist für die Übergabe des Gerätes an eine geeignete Sammelstelle für Altgeräte verantwortlich. Die Nichteinhaltung dieser Regel kann gemäß den geltenden Vorschriften über die Abfallentsorgung bestraft werden. Die getrennte Sammlung und das Recycling der Altgeräte trägt zur Schonung der natürlichen Ressourcen bei und sorgt für eine umwelt- und gesundheitsschonende Verwertungsweise.

Weitere Informationen darüber, wo Sie Ihre Altgeräte entsorgen können, erhalten Sie bei Ihrem örtlichen Entsorgungsunternehmen. Der Hersteller und der Importeur übernehmen keine Verantwortung für das Recycling sowie die umweltfreundliche Verwertung von Abfällen, weder direkt noch über ein öffentliches System.



Geachte klant,




Bedankt voor de aanschaf van dit HENDI apparaat. Lees deze handleiding zorgvuldig door, met bijzondere aandacht voor de onderstaande veiligheidsvoorschriften, voordat u dit apparaat voor de eerste keer installeert en gebruikt.

## Veiligheidsvoorschriften

- Dit apparaat is enkel bedoeld voor commercieel gebruik.
- Gebruik het apparaat alleen voor het beoogde doel waarvoor het is ontworpen, zoals beschreven in deze handleiding.
- De fabrikant is niet aansprakelijk voor enige schade veroorzaakt door onjuist gebruik en onjuist gebruik.
- Houd het apparaat en de stekker uit de buurt van water en andere vloeistoffen. Als het apparaat in water valt, haal dan onmiddellijk de stekker uit het stopcontact. Gebruik het apparaat niet totdat het is gecontroleerd door een gecertificeerde technicus. Het niet volgen van deze instructies zal levensbedreigende risico's veroorzaken.
- Probeer nooit de behuizing van het apparaat zelf te openen.
- Plaats geen objecten in de behuizing van het apparaat.
- Raak de stekker niet aan met natte of vochtige handen.
- ⚡ **Gevaar voor een elektrische schok!** Probeer het apparaat niet zelf te repareren, reparaties mogen alleen worden uitgevoerd door gekwalificeerd personeel.
- **Gebruik nooit een beschadigd apparaat!** Wanneer het apparaat beschadigd is, koppelt u het apparaat los van het stopcontact en neemt u contact op met de detailhandelaar.
- **Waarschuwing!** Dompel de elektrische onderdelen van het apparaat niet onder in water of andere vloeistoffen.
- Houd het apparaat nooit onder stromend water.
- Controleer regelmatig de stekker en het snoer op eventuele schade. Bij beschadiging moet het worden vervangen door een serviceagent of een gelijkwaardig gekwalificeerd persoon om gevaar of letsel te voorkomen.
- Zorg ervoor dat het snoer niet in contact komt met scherpe of hete voorwerpen en houd het uit de buurt van open vuur. Trek nooit aan het netsnoer om het uit het stopcontact te halen, trek altijd aan de stekker.
- Zorg ervoor dat het netsnoer en/of het verlengsnoer geen struikelgevaar veroorzaken.
- Laat het apparaat nooit onbeheerd achter tijdens het gebruik.
- **Waarschuwing!** Zolang de stekker in het stopcontact zit, is het apparaat aangesloten op de stroombron.
- Schakel het toestel uit voordat u het uit het stopcontact haalt.
- Sluit de stekker aan op een gemakkelijk toegankelijk stopcontact, zodat het apparaat in geval van nood onmiddellijk kan worden losgekoppeld.
- Draag het apparaat nooit bij het snoer.
- Gebruik geen extra apparaten die niet samen met het apparaat worden geleverd.
- Sluit het apparaat alleen aan op een stopcontact met de spanning en frequentie vermeld op het etiket van het apparaat.

- Gebruik nooit andere accessoires dan die welke door de fabrikant worden aanbevolen. Als u dit niet doet, kan dit een veiligheidsrisico vormen voor de gebruiker en kan het apparaat beschadigen. Gebruik alleen originele onderdelen en accessoires.
- Dit apparaat mag niet worden gebruikt door personen met verminderde fysieke, zintuiglijke of mentale vermogens, of personen met een gebrek aan ervaring en kennis.
- Dit apparaat mag in geen geval door kinderen worden gebruikt.
- Houd het apparaat en het netsnoer buiten het bereik van kinderen.
- **WAARSCHUWING:** schakel het apparaat **ALTIJD** uit en haal de stekker uit het stopcontact voor reiniging, onderhoud of opslag.

## Bijzondere veiligheidsvoorschriften

-  **WAARSCHUWING!** Haal de stekker uit het stopcontact voor reiniging, onderhoud en reparatie!
-  **WAARSCHUWING!** Vereist twee mensen om te verplaatsen.
-  **WAARSCHUWING!** Lees de instructiehandleiding voor gebruik, reiniging en onderhoud!
- U kunt alleen voedsel zonder botten dat uit de verpakking is gehaald en ontdooid snijden met het apparaat. Gebruik het apparaat niet voor het snijden van bevroren voedsel, groenten of andere doeleinden.
- Gebruik het apparaat alleen zoals beschreven in de handleiding.
- Elk ander gebruik kan leiden tot schade aan het apparaat of lichamelijk letsel.
- Dit apparaat mag enkel bediend worden door getraind personeel.
- Plaats het apparaat niet op een warmtebron (kooktoestel op benzine, elektriciteit, kolen, etc.) Houd het apparaat uit de buurt van hete oppervlakken en open vuur. Gebruik het apparaat altijd op een vlakke, stabiele, schone, hittebestendige en droge ondergrond.
- Gevaar voor letsel! Wees zeer voorzichtig tijdens het hanteren van het mes, vooral wanneer u het mes verwijdert voor het reinigen. Draag indien nodig beschermende handschoenen (niet meegeleverd).
- **Let op!** Plaats het netsnoer indien nodig op een veilige manier om te voorkomen dat mensen over het netsnoer struikelen en vallen.
- Gebruik het apparaat niet voordat het juist is gemonteerd met het mes, de beschermkap en de voedselhouder.”
- Gebruik het apparaat niet in de buurt van explosieve of ontvlambare materialen, creditcards, magnetische schijven of radio's.
- Omzeil nooit de veiligheidsmechanismen op het apparaat.
- **WAARSCHUWING:** Houd alle ventilatieopeningen in het apparaat vrij.
- **WAARSCHUWING:** Schakel het apparaat **ALTIJD** uit en trek de stekker uit het stopcontact alvorens het apparaat te reinigen, onderhouden of op te bergen.
- **WAARSCHUWING!** Houd uw handen, lange haren en kleding **ALTIJD** uit de buurt van de bewegende onderdelen.



- Laat tijdens gebruik minimaal 20 cm ruimte vrij rond het apparaat voor voldoende ventilatie.
- **WAARSCHUWING!** Wees uiterst voorzichtig bij de omgang met de snijschijven. Draag beschermende handschoenen (niet meegeleverd) indien nodig.

### Beoogd gebruik

- Het apparaat is bestemd voor professioneel gebruik.
- Het apparaat is alleen bedoeld voor het snijden van levensmiddelen, bijv. vlees, kaas, brood, etc. Elk ander gebruik kan leiden tot schade aan het apparaat of lichamelijk letsel.
- Gebruik van het apparaat voor andere doeleinden wordt beschouwd als verkeerd gebruik van het apparaat. De gebruiker is volledig aansprakelijk voor alle risico's die voortvloeien uit verkeerd gebruik van het apparaat.

### Aarding installatie

Dit apparaat is geclassificeerd als **beschermingsklasse I** en moet op een beschermende grond worden aangesloten. Aarding vermindert het risico op elektrische schokken door een ontsnapingsdraad voor de elektrische stroom aan te bieden. Dit ap-

paraat is uitgerust met een netsnoer met een aardingsdraad en geaarde stekker. De stekker moet worden aangesloten op een stopcontact dat correct is geïnstalleerd en geaard.

### Veiligheidssystemen in de snijmachine

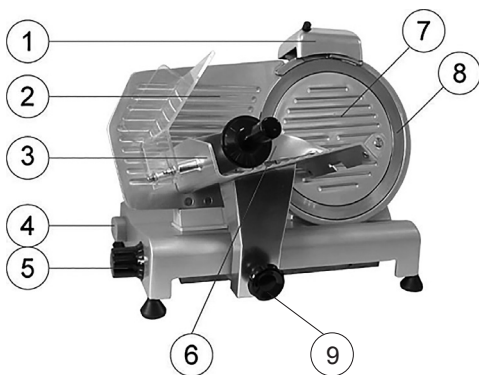
De snijmachine is uitgerust met:

- een microscharrelaar die de snijmachine stopt in het geval de trekstang voor de beschermkap wordt verwijderd; de microscharrelaar voorkomt dat de snijmachine opnieuw wordt gestart als de beschermkap niet in de uitschakelstand is gezet.
- een relais in de schakelkast dat vereist dat de snijmachine opnieuw moet worden gestart indien er een stroomonderbreking optreedt.

Hoewel de van snijmachines worden geleverd met elektrische en mechanische beveiligingen (als de snijmachine in gebruik is en voor onderhouds- en reinigingshandelingen), zijn er nog altijd **RESTRISICO'S** die niet volledig geëlimineerd kunnen worden; deze risico's worden vermeld in deze handleiding onder de kopjes met de tekst **WAARSCHUWING**. Het mes en andere onderdelen van de machine kunnen snijwonden en verwondingen veroorzaken.

### Belangrijkste onderdelen van het apparaat

- 1 Slijper voor mes
- 2 Aanslag
- 3 Slede
- 4 Aan/uit schakelaar  
[Wit (I): AAN; Zwart (O): UIT]
- 5 Knop voor instellen snijdikte
- 6 Producthouderarm
- 7 Mesafscherming
- 8 Mes
- 9 Sledevergrendeling
- 10 Bout van mesafscherming  
(niet afgebeeld)

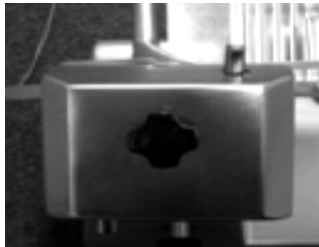


## Vorbereiding voor eerste ingebruikname

- Controleer of alle onderdelen inbegrepen zijn. Indien u onderdelen mist, neem contact op met uw leverancier.
- Verwijder al het verpakkingsmateriaal.
- Bewaar de verpakking als u uw apparaat in de toekomst wilt opbergen.
- Controleer het apparaat op volledigheid en eventuele transportschade. Neem in geval van schade of een onvolledige levering onmiddellijk contact op met de leverancier. Gebruik het apparaat NIET. (Zie ==> Garantie).
- Reinig het mes. Wees zeer voorzichtig, mes is zeer scherp. (Gebruik handschoenen indien nodig, niet meegeleverd)
- Zorg ervoor dat er rondom de machine minstens 10cm vrij blijft. Dit in verband met de ventilatie van de machine
- Plaats de machine zo dat de stekker te allen tijde bereikbaar is.
- Wanneer de slijpvoorziening niet gemonteerd is, ga dan als volgt te werk:



1. Bovenaanzicht van de machine



2. Plaats de slijpmodule zo dat het mes niet tussen de slijpwieltjes door loopt

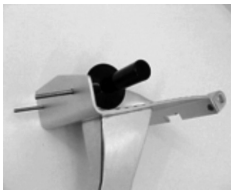


3. Borg de slijpvoorziening aan de machine door de borging aan te draaien. Controleer of de slijpvoorziening vast zit voordat u de machine in gebruik neemt.

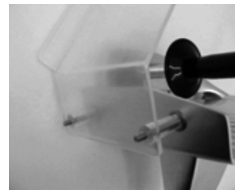
NL

**LET OP! De slijpvoorziening is voorzien van een veiligheidsschakelaar. Indien de slijpvoorziening niet is gemonteerd, kunt u de machine niet inschakelen**

- Monteer de handafscherm



1. Plaats de beide schroeven in de slede



2. Plaats de handbeschermer



3. Plaats de twee sluitringen



4. Draai de twee dopmoeren aan

**LET OP: het gebruiken van de machine zonder de handbeschermer wordt afgeraden! Dit zijn veiligheidsvoorzieningen die mogelijk verwondingsgevaar uitsluiten. Indien u deze voorzieningen niet monteert, bestaat het risico op verwondingen.**

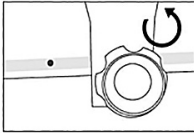


## Gebruiksaanwijzing

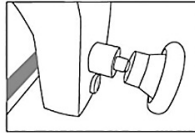
- Plaats de machine dusdanig, dat de aan/uit schakelaar naar de gebruiker toegekeerd is.
- Wanneer de slijpvoorziening niet gemonteerd is, ga dan als volgt te werk:
  - Plaats de slijpvoorziening in zijn steun zodat het mes niet tussen wieltjes doorloopt.
  - Draai de veiligheidsschroef op de slijpvoorziening aan.
  - LET OP! De slijpvoorziening is voorzien van een veiligheidsschakelaar. De machine kan niet worden ingeschakeld indien de slijpvoorziening niet is gemonteerd.
- Steek de stekker in de wandcontactdoos.
- Stel de gewenste dikte in door aan de knop met de schaalverdeling te draaien.
- Schakel het apparaat in door op de "WITTE (I)" knop van de aan/uit schakelaar te drukken.
- Plaats het te snijden product op de wagen. Klem het product met de hiervoor aanwezige klem. Zorg ervoor dat het product tegen de aanslag aan ligt.
- Schakel het apparaat, zodra het product is gesneden, uit door op de "ZWARTE (O)" knop van de aan/uit schakelaar te drukken.
- Draai de knop voor de instelling van de dikte terug naar "0".

## Hoe de snijmachine te vergrendelen

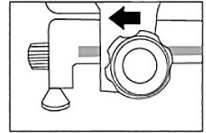
① Draai de knop tegen de klok in



② Blijf draaien totdat de knop volledig los is



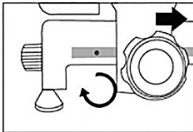
③ Schuif de slede volledig naar links  
De snijmachine wordt automatisch vergrendeld



NL

## Hoe de snijmachine te ontgrendelen

① Om de snijmachine te ontgrendelen, draai de knop met de klok mee, totdat deze vast zit.





## Plaatsen en snijden van voedingsmiddelen

**WAARSCHUWING: Te snijden producten mogen alleen op de snijplank worden geplaatst als de draaiknop in de stand "0" staat. Let goed op het mes en de scherpe randen.**

De procedure is als volgt:

- zodra het product op de snijplank is geplaatst en tegen de plaat is geplaatst, stopt u het met de arm met aanvatpunten;
- gebruik de draaiknop om de gewenste snijdikte in te stellen;
- om ongelukken te voorkomen moet de persoon die snijdt correct en recht voor de machine staan: plaats de rechterhand op de vleesaandrukker, en daarna de linkerhand naast de deflector (**raak het mes niet aan**); het lichaam moet loodrecht op het werkoppervlak staan (zie FIG. nr. 1a). **WAARSCHUWING: besteed veel aandacht aan: er mogen geen onderdelen van uw lichaam in contact komen met het mes** (zie FIG. nr. 1b);

- druk op de inschakelknop "1";
- druk de slede (snijplank + vleesaandrukker + steel) soepel richting het mes zonder met de vleesaandrukker druk uit te oefenen op de levensmiddelen, omdat deze door de zwaartekracht druk uitoefenen op de diktemeter. Het mes snijdt voedingsmiddelen eenvoudig door en plakjes worden door de deflector naar de opvangplaat geleid (zie FIG. nr. 11);
- gebruik de snijmachine niet zonder voedingsmiddelen;
- zet de draaiknop, zodra de voedingsmiddelen zijn gesneden, in de stand "0" en schakel de machine uit door de schakelaar in de stand "0" te zetten;
- slijp het mes als de plakjes een ruw of rafelig oppervlak hebben en het snijden moeilijk wordt (zie Het mes slijpen).



FIG. nr. 1a – Juiste positie



FIG. nr. 1b – Slechte positie

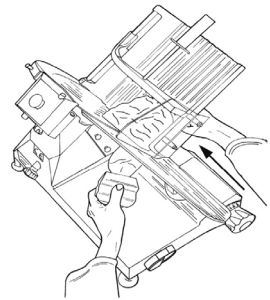


FIG. nr. 2 – Vlees snijden



## Het mes slijpen

**WAARSCHUWING:** Alvorens het mes te slijpen, is het belangrijk alert te blijven voor **RESTRISICO'S** (zie Elektrisch veiligheidssysteem) die betrekking hebben op gevaar voor verwondingen indien de onderstaande instructies niet worden gevolgd.

Het mes moet periodiek worden geslepen en, zodra het bot wordt, moeten de volgende instructies worden uitgevoerd:

- reinig het mes zorgvuldig met alcohol om vet te verwijderen nadat de stekker uit het stopcontact is getrokken;
- schroef de knop [1] los, til (a) de slijper [2] op tot aan de vergrendelpositie en draai de slijper 180°(b) (zie FIG. nr. 3 a). Laat de slijper daarna bewegen tot het uiteinde (c) zodat het mes tussen de twee slijpmolens is gepositioneerd. Vergrendel de knop;
- schakel de snijmachine in door op de inschakelknop "I" (AAN) te drukken;
- druk op de kleine knop [3] (zie FIG. nr. 3b), laat het mes voor ongeveer 30/40 sec. tegen de slijpmolen draaien om braam te produceren op de rand van het mes;
- druk tegelijkertijd op de knoppen voor 3/4 seconden (3 en 4) en laat ze daarna tegelijkertijd los (zie FIG. nr. 3c);
- er wordt aanbevolen om de slijpmolens te reinigen na het slijpen (zie **De slijper reinigen**);
- Plaats het mes, zodra het slijpen is voltooid, terug op zijn originele plek door de procedure in omgekeerde volgorde te volgen.
- na het slijpen, moet het mes worden gereinigd (See **Het mes en de beschermkap einigen**)

**OPMERKING:** Niet langer dan 3/4 seconden afbramen om gevaarlijke verdraaiingen van de snijkant van het mes te voorkomen.

**Het mes moet worden vervangen als het niet meer kan worden geslepen of als de afstand tussen de rand van het mes en de beschermkap groter is dan 6mm.**

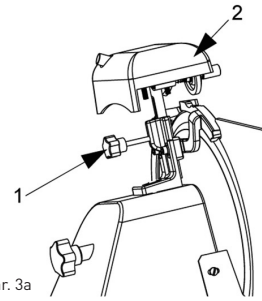


FIG. nr. 3a

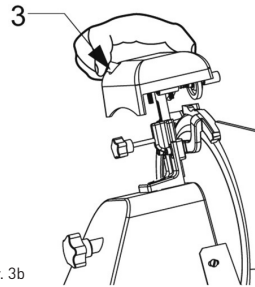


FIG. nr. 3b

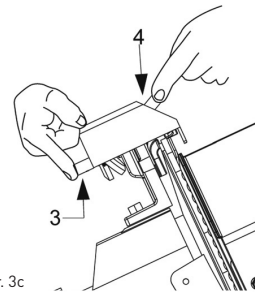


FIG. nr. 3c

## Normaal reinigen

### Algemene stappe

- Het reinigen van de snijmachine moet minimaal één keer er dag of, indien nodig, vaker worden uitgevoerd.
- De reinigingshandelingen moet extreem nauwkeurig worden uitgevoerd voor alle onderdelen van de snijmachine die direct of indirect in contact komen met voedingsmiddelen.
- De snijmachine mag niet worden gereinigd met een waterreiniger en waterstralen met hoge druk, gebruik in plaats daarvan water en een neutraal reinigingsmiddel. **Gebruik geen andere reinigingsmiddelen.** Gereedschappen, borstels en andere apparaten die het oppervlak van de snijmachine waarschijnlijk kunnen beschadigen mogen niet worden gebruikt.

Alvorens reinigingshandelingen uit te voeren is het noodzakelijk om:

- de stekker uit het stopcontact te trekken om de snijmachine volledig te isoleren van de rest van het elektrische circuit;
- de draaiknop voor het instellen van de plaat in de stand "0" te zetten.

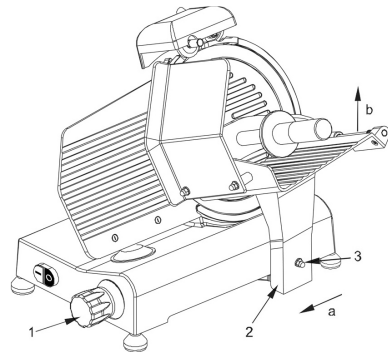
**WAARSCHUWING: Let op de restrisiko's door snijden en/of scherpe randen. Draag indien nodig beschermende handschoenen (niet meegeleverd).**

## Reinigingsprocedure snijmachine

### Reinigen snijplank

De slede (snijplank + arm + steel) kan eenvoudig worden verwijderd:

- zet de draaiknop in de stand "0" (1);
- zet de slede (2) aan het uiteinde van zijn rails (a) in de buurt van de bedieningselementen;
- draai de moer (3) los, schuif de slede omhoog (b);
- nadat u de slede heeft verwijderd is het mogelijk om de snijplank nauwkeurig te reinigen met warm water en een neutraal reinigingsmiddel (PH 7).



Het losmaken van de slede



### Het mes en de beschermkap einigen

- Schroef de pin aan de achterzijde los om de me-safscherming te verwijderen (zie FIG. nr. 4).

**WAARSCHUWING: de reiniging van het mes moet worden uitgevoerd met metalen handschoenen en een natte doek.**

Om het mes op het tegenoverliggende oppervlak te reinigen, is het noodzakelijk het mes te verwijderen (zie FIG. nr. 5).

Het mes moet als volgt worden verwijderd:

- demonteer de deksel van het mes (zie FIG. nr. 5);
- verwijder (a) de slijper en open het diktemes met de draaiknop om ervoor te zorgen dat verwijderings-instrument van het mes (b) (niet meegeleverd) zich hecht aan het mes;
- draai de 3 of 4 schroeven (f) los (afhankelijk van het model) die het mes vastzetten;
- druk het Plexiglas verwijderingsinstrument voor het mes tegen het mes om het goed te koppelen met de twee schroefgaten (e) op het mes, draai het mes totdat het de juiste positie bereikt;
- draai de schroef (e) niet overdreven hard aan.

**N.B. de beschermkap moet worden gereinigd met warm water en een neutraal reinigingsmiddel.**

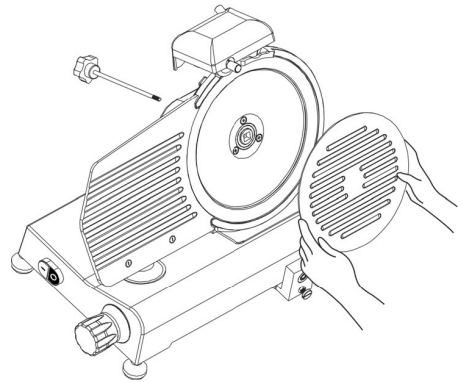


FIG. nr. 4 – Het losmaken van de beschermkap

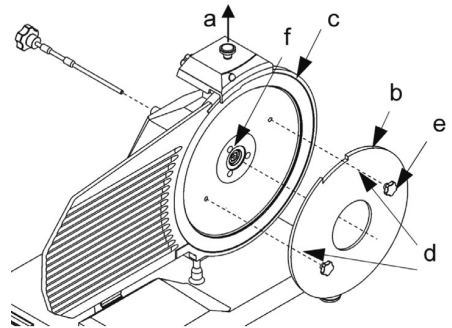


FIG. nr. 5 – Het masker plaatsen om het mes te verwijderen

### De slijper reinigen

Het reinigen van de slijper wordt uitgevoerd door met een borstel tegen de slijpmolens te wrijven; de slijpmolens moeten in een veilige stand worden

gezet. Dit houdt in dat ze naar de zijde tegenover het mes moeten worden gedraaid.

### Reinigen van de deflector

De twee schroeven (a) die de deflector vastzetten moeten worden losgedraaid om de deflector te verwijderen (zie FIG. nr. 6).

Reinig de deflector in dit stadium met warm water en een neutraal reinigingsmiddel.

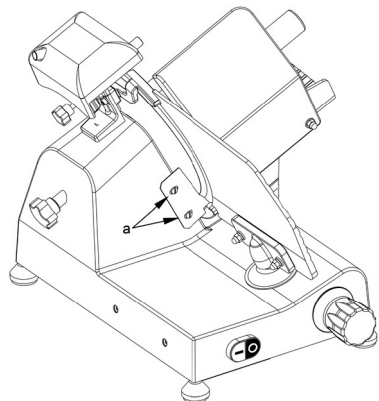


FIG.nr. 6- afbeelding van de

---

## Onderhoud

### Algemene stappen

Alvorens onderhoud uit te voeren is het noodzakelijk om:

- De stekker uit het stopcontact te trekken om de snijmachine volledig van los te koppelen van het elektrisch circuit.
- De draaiknop voor het instellen van de dikteplaat in de stand "0" te zetten.

### Riem

De riem mag niet worden aangepast. Over het algemeen moet de riem na 3/4 jaar worden vervangen; in dit geval dient u contact op te nemen met een erkend servicecenter.

### Voetjes

De voetjes kunnen slijten en hun elasticiteit verliezen en daarmee de stabiliteit van de snijmachine reduceren. In dit geval moeten ze worden vervangen.

### Netsnoer

Controleer het netsnoer periodiek op slijtage. Als het netsnoer is versleten of beschadigd, neem dan contact op met het servicecenter om het te laten vervangen.

### Mes

Controleer of het mes niet meer dan 10mm van zijn oorspronkelijke diameter verliest. Als u het wilt laten vervangen, neem dan contact op met het servicecenter.

### Slijpmolens

Controleer of de slijpmolens hun schurende eigenschappen behouden tijdens het slijpen. Ze moeten op tijd worden vervangen om schade aan het mes te

voorkomen, neem daarom indien nodig contact op met het servicecenter om de slijpmolens te vervangen.

### Smearing van schuifgeleiders

Van tijd tot tijd moet u enkele oliedruppels (uit het olieflesje dat is meegeleverd met de snijmachine) gieten op de ronde staaf waarlangs de slede heen en

weer schuift; deze handeling kan worden uitgevoerd door de opening (oil) naast de draaiknop.

### Label van het paneel met drukknoppen

Als het label van het paneel met drukknoppen is beschadigd, neem dan contact op met servicecenter om het te vervangen.

---

## Verwijdering van de machine

### De machine buiten gebruik stellen

Als u, om wat voor reden dan ook, besluit dat u de machine buiten gebruik wilt stellen, zorg er dan voor dat niemand gebruik kan maken van de machine: haal de

stekker uit het stopcontact en koppel alle elektrische aansluitingen los.

---

### Opslag

- Zorg er vóór het opbergen van het apparaat altijd voor dat de stekker van het apparaat uit het stopcontact is getrokken en dat het apparaat volledig is afgekoeld.
- Bewaar het apparaat op een koele, schone en droge plek.



## Probleemoplossing

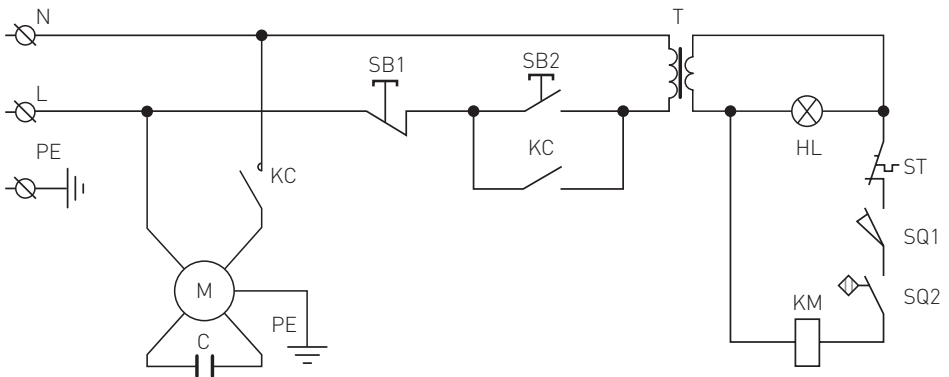
Als het apparaat niet goed werkt, controleer dan onderstaande tabel voor de oplossing. Als u het probleem nog steeds niet kunt oplossen, neem dan contact op met de leverancier/dienstverlener.

Probleem	Mogelijke oorzaak	Oplossing
Apparaat snijdt niet gelijkmatig	Mes bot	Slijp het mes
	Machine is vuil	Reinig de machine
Machine stopt met snijden	Motor te warm	Laat de machine geruime tijd afkoelen. De thermische beveiliging van de motor schakelt vanzelf weer in.
Wagen glijdt niet soepel	Glijstang vuil	Reinig de glijstang en smeer met vaseline
	Er plakt wat voedsel aan het mes	Schakel het apparaat uit & trek de stekker uit het stopcontact. Wacht tot het mes volledig tot stilstand is gekomen. Verwijder eventuele verstoppingen. Veeg het mes af met een vochtige doek.
Mes stopt bij belasting	V-riem versleten of vuil	Neem contact op met de leverancier

## Schakelschema voor 210000, 210017, 210031, 210048, 210086, 970294

NL

Netspanningsingang: AC220-240V 50Hz

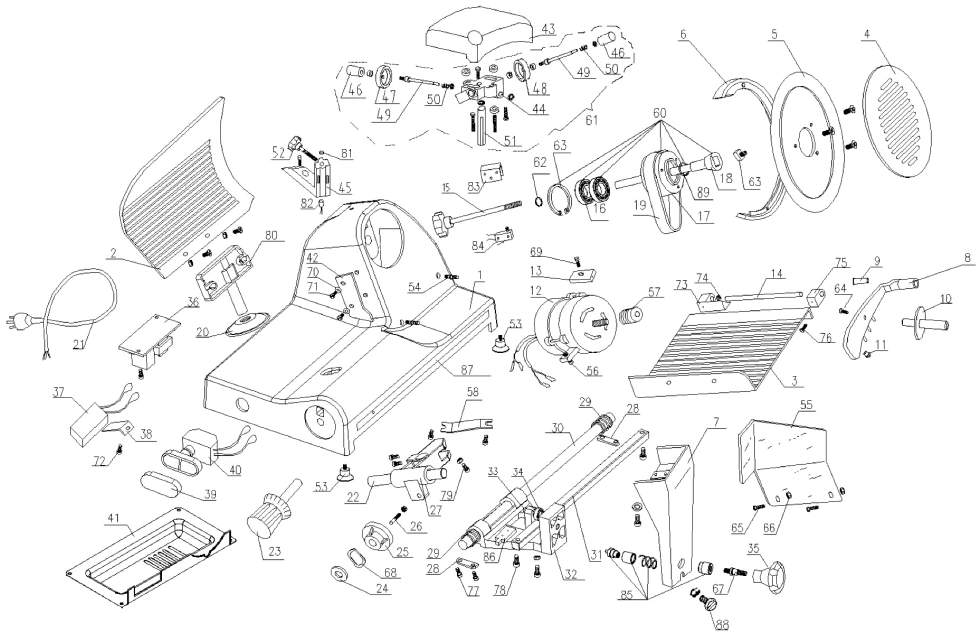


M : Motor  
T : Transformator  
C : Condensator  
PE : Beschermende aarding (aarding)  
L : Fase  
N : Neutraal

SB1, SB2 : Schakelaar  
KC : Relais  
HL : Indicatielampje  
ST : Thermische beveiliging  
SQ1, SQ2 : Microschakelaar



## Onderdelenlijst (Artikelnr.: 210000, 210031, 210048, 210086, 970294)



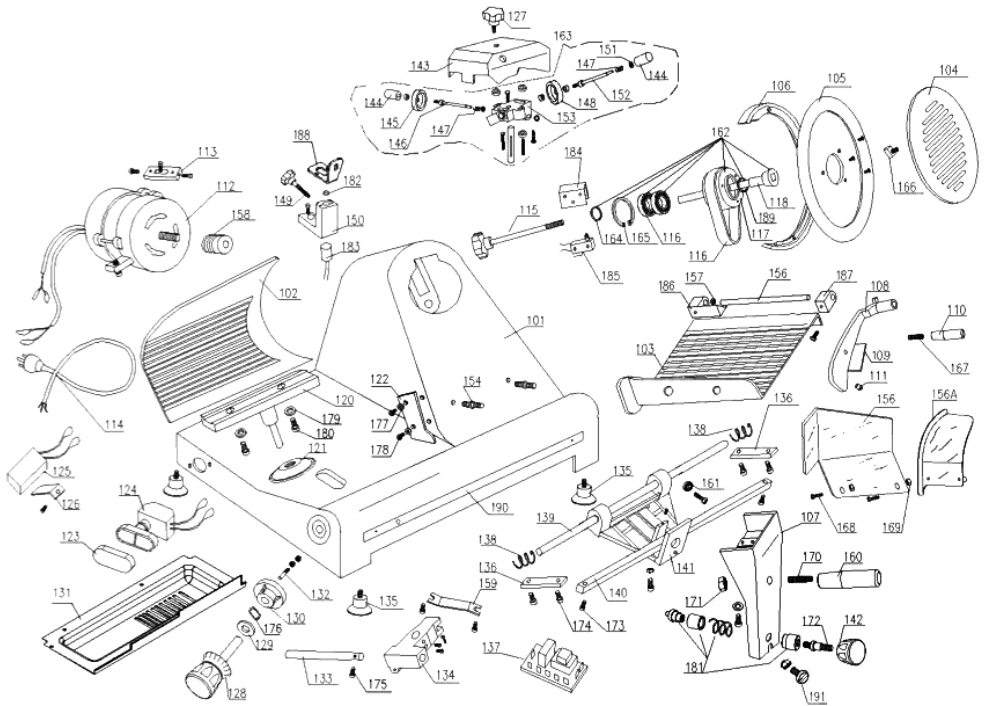
Nr. onderdeel	Naam onderdeel	Aantal	Nr. onderdeel	Naam onderdeel	Aantal
1	Behuizing	1	19	RiemsV.330	2
2	Actieve duig	1	20	Schuifkap	1
3	Voedselblad	1	21	Netsnoer	1
4	Beschermring mes	1	22	Schuifas	1
5	Mes	1	23	Knop met schaal	1
6	Beschermring mes	1	24	Veerpakking	1
7	Beugel lade	1	25	Nok	1
8	Vaste arm voedsel	1	26	Nokkenstaaf	1
9	Huls vaste arm	1	27	Schuiver	1
10	Handgreep vaste arm	1	28	Brikettering schuifas	2
11	Plastic korrel	1	29	Veer van trekbeugel schuifas	2
12	Motor	1	30	Trekbeugel-as	1
13	Brikettering motor	1	31	Vierkante as	1
14	Pen vaste arm Ø12x185	1	32	Trekbeugel	1
15	Bouten mesbescherming	1	33	M8x35Inbusschroef	1
16	Kogellager 6202	2	34	Kogellager 607	1
17	Wiel mesriem Ø66	1	35	Knop afdekking trekbeugel	1
18	Pen van mesriem	1	36	Relais	1



Nr. onderdeel	Naam onderdeel	Aantal	Nr. onderdeel	Naam onderdeel	Aantal
37	Condensator	1	64	Kruiskopmoer beschermerschijf mes	1
38	Condensatorhouder	1	65	Bout handgreep vaste arm	1
39	Knopkap	1	66	Bout vingerplaat	2
40	Knopschakelaar	1	67	Moer vingerplaat	2
41	Moederbord	1	68	Knopbout beugel	1
42	Vleeschrapper	1	69	Undee veerpakking	1
43	Slijperkap	1	70	Insagbout motor	1
44	Slijpbasis van subassemblage	1	71	Afstandsplaat vleeschrapper	2
45	Slijpbasis van assemblage	1	72	Bout vleeschrapper	2
46	Knop van slijper	2	73	Klembout condensatorbevestiging	1
47	Fijne slijpschijf Ø45	1	74	Lagerkap lade	1
48	Grove slijpschijf Ø45	1	75	Beugel vleesbord	1
49	Pen slijpsteen	2	76	Lagerkap lade B	1
50	Veer	2	77	Verzonken kop en kruisgleuf M6×12	2
51	Pen slijpbeugel	1	78	Briketteringsbout schuifas	4
52	Aandraaiknop slijper	1	79	Borgschroef vierkante as	2
53	Mandril actieve duig	1	80	Afstelbout schuiver	1
54	Rubberen voetje	4	81	Magneet	1
55	Pen van beschermring mes	2	82	Magneetschakelaar	1
56	Vleesblokkeerbord	1	83	Aluminium blok	1
57	Beugel schuifas	2	84	Microschakelaar	1
58	Klein riemwiel van motor	1	85	Roestvrijstalen slot	1
59	Schuifaandrijver	1	86	Begrensd blok	1
60	Instelling riemwiel	1	87	Roestvrijstalen balk	1
61	Instelling slijper	1	88	Stelschroef voor beugel lade	1
62	Ø15 Veerpakking voor lager	1	89	Olieafdichting	1
63	Ø15 Veerpakking voor lager	1			



## Onderdelenlijst (Artikelnr.: 210017)



NL

Nr. onderdeel	Naam onderdeel	Aantal	Nr. onderdeel	Naam onderdeel	Aantal
101	Behuizing	1	118	Pen van riemwiel	1
102	Actieve duig	1	119	RiemSV.400	2
103	Voedselblad	1	120	Ondersteunende basis	1
104	Beschermschijf mes	1	121	Kabelmantel	1
105	Mes	1	122	Vleeschraaper	1
106	Beschermring mes	1	123	Knopkap	1
107	Beugel lade	1	124	Knopschakelaar	1
108	Vaste arm voedsel	1	125	Condensator	1
109	Huls vaste arm	1	126	Condensatorhouder	1
110	Handgreep	1	127	Schroef van gerichte staf	1
111	Plastic korrel	1	128	Knop met schaal	1
112	Motor	1	129	Veerring	1
113	Brikettering motor	1	130	Nok300	1
114	Netsnoer	1	131	Moederbord	1
115	Bouten mesbeschermer	1	132	Nokkenpen	1
116	Kogellager 6204	2	133	Schuifas	1
117	Riemwiel	1	134	Schuiver	1



Nr. onderdeel	Naam onderdeel	Aantal	Nr. onderdeel	Naam onderdeel	Aantal
135	Rubberen voetje	4	164	Ø 20Veerring voor lager	1
136	Brikettering schuifas	2	165	Ø 47Veerring voor gat	1
137	Relais	2	166	Kruiskopmoer beschermerschijf mes	1
138	Veer van schuifas	1	167	Bout handgreep vaste arm	1
139	Schuifas trekbeugel	1	168	Bout vingerplaat	2
140	Vierkante as	1	169	Moer vingerplaat	2
141	Trekbeugel	1	170	Knopbout beugel	1
142	Knop van trekbeugel	1	171	Knopmoer beugel	1
143	Slijperkap	2	172	Bout knop beugel	1
144	Knop	1	173	Borgschroef vierkante as	2
145	Fijne slijpschijf Ø45	2	174	Briketteringsbout schuifas	4
146	Pen van braamreinigingswiel	2	175	Bout schuifas	1
147	Veer van braamreinigingswiel	2	176	Ø 12Undee veerpakking	1
148	Grove slijpschijf Ø45	1	177	Afstandsplaat vleesschraper	2
149	Spanknop slijper	1	178	Bout vleesschraper	1
150	Ondersteunende basis buitenste ring	1	179	Steunpunt afstandsplaat lager	2
151	Ø 4.751Wiel	1	180	Steunpunt lagerbout	2
152	Pen van slijpsteen	1	181	Roestvrijstalen slot	1
153	Slijpbasis van subassemblage	2	182	Magneet	1
154	Pen van beschermring mes	1	183	Magneetschakelaar	1
155	Pen van voedsellade	1	184	Begrensd blok	1
156/156A	Vleesblokkeerbord	1	185	Microschakelaar	1
157	Beugel van schuifas	1	186	Lagerkap lade A	1
158	Klein riemwiel van motor	1	187	Lagerkap lade B	1
159	Schuifoverdrachtswiel	1	188	Steunpunt afstandsplaat lager	1
160	Handgreep trekbeugel	1	189	Olieafdichting	1
161	Schuifas608	1	190	Roestvrijstalen balk	1
162	Instelling riemwiel	1	191	Stelschroef voor beugel lade	1
163	Instelling slijper	1			

## Technische specificaties

Itemnr.	210031	210048	210000	210017	210086	970294
Bedrijfsspanning en frequentie	220-240V~ / 50 Hz					
Nominaal ingangsvermogen	200W	280W	320W	420W	320W	280W
Diameter mes	195 mm	220 mm	250 mm	300 mm	250 mm	220 mm
Beschermingsklasse waterdichtheid	IP33					
Beschermingsklasse	Klasse I					
Geluidsproductie	< 70 dB (A)					
Buitenafmetingen	400x400x (H)330 mm	440x420x (H)350 mm	485x420x (H)395 mm	600x480x (H)450 mm	485x420x (H)395 mm	440x420x (H)350 mm
Nettogewicht (ca.)	13,5 kg	14 kg	16 kg	26 kg	16 kg	14 kg

**Opmerking: Technische specificaties onderhevig aan verandering zonder kennisgeving.**

### Garantie

Elk defect waardoor de werking van het apparaat nadelig wordt beïnvloed dat zich binnen één jaar na aankoop van het apparaat voordoet, wordt gratis hersteld door reparatie of vervanging, mits het apparaat conform de instructies is gebruikt en onderhouden en niet op enigerlei wijze verkeerd is behandeld of misbruikt. Dit laat onverlet uw bij wet bepaalde rechten. Als de garantie van kracht is, vermeld dan waar en wanneer u het apparaat

hebt gekocht en sluit een aankoopbewijs bij (bijv. kassabon of factuur).

Gezien ons streven naar voortdurende verdere productontwikkeling behouden wij ons het recht voor, zonder voorafgaande kennisgeving wijzigingen aan te brengen aan product, verpakking en documentatie.

### Verwijdering & milieu

Bij de buitengebruikstelling van het apparaat, mag het niet met het overige huisafval worden verwijderd. In plaats daarvan is het uw verantwoordelijkheid om uw afgedankte apparatuur in te leveren bij een daartoe aangewezen inzamelpunt. Het niet opvolgen van deze regel kan worden bestraft in overeenstemming met de geldende voorschriften voor afvalverwerking. De gescheiden inzameling en recycling van uw afgedankte apparatuur ten tijde van buitengebruikstelling helpt bij de instandhouding van natuurlijke hulpbronnen en waarborgt dat de

apparatuur wordt gerecycled op een manier die de volksgezondheid en het milieu beschermt.

Voor meer informatie over waar u uw afval kunt inleveren voor recycling kunt u contact opnemen met uw lokale afvalverwerkingsbedrijf. De fabrikant en importeurs nemen geen verantwoordelijkheid voor de recycling, behandeling en ecologische verwijdering, hetzij rechtstreeks of via een openbaar systeem.


NL



Drogi Kliencie,

Dziękujemy za zakup tego urządzenia HENDI. Przeczytaj uważnie tę instrukcję, zwracając szczególną uwagę na przepisy bezpieczeństwa przedstawione poniżej, przed zainstalowaniem i używaniem tego urządzenia po raz pierwszy.

## Przepisy bezpieczeństwa




- Niniejsze urządzenie przeznaczone jest wyłącznie do użytku komercyjnego.
- Urządzenie należy używać wyłącznie zgodnie z przeznaczeniem, do którego zostało zaprojektowane zgodnie z opisem w niniejszej instrukcji.
- Producent nie ponosi odpowiedzialności za jakiegokolwiek szkody spowodowane nieprawidłowym działaniem i niewłaściwym użyciem.
- Przechowywać urządzenie i wtyczkę elektryczną z dala od wody i innych płynów. W przypadku, gdy urządzenie wpadnie do wody, natychmiast wyjmij wtyczkę zasilającą z gniazda. Nie używać urządzenia, dopóki nie zostanie sprawdzone przez certyfikowanego technika. Nieprzestrzeganie tych instrukcji spowoduje zagrożenie dla życia.
- Nigdy nie próbuj samodzielnie otwierać obudowy urządzenia.
- Nie wkładaj przedmiotów do obudowy urządzenia.
- Nie dotykać wtyczki mokrymi lub wilgotnymi dłońmi.
-  **Niebezpieczeństwo porażenia prądem!** Nie próbuj samodzielnie naprawiać urządzenia, naprawy mogą być wykonywane wyłącznie przez wykwalifikowany personel..
- **Nigdy nie używaj uszkodzonego urządzenia!** Po uszkodzeniu odłącz urządzenie od gniazda i skontaktuj się ze sprzedawcą.
- **Ostrzeżenie!** Nie zanurzaj części elektrycznych urządzenia w wodzie lub innych płynach.
- Nigdy nie trzymaj urządzenia pod bieżącą wodą.
- Regularnie sprawdzaj wtyczkę zasilającą i przewód pod kątem uszkodzeń. W przypadku uszkodzenia musi zostać zastąpiony przez agenta serwisowego lub podobnie wykwalifikowaną osobę w celu uniknięcia niebezpieczeństwa lub obrażeń.
- Upewnij się, że przewód nie styka się z ostrymi lub gorącymi przedmiotami i trzymaj go z dala od otwartego ognia. Nigdy nie pociągaj za przewód zasilający, aby odłączyć go od gniazda, zawsze za wtyczkę.
- Upewnij się, że przewód zasilający i/lub przedłużacz nie powodują zagrożenia przejazdem.
- Nigdy nie pozostawiaj urządzenia bez nadzoru podczas użytkowania.
- **Ostrzeżenie!** Dopóki wtyczka znajduje się w gnieździe, urządzenie jest podłączone do źródła zasilania.
- Wyłącz urządzenie przed odłączeniem go od gniazda.
- Podłącz wtyczkę do łatwo dostępnego gniazdka elektrycznego, aby w nagłych wypadkach urządzenie mogło zostać natychmiast odłączone.
- Nigdy nie noś urządzenia za przewód.
- Nie należy używać żadnych dodatkowych urządzeń, które nie są dostarczane razem z urządzeniem.
- Podłącz urządzenie tylko do gniazdka elektrycznego z napięciem i częstotliwością wymienioną na etykiecie urządzenia.

PL



- Nigdy nie używaj akcesoriów innych niż zalecane przez producenta. Niezastosowanie się do tego może stanowić zagrożenie dla bezpieczeństwa użytkownika i spowodować uszkodzenie urządzenia. Używaj tylko oryginalnych części i akcesoriów.
- Urządzenie to nie powinno być obsługiwane przez osoby o ograniczonych możliwościach fizycznych, sensorycznych lub umysłowych, ani osoby, które mają brak doświadczenia i wiedzy.
- Urządzenie to w żadnym wypadku nie powinno być używane przez dzieci.
- Przechowywać urządzenie i jego przewód zasilający w miejscu niedostępnym dla dzieci.
- **OSTRZEŻENIE: ZAWSZE** wyłączyć urządzenie i odłączyć od gniazdka elektrycznego przed czyszczeniem, konserwacją lub przechowywaniem.

## Szczególne zasady bezpieczeństwa

-  **UWAGA!** Odłącz wtyczkę przed czyszczeniem, konserwacją lub naprawą!
-  **UWAGA!** Wymagana obsługa przez dwie osoby!
-  **UWAGA!** Przeczytaj instrukcję obsługi przed uruchomieniem, czyszczeniem lub konserwacją!
- Produkty przeznaczone do krojenia muszą być rozmrożone, bez kości i rozpakowane. Urządzenie nie jest przeznaczone do krojenia żywności mrożonej, warzyw lub do innego celu.
- Korzystaj z urządzenia wyłącznie w sposób opisany w instrukcji.
- Każde inne zastosowanie może prowadzić do uszkodzenia urządzenia lub obrażeń ciała.
- To urządzenie może być obsługiwane wyłącznie przez przeszkolony personel.
- Nie umieszczaj urządzenia na przedmiotach generujących ciepło (kuchenka gazowa, elektryczna itp). Utrzymywać urządzenie z dala od gorących powierzchni i otwartego ognia. Korzystać z urządzenia wyłącznie na równej, stabilnej, poziomej, czystej i suchej powierzchni odpornej na wysokie temperatury.
- **Uwaga, ryzyko zranienia!** Podczas obsługi noża, konieczna jest wzmożona ostrożność, zwłaszcza podczas demontażu ostrza. W razie potrzeby założyć rękawice ochronne (nie dotądzone).
- **Uwaga!** Zabezpieczyć przewód zasilający, tak aby zapobiec przed przypadkowym potknięciem lub upadkiem
- Nie korzystać z urządzenie przed poprawnym zamocowaniem noża, ostony noża oraz tacki na jedzenie.
- Nie używaj urządzenia w pobliżu wybuchowych i łatwopalnych materiałów, kart kredytowych, dysków magnetycznych czy urządzeń radiowych.
- Nigdy nie próbuj omijać zabezpieczeń urządzenia.
- **OSTRZEŻENIE:** Nie zastanij otworów wentylacyjnych urządzenia.
- **OSTRZEŻENIE: ZAWSZE** wyłącz urządzenie i odłącz je od źródła zasilania przed przystąpieniem do czyszczenia, konserwacji lub przechowywaniem.



- **OSTRZEŻENIE: ZAWSZE** trzymaj ręce, długie włosy oraz części ubrania zdala od ruchomych elementów urządzenia.
- Zachowaj 20cm przestrzeń wokół urządzenia podczas użytkowania w celu odpowiedniej wentylacji.
- **OSTRZEŻENIE: Zachowaj** szczególną ostrożność podczas obsługi tarczy tnącej. Załóż w razie potrzeby rękawice ochronne (nie dołączone do urządzenia).

---

### Przeznaczenie

- Urządzenie przeznaczone jest do zastosowania profesjonalnego.
- Urządzenie jest przeznaczone tylko do krojenia artykułów spożywczych, np. mięsa, sery, pieczywo itp. Użycie urządzenia w jakimkolwiek innym celu może prowadzić do jego uszkodzenia lub do obrażeń ciała.
- Wykorzystanie urządzenia w jakimkolwiek innym celu uznane będzie za wykorzystanie niezgodne z przeznaczeniem. Użytkownik będzie wyłącznie odpowiedzialny za nieprawidłowe wykorzystanie urządzenia.

---

### Instalacja uziemienia

Urządzenie to jest klasyfikowane jako **klasa ochrony I** i musi być potączone z podłożem ochronnym. Uziemienie zmniejsza ryzyko porażenia prądem elektrycznym, dostarczając przewód ewakuacyjny dla prądu elektrycznego. To urządzenie jest wy-

posażone w przewód zasilający, który ma przewód uziemiający i uziemioną wtyczkę. Wtyczka musi być podłączona do gniazdka, które jest prawidłowo zainstalowane i uziemione.

PL

---

### Informacje o krajalnicy

#### Ogólne środki ostrożności

- Krajalnica może być obsługiwana wyłącznie przez odpowiednio wykwalifikowane osoby, które zapoznają się ze środkami bezpieczeństwa opisanymi w instrukcji.
- W przypadku zmian personelu, należy przeprowadzić szkolenie.
- Mimo że krajalnica jest wyposażona w zabezpieczenia niebezpiecznych miejsc, nie dotykaj noża ani ruchomych elementów.
- Przed przystąpieniem do mycia i konserwacji, odłącz krajalnicę od zasilania.
- Należy wziąć pod uwagę ryzyko resztkowe, kiedy zabezpieczenia są zdjęte w celu przeprowadzenia mycia i konserwacji.
- Mycie i konserwacja wymagają skupienia.
- Regularna kontrola przewodu zasilającego jest absolutnie konieczna. Zużyty lub uszkodzony przewód może stanowić duże ryzyko porażenia prądem.
- Jeśli krajalnica działa nieprawidłowo koniecznie zaprzestań jej użytkowania i powstrzymaj się od samodzielnej naprawy. Skontaktuj się z autoryzowanym serwisem.
- **Nie wolno używać krajalnicy do krojenia zamrożonych produktów, mięsa z kośćmi lub ryb z ośćmi ani innych produktów innych niż żywnościowe.**
- **Nie wolno obsługiwać krajalnicy bez pomocy dociskacza, kiedy do pokrojenia pozostał mały kawałek mięsa.**
- **Nie przyjmuj niebezpiecznych pozycji, nóż może powodować obrażenia.**

Producent i/lub sprzedawca nie ponosi odpowiedzialności w następujących przypadkach:

- jeśli w krajalnicę ingerował nieupoważniony personel;
- jeśli niektóre części zostały wymienione na nieoryginalne części zamienne;
- jeśli instrukcje zawarte w niniejszym dokumencie nie są dokładnie przestrzegane;
- jeśli krajalnica nie jest czyszczona i oliwiona odpowiednimi produktami.



## Systemy bezpieczeństwa zamontowane w krajalnicy

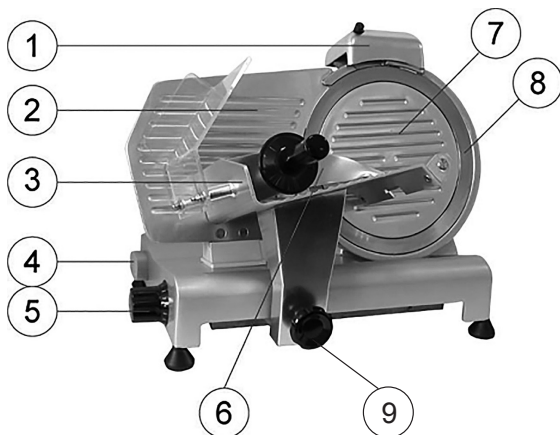
Krajalnica wyposażona jest w:

- mikroprzełącznik, który wyłącza krajalnicę jeśli drążek mocujący ostonę noża został wyjęty; mikroprzełącznik nie pozwala na ponowne uruchomienie krajalnicy jeśli ostona nie jest ustawiona w pozycji wyłączonej.
- przełącznik w skrzynce sterującej, który wymusza ponowne uruchomienie krajalnicy w przypadku wystąpienia przerwy w dostawie prądu.

Mimo że krajalnice są wyposażone w zabezpieczenia elektroniczne i mechaniczne (kiedy krajalnica pracuje oraz w trakcie konserwacji i mycia), wciąż istnieje **RYZIKO RESZTKOWE**, którego nie da się całkowicie wyeliminować. Ryzyko takie jest wyszczególnione w instrukcji pod znakiem **OSTRZEŻENIE**. Nóż i inne części urządzenia mogą prowadzić do skaleczeń i obrażeń.

## Główne części urządzenia

- 1 Ostrzałka
- 2 Kraweź boczna wózka
- 3 Wózek
- 4 Włącznik  
[Białe (I): Włączone;  
Czarne (O): Wyłączone]
- 5 Pokrętko grubości krojenia
- 6 Dociskacz produktu
- 7 Ostona osi
- 8 Ostrze
- 9 Błokada wózek
- 10 Wkręt ostony ostrza  
[niewidoczny na zdjęciu]

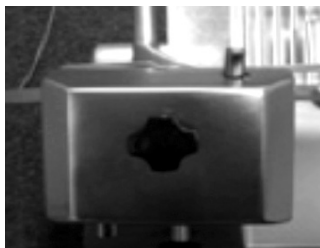


## Przed pierwszym użyciem

- Upewnij się, że nie brakuje żadnych części. W przeciwnym razie, skontaktuj się z dostawcą.
- Usuń materiał opakowania.
- Zachowaj opakowanie na wypadek konieczności spakowania urządzenia w przyszłości.
- Należy sprawdzić, czy urządzenie jest kompletne i czy nie zostało uszkodzone podczas transportu. W przypadku braku części lub uszkodzenia należy natychmiast skontaktować się z dostawcą. NIE wolno używać urządzenia. (Zobacz ==> Gwarancja).
- Wyczyść ostrze. Uwaga: jest ono bardzo ostre! (W razie potrzeby należy korzystać z rękawic, brak w zestawie)
- Pozostaw wolną przestrzeń min.10 cm wokół urządzenia, aby zapewnić odpowiednią wentylację.
- Ustaw urządzenie w taki sposób, aby umożliwić swobodny dostęp do wtyczki.
- Jeśli ostrzatka nie jest zamontowana, postępuj zgodnie z poniższymi wskazówkami:



1. Widok z góry



2. Zamontuj moduł ostrzatki w taki sposób, aby ostrze nie poruszało się między kamieniami ostrzątki.



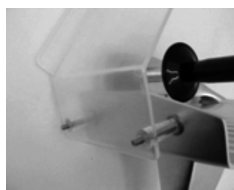
3. Zaciśnij uchwyt, aby ostrzatka pozostała nieruchomo na miejscu. Przed użyciem urządzenia upewnij się, że ostrzatka jest stabilnie zamontowana.

**UWAGA! Ostrzatka została wyposażona w wyłącznik bezpieczeństwa. W przypadku gdy nie jest zamontowana w odpowiedni sposób, korzystanie z urządzenia będzie niemożliwe.**

- Zamontuj osłonę zabezpieczającą dłoń.



1. Umieść dwie śruby w wózku.



2. Zamocuj osłonę zabezpieczającą.



3. Umieść dwie podkładki na śrubach.



4. Nakręć dwie nakrętki kotkawkowe.

**UWAGA! Zaleca się, aby nie używać urządzenia, jeśli osłona zabezpieczająca dłoń nie jest zamocowana w sposób pokazany powyżej! Osłona ma ochronić użytkownika przed odniesieniem obrażeń. Jeśli nie zamontujesz zabezpieczeń, istnieje ryzyko odniesienia obrażeń.**

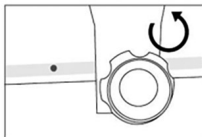


## Korzystanie z urządzenia

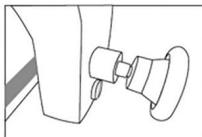
- Ustaw urządzenie w taki sposób, aby włącznik był skierowany w stronę użytkownika
- Jeśli ostrzałka nie jest zamontowana, postępuj zgodnie z poniższymi wskazówkami:
  - Zamontuj ostrzałkę we wsporniku w taki sposób, aby ostrze nie wystawało poza kamienie ostrzące.
  - Dokręć śrubę bezpieczeństwa na ostrzałce.
  - Uwaga! Jest ono wyposażone w wyłącznik bezpieczeństwa, który automatycznie wyłączy urządzenie, jeśli zostanie usunięta ostrzałka.
- Włóż wtyczkę do gniazda sieciowego.
- Przekręć pokrętło ze skalą i ustaw wymaganą grubość krojenia.
- Włącz urządzenie, naciskając „BIAŁY (I)” przycisk przełącznika WŁ./WYŁ.
- Połóż produkt na wózku i ustaw dociskacz tak, aby stabilnie utrzymał produkt na miejscu. Upewnij się, że produkt przylega do krawędzi bocznej wózka.
- Po pokrojeniu produktu wyłączyć urządzenie, naciskając „CZARNY (O)” przycisk przełącznika WŁ./WYŁ.
- Ustaw pokrętło z powrotem na pozycję “0”.

## Blokowanie krajalnicy

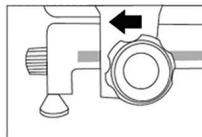
- 1 Przekręć pokrętło w stronę przeciwną do kierunku ruchu wskazówek zegara.



- 2 Przekręć pokrętło do momentu aż będzie całkowicie poluzowane

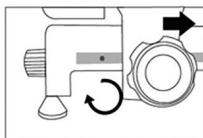


- 3 Ustaw wózek w odpowiedniej pozycji. Krajalnica zablokuje się automatycznie



## Odblokowanie krajalnicy

- 1 Przekręć pokrętło zgodnie z kierunkiem ruchu wskazówek zegara, aby odblokować krajalnicę. Pokrętło powinno być przekręcone do końca, tak aby utrzymało wózek w stabilnej pozycji.



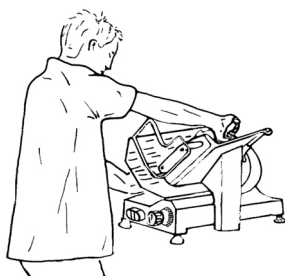
## Układanie i krojenie żywności

**OSTRZEŻENIE:** Produkty przeznaczone do krojenia mogą być układane na tacce na żywność tylko jeśli pokrętko regulacyjne jest ustawione w położeniu „0”, należy też zwrócić szczególną uwagę na nóż i ostre krawędzie.

Procedura przebiega następująco:

- po umieszczeniu produktu na tacce na żywność i oparciu o podstawkę, zablokuj go ramieniem z uchwytami;
- obracaj pokrętko regulacyjne w celu otrzymania požądanej grubości plasterów;
- aby uniknąć wypadków, osoba obsługująca krawalnicę musi stać przodem do urządzenia w odpowiedniej pozycji: oprzeć prawą rękę na dociskaczu do mięsa, a lewą obok deflektora (**nie dotykać noża**); ciało musi być w pozycji prostopadłej do blatu roboczego (patrz Rys. 1a). **OSTRZEŻENIE: Zwróć szczególną uwagę: żadna część ciała nie może mieć kontaktu z nożem** (patrz Rys. 1b);

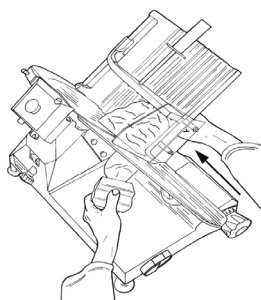
- naciśnij przycisk włączania „I”;
- równomiernie przesuwaj wózek (tacka na żywność + dociskacz do mięsa + wspornik) w kierunku noża, nie dociskając żywności dociskaczem, ponieważ jest dociskana do podstawki pod własnym ciężarem. Nóż z łatwością potnie żywność, a plastry zostaną poprowadzone przez deflektor na tackę (patrz Rys. 2);
- nie obsługuj krawalnicy bez żywności;
- po pocięciu żywności ustaw pokrętko regulacyjne w pozycji „0” i wyłącz urządzenie, ustawiając przetacznik w pozycji „0”;
- naostrz nóż jak tylko pocięte kawałki będą nierówne lub postrzępione, a krojenie stanie się utrudnione (patrz. Ostrzenie noża).



Rys. 1a – Prawidłowa pozycja



Rys. 1b – Zła pozycja



Rys. 2 – Krojenie mięsa

## Ostrzenie noża

**OSTRZEŻENIE:** Przed przystąpieniem do ostrzenia noża należy zwrócić uwagę na RYZYKO RESZTKOWE (patrz Elektryczny system bezpieczeństwa), które odnosi się do ryzyka obrażeń w przypadku nieprzestrzegania poniższych instrukcji.

Nóż musi być ostrzony co jakiś czas, kiedy tylko stanie się tępy. Należy wypełnić szczegółowe instrukcje:

- po odłączeniu wtyczki od gniazdka, dobrze wyczyścić nóż alkoholem, aby usunąć tłuszcz;
- odkręć pokrętło (poz.1, Rys.3a), unieś ostrzałkę (poz.2, Rys.3a) do pozycji w której się zablokuje i obróć o 180°.

Następnie przesunij ją do końca, tak aby ostrze noża znajdowało się pomiędzy dwiema ostrzałkami. Zablokuj pokrętło;

- włącz krajalnicę, przetaczając przycisk do pozycji „I” (ON);
- naciśnij guzik (poz. 3 Rys. 3b); pozwól, aby ostrze noża ocierało się o ostrzałkę przez około 30/40 sekund, aż na krawędzi ostrza noża utworzy się zadziór;
- naciśnij jednocześnie przyciski (poz. 3 i 4, Rys 3c) przez 3-4 sekundy, następnie zwolnij oba przyciski.
- wyczyść ostrzałki po zakończeniu ostrzenia (patrz **Mycie ostrzałki**);

- po zakończeniu ostrzenia, przywróć krajalnicę do pierwotnego stanu poprzez odwrócenie procedury.
- Po ostrzeniu bezwzględnie umyj nóż krajalnicy (patrz **Mycie noża i osłony noża**).

**UWAGA:** Nie przeciągaj usuwania zadziorów powyżej 3-4 sek., aby uniknąć niebezpiecznego skrzywienia krawędzi tnącej.

**Ostrze wymień, gdy nie ma możliwości dalszego ostrzenia noża lub gdy odległość między krawędzią ostrza a osłoną noża przekracza 6 mm.**

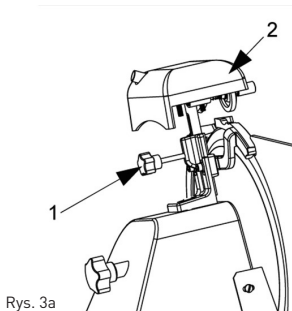
## Standardowe mycie

### Cechy ogólne

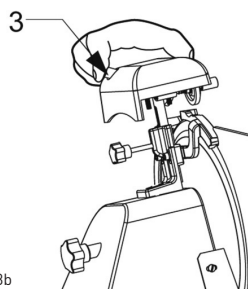
- Mycie krajalnicy przeprowadzaj przynajmniej raz dziennie lub częściej, w zależności od potrzeby.
- Mycie musi być szczególnie dokładne w przypadku części krajalnic mających bezpośredni lub pośredni kontakt z żywnością.
- Krajalnicy nie wolno czyścić myjką ani strumieniem wody pod ciśnieniem, używaj tylko wody i neutralnego detergentu. **Nie stosuj innych detergentów.** Nie wolno używać narzędzi, szczotek i innych przedmiotów, które mogą uszkodzić powierzchnię krajalnicy.

- Przed przystąpieniem do czyszczenia koniecznie:
- odłącz wtyczkę zasilania od gniazdka, aby całkowicie odciąć krajalnicę od prądu;
  - ustaw pokrętło regulujące w pozycji „0”.

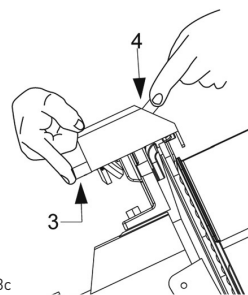
**OSTRZEŻENIE:** Zwróć uwagę na ryzyko resztkowe spowodowane tnącymi i/lub ostrymi powierzchniami. W razie potrzeby założycie rękawice ochronne (nie dotęczone).



Rys. 3a



Rys. 3b



Rys. 3c

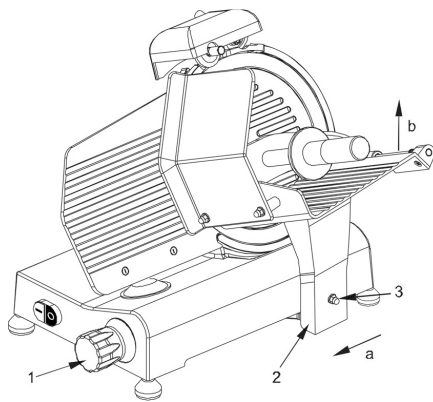


## Procedura mycia krawalnicy

### Mycie tacki na żywność

Wózek (tacka na żywność + ramię + wspornik) można łatwo zdemontować:

- ustaw pokrętko regulujące w pozycji „0” [1].
- ustaw wózek (poz. 2) na końcu przesuwu (poz. a), w pobliżu elementów sterowania;
- odkręć śrubę [poz. 3], przesunąć wózek w górę (poz. b);
- po zdemontowaniu wózka dokładnie umyj tackę na żywność przy pomocy gorącej wody i neutralnego detergentu (pH 7).



Zdemontowanie wózka.

### Mycie noża i ostony noża

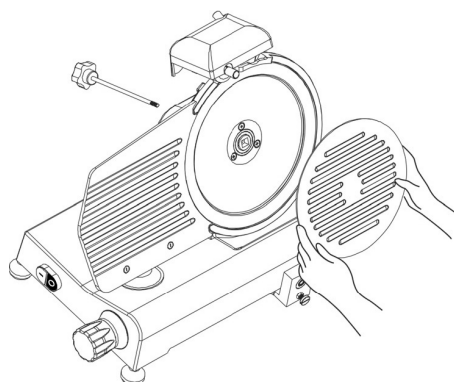
- Zdejmij ostonę ostrza, odkręcając kotek z tyłu urządzenia (patrz Rys. 4).

**OSTRZEŻENIE: nóż czyść mokrą szmatką, w metalowych rękawicach.**

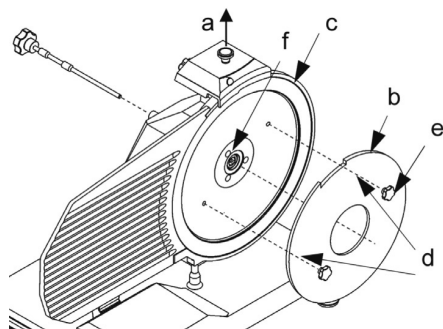
Aby umyć nóż z drugiej strony, zdejmij go (patrz Rys. 5).

Nóż zdejmuje się w następujący sposób:

- zdejmij ostonę noża (patrz rys. 5);
- zdejmij ostrzałkę (a) i obróć pokrętko regulujące, aby przyrząd z plexi do zdejmowania noża (b) przylegał do niego;
- poluzuj 3 lub 4 (w zależności od modelu) śruby (f) mocujące nóż;
- przyłóż przyrząd z plexi (b) (niedostarczone w zestawie) do zdejmowania noża, tak aby dwie śruby (e) weszły do otworów w nożu, obracaj nóż, aż znajdzie się w odpowiedniej pozycji;
- lekko dokręć śrubę (e).



Rys. 4 – Zdejmowanie ostony noża



Rys. 5 – Zakładanie przyrządu z plexi (b) w celu zdjęcia noża

**UWAGA: ostonę noża myj gorącą wodą z neutralnym detergenciem.**

### Mycie ostrzałki

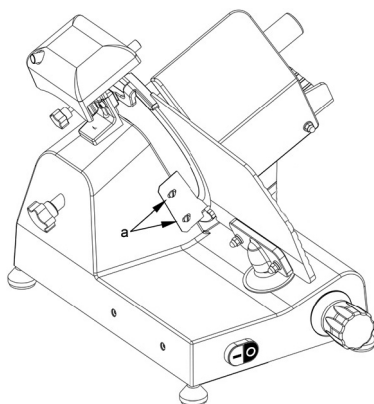
Mycie ostrzałki polega na wyczyszczeniu kamieni ostrzałki szczotką. Kamienie ostrzałki muszą znajdo-

wać się w pozycji zablokowanej, czyli muszą być zwrócone w stronę przeciwną do noża.

## Mycie deflektora

Aby zdjąć deflektor odkręć dwie śruby (a) mocujące (patrz Rys. 6).

Umyj deflektor gorącą wodą z neutralnym detergen-tem.



Rys.8 - Widok na deflektor

## Konserwacja

### Cechy ogólne

Przed przystąpieniem do konserwacji:

- Odłącz wtyczkę zasilania od gniazdka, aby całkowicie odciąć krawalnicę od prądu.
- Ustaw pokrętko regulujące grubość cięcia w pozycji „0”.

### Pasek

Nie regulować paska. Zazwyczaj wymieniać go po 3-4 latach. W tym celu koniecznie skontaktuj się z autoryzowanym serwisem.

### Nóżki

Nóżki mogą ulec zniszczeniu i utracić elastyczność, co ma negatywny wpływ na stabilność krawalnicy. W takim przypadku bezwzględnie je wymienić. W tym celu koniecznie skontaktuj się z autoryzowanym serwisem.

### Przewód zasilający

Okresowo sprawdzać zużycie przewodu zasilającego, w razie konieczności skontaktuj się z „autoryzowanym serwisem” w celu jego wymiany.

### Nóż

Regularnie sprawdzaj, czy nóż nie zmniejszył się o więcej niż 10 mm w stosunku do pierwotnej średnicy. W celu wymiany noża, skontaktuj się z autoryzowanym serwisem.

### Ostrzałki

Regularnie sprawdzaj, czy ostrzałki zachowały odpowiednie właściwości ściernie w trakcie ostrzenia. Aby nie uszkodzić noża, muszą być one okresowo wymieniane. W tym celu koniecznie skontaktuj się z autoryzowanym serwisem.

### Oliwienie prowadnic

Co jakiś czas nalej kilka kropli oleju na okrągłą prowadnicę, po której porusza się wózek. Czynność tę wykonaj przez otwór (OIL) obok pokrętła regulacyjnego.



## Oznakowanie panelu przycisków

Jeśli oznakowanie panelu przycisków uległo uszkodzeniu, skontaktuj się bezwzględnie z autoryzowanym serwisem w celu jego wymiany.

## Utylizacja urządzenia

### Wyłączanie urządzenia z użytku

Jeśli z jakiegoś powodu zajdzie konieczność wyłączenia urządzenia z użytku, upewnij się, że nikt nie będzie w stanie go użyć: odłącz je od prądu aby wyeliminować połączenia elektryczne.

## Przechowywanie

- Przed schowaniem urządzenia należy upewnić się, że zostało odłączone od gniazdka elektrycznego i jest całkowicie schłodzone.
- Urządzenie należy przechowywać w chłodnym, czystym i suchym miejscu.

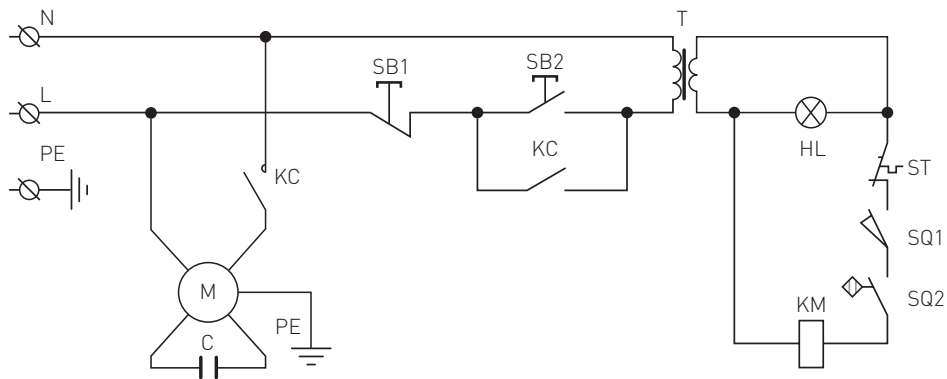
## Rozwiązywanie problemów

Jeżeli urządzenie nie działa prawidłowo, spróbuj znaleźć rozwiązanie w poniższej tabeli. Jeżeli nadal nie możesz rozwiązać problemu, należy skontaktować się z dostawcą/dostawcą usługi.

Problem	Możliwa przyczyna	Rozwiązanie
Urządzenie kroi nierówno	Stępione ostrze	Ostrze wymaga naostrzenia
	Brudne urządzenie	Wyczyść urządzenie
Urządzenie nie kroi	Silnik się przegrzał	Zostaw maszynę do ostygnięcia na dłuższy czas. Termostat bezpieczeństwa na silniku, automatycznie zresetuje się.
Wózek się nie przesuwa	Zabrudzony pręt, po którym porusza się wózek.	Reinig de glijstang en smeer met vaseline
	Części żywności przyklejają się do ostrza.	Wyłączyć urządzenie i odłączyć je od zasilania. Zaczekać, aż się całkowicie zatrzyma. Usunąć wszelkie przeszkadzające fragmenty żywności. Wyrzeć ostrze wilgotną szmatką.
Ostrze przestaje się obracać podczas krojenia produktu	Zużyty lub zabrudzony pasek napędowy	Skontaktować się z dostawcą

## Schemat obwodu dla 210000, 210017, 210031, 210048, 210086, 970294

Napięcie wejściowe AC: AC220-240V 50Hz

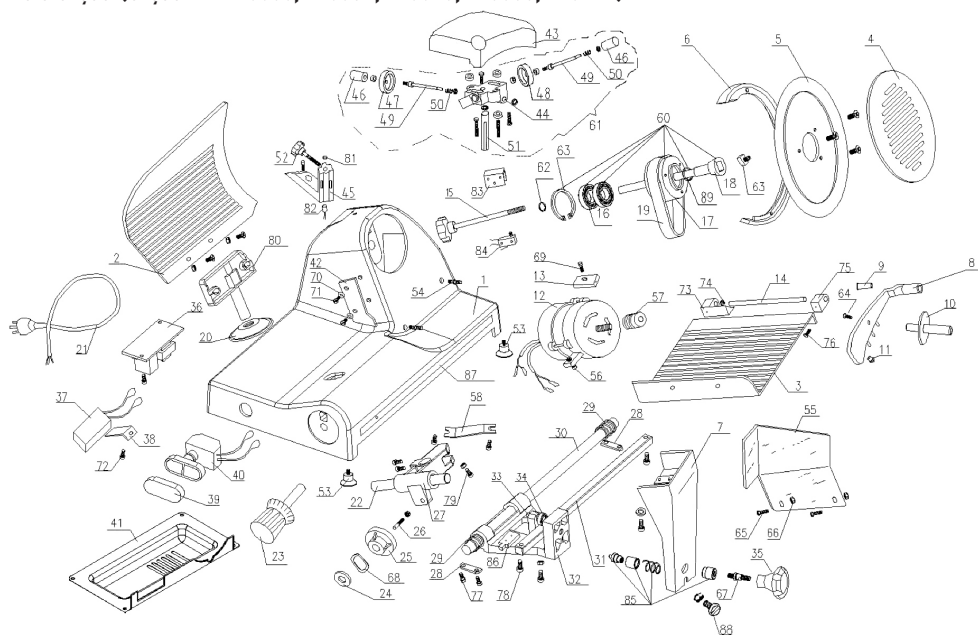


M : Silnik  
T : Transformator  
C : Kondensator  
PE : Przewód ochronny (uziemienie)  
L : Przewód fazowy  
N : Przewód neutralny

SB1, SB2 : Włącznik  
KC : Przełącznik  
HL : Żarówka  
ST : Bezpiecznik termiczny  
SQ1, SQ2 : Mikro włącznik



## Lista części (część nr : 210000, 210031, 210048, 210086, 970294)



Nr części	Nazwa części	Ilość	Nr części	Nazwa części	Ilość
1	Obudowa	1	20	Przykrycie suwaka	1
2	Aktywna deska	1	21	Przewód zasilania	1
3	Taca na żywność	1	22	Oś suwaka	1
4	Tarcza ochronna ostrza	1	23	Pokrętło z podziałką	1
5	Ostrze	1	24	Uszczelka sprężynowa	1
6	Pierścień ochronny ostrza	1	25	Krzywka	1
7	Wspornik tacy	1	26	Oś krzywki	1
8	Stałe ramię do żywności	1	27	Suwak	1
9	Tuleja stałego ramienia	1	28	Podkładka osi suwaka	2
10	Rączka stałego ramienia	1	29	Sprężyna osi wózka	2
11	Plastikowa granulka	1	30	Oś wózka	1
12	Silnik	1	31	Oś czworoboczna	1
13	Podkładka silnika	1	32	Wózek	1
14	Bolec stałego ramienia Ø12x185	1	33	Wkręt sześciokątny M8 x 35	1
15	Wkręty ostony ostrza	1	34	Łożysko kulkowe 607	1
16	Łożysko kulkowe 6202	2	35	Pokrętło pokrywy wózka	1
17	Rolka ostrza Ø66	1	36	Przełącznik	1
18	Bolec rolki	1	37	Kondensator	1
19	Pasek SV.330	2	38	Ostona kondensatora	1

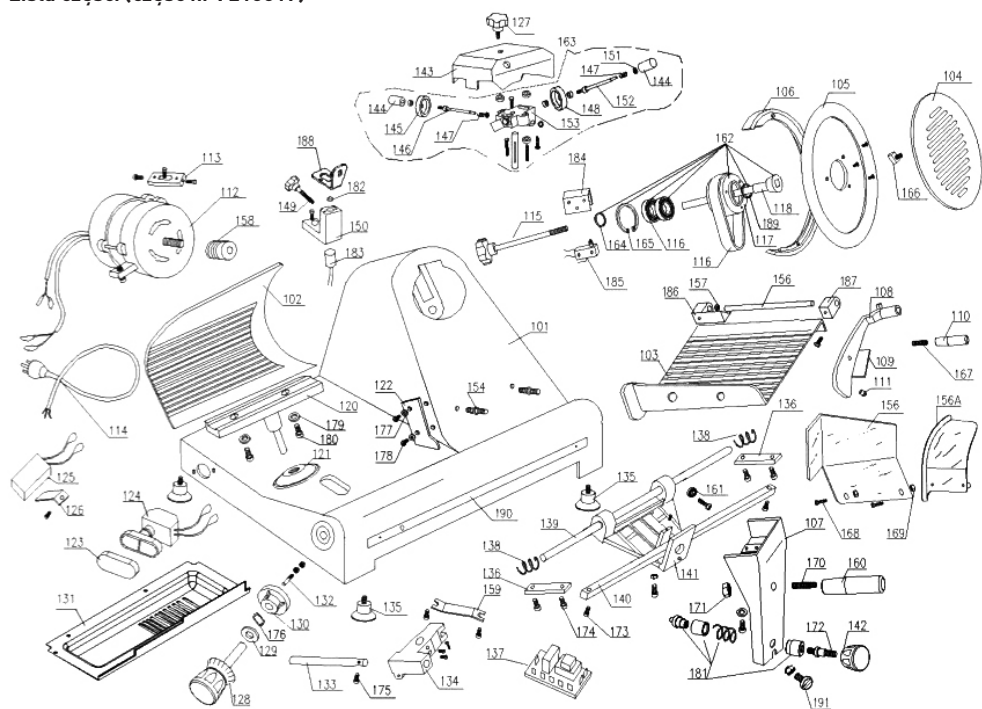




Nr części	Nazwa części	Ilość	Nr części	Nazwa części	Ilość
39	Przykrycie przycisku	1	65	Bolec rączki stałego ramienia	1
40	Przetątnik przycisku	1	66	Śruba przegrody	2
41	Płyta główna	1	67	Nakrętka przegrody	2
42	Skrobaczka do mięsa	1	68	Śruba pokrętła wspornika	1
43	Przykrycie ostrzarki	1	69	Podkładka uszczelki sprężynowej	1
44	Podstawa ostrzarki	1	70	Śruba siłnika	1
45	Podstawa ostrzarki	1	71	Podkładka skrobaczki mięsa	2
46	Przycisk ostrzarki	2	72	Śruba skrobaczki mięsa	2
47	Drobno szlifujące kółko Ø45	1	73	Śruba mocująca wspornik kondensatora	1
48	Grubo szlifujące kółko Ø45	1	74	Pokrywa łożyska tacy A	1
49	Bolec ostrzarki	2	75	Wspornik deski do mięsa	1
50	Sprężyna	2	76	Pokrywa łożyska tacy B	1
51	Bolec wspornika ostrzarki	1	77	Śruba M6×12	2
52	Pokrętło dokręcania ostrzarki	1	78	Śruba podkładki osi suwaka	4
53	Trzpień aktywnej deski	1	79	Śruba blokująca osi czworobocznej	2
54	Gumowa stopka	4	80	Śruba do regulacji suwaka	1
55	Bolec pierścienia ochronnego ostrza	2	81	Magnes	1
56	Płytką blokująca mięso	1	82	Przetątnik magnesu	1
57	Wspornik osi suwaka	2	83	Blok aluminiowy	1
58	Mata rolka siłnika	1	84	Mikro włącznik	1
59	Sterownik suwaka	1	85	Zamek ze stali nierdzewnej	1
60	Montaż rolki	1	86	Ogranicznik	1
61	Ustawienie ostrzenia	1	87	Listwa ze stali nierdzewnej	1
62	Ø15 Uszczelka sprężynowa do łożyska	1	88	Śruba wspornika podajnika	1
63	Ø15 Uszczelka sprężynowa do łożyska	1	89	Uszczelka olejowa	1
64	Kwadratowa nakrętka tarczy ochronnej ostrza	1			



## Lista części (część nr : 210017)



Nr części	Nazwa części	Ilość	Nr części	Nazwa części	Ilość
101	Obudowa	1	119	Pasek SV.400	2
102	Aktywna deska	1	120	Podstawa wspierająca	1
103	Taca na żywność	1	121	Izolacja przewodu	1
104	Tarcza ochronna ostrza	1	122	Skrobaczka do mięsa	1
105	Ostrze	1	123	Przykrycie przycisku	1
106	Pierścień ochronny ostrza	1	124	Przełącznik przycisku	1
107	Wspornik tacy	1	125	Kondensator	1
108	Stałe ramię do żywności	1	126	Ostona kondensatora	1
109	Tuleja stałego ramienia	1	127	Śruba osi	1
110	Uchwyt	1	128	Pokrętło z podziałką	1
111	Plastikowa granulka	1	129	Uszczelka sprężynowa	1
112	Silnik	1	130	Krzywka 300	1
113	Podkładka silnika	1	131	Płyta główna	1
114	Przewód zasilania	1	132	Bolec krzywki	1
115	Wkręty ostony ostrza	1	133	Oś suwaka	1
116	Łożysko kulkowe 6204	2	134	Suwak	1
117	Rollka	1	135	Gumowa stopka	4
118	Bolec rolki	1	136	Podkładka osi suwaka	2



Nr części	Nazwa części	Ilość	Nr części	Nazwa części	Ilość
137	Przełożnik	1	165	Ø 47 Uszczelka sprężynowa	1
138	Sprężyna osi suwaka	2	166	Kwadratowa nakrętka tarczy ochronnej ostrza	1
139	Oś suwaka wózka	1	167	Bolec rączki statego ramienia	1
140	Oś czworoboczna	1	168	Śruba przegrody	2
141	Wózek	1	169	Nakrętka przegrody	2
142	Przycisk wózka	1	170	Śruba pokrętła wspornika	1
143	Przykrycie ostrzarki	1	171	Nakrętka pokrętła wspornika	1
144	Przycisk	2	172	Dolna śruba wspornika	1
145	Drobno szlifujące kółko Ø45	1	173	Śruba blokująca osi czworobocznej	2
146	Bolec kółka czyszczącego	2	174	Śruba podkładki osi suwaka	4
147	Sprężyna kółka czyszczącego	2	175	Śruba osi suwaka	1
148	Grubo szlifujące kółko Ø45	2	176	Podkładka uszczelki sprężynowej Ø 12	1
149	Pokrętło dokręcania ostrzarki	1	177	Podkładka skrobaczki mięsa	2
150	Podstawa zewnętrznego pierścienia	1	178	Śruba skrobaczki mięsa	1
151	Kółko Ø 4,751	1	179	Podkładka podstawy	2
152	Bolec ostrzarki	1	180	Śruba podstawy	2
153	Podstawa ostrzarki	1	181	Zamek ze stali nierdzewnej	1
154	Bolec pierścienia ochronnego ostrza	2	182	Magnes	1
155	Bolec tacy na żywność	1	183	Przetącznik magnesu	1
156/156A	Płytką blokująca mięso	1	184	Ogranicznik	1
157	Wspornik osi suwaka	1	185	Mikro włącznik	1
158	Mała rolka silnika	1	186	Pokrywa łożyska tacy A	1
159	Sterownik suwaka	1	187	Pokrywa łożyska tacy B	1
160	Rączka wózka	1	188	Podkładka podstawy	1
161	Oś suwaka 608	1	189	Uszczelka olejowa	1
162	Montaż rolki	1	190	Listwa ze stali nierdzewnej	1
163	Ustawienie ostrzenia	1	191	Śruba wspornika podajnika	1
164	Ø 20 Uszczelka sprężynowa do łożyska	1			



## Specyfikacja techniczna

Nr produktu	210031	210048	210000	210017	210086	970294
Napięcie robocze i częstotliwość	220-240V~ / 50 Hz					
Znamionowy pobór mocy	200W	280W	320W	420W	320W	280W
Średnica ostrza	195 mm	220 mm	250 mm	300 mm	250 mm	220 mm
Klasa wodoodporności	IP33					
Stopień ochrony	Klasa I					
Poziom hałasu	< 70 dB (A)					
Wymiary zewnętrzne	400x400x (H)330 mm	440x420x (H)350 mm	485x420x (H)395 mm	600x480x (H)450 mm	485x420x (H)395 mm	440x420x (H)350 mm
Waga netto (ok.)	13,5 kg	14 kg	16 kg	26 kg	16 kg	14 kg

**Uwagi: Specyfikacja techniczna może ulec zmianie bez uprzedzenia.**

### Gwarancja

Każda wada bądź usterka powodująca niewłaściwe funkcjonowanie urządzenia, która ujawni się w ciągu jednego roku od daty zakupu, zostanie bezpłatnie usunięta lub urządzenie zostanie wymienione na nowe, o ile było użytkowane i konserwowane zgodnie z instrukcją obsługi i nie było wykorzystywane w niewłaściwy sposób lub niezgodnie z przeznaczeniem. Postanowienie to w żadnej mierze nie narusza innych praw użytkownika wynikających z przepisów prawa. W przypadku zgłoszenia urzą-

dzenia do naprawy lub wymiany w ramach gwarancji należy podać miejsce i datę zakupu urządzenia i dołączyć dowód zakupu (np. paragon).

Zgodnie z naszą polityką ciągłego doskonalenia wyrobów zastrzegamy sobie prawo do wprowadzania bez uprzedzenia zmian w wyrobie, opakowaniu oraz danych technicznych podawanych w dokumentacji.

## Wycofanie z użytkowania i ochrona środowiska

### Pamiętaj!

**Nie wyrzucaj zużytego sprzętu łącznie z innymi odpadami**

**Nie demontuj zużytych urządzeń zawierających niebezpieczne składniki na własną rękę!**

**Grożą Ci za to kary grzywny!**

Po zakończeniu eksploatacji produktu nie wolno gromadzić razem z odpadami komunalnymi, tylko należy odstawić do punktu odbioru odpadów elektrycznych i elektronicznych. Użytkownik ponosi odpowiedzialność za przekazanie wycofanego z użytkowania urządzenia do punktu gospodarowania odpadami. Nieprzestrzeganie tej zasady może być karane zgodnie z lokalnie obowiązującymi przepisami dotyczącymi gospodarowania odpadami. Jeśli urządzenie wycofane z użytkowania jest poprawnie odebrane jako osobny odpad, może zostać przetworzone i zutylizowane w sposób przyjazny dla środowiska, co zmniejsza negatywny wpływ na środowisko i zdrowie ludzi. Aby uzyskać więcej informacji dotyczących dostępnych usług w zakresie odbioru odpadów, należy skontaktować się z lokalną firmą odbierającą odpady.



Symbol przekreślonego kosza na śmieci oznacza, że tego produktu nie wolno wyrzucać do zwykłych pojemników na odpady.

Zużyte urządzenia elektryczne i elektroniczne mogą zawierać niebezpieczne składniki np. rtęć, ołów, kadm lub freon. Jeśli tego typu substancje przedostaną się w sposób niekontrolowany do środowiska, spowodują skażenie wody i gleby, a także wpłyną niekorzystnie na zdrowie ludzi i zwierząt.

Właściwe postępowanie ze zużytym sprzętem zapobiega potencjalnym negatywnym konsekwencjom dla środowiska naturalnego i ludzkiego zdrowia.


Jednocześnie oszczędzamy naturalne zasoby naszej Ziemi wykorzystując powtórnie surowce uzyskane z przetwarzania sprzętu.



Cher client,

Merci d'avoir acheté cet appareil HENDI. Lisez attentivement ce manuel, en accordant une attention particulière aux règles de sécurité décrites ci-dessous, avant d'installer et d'utiliser cet appareil pour la première fois.

## Règlement sur la sécurité

- Cet appareil est destiné à un usage professionnel uniquement.
- N'utilisez l'appareil qu'aux fins prévues pour lesquelles il a été conçu comme décrit dans le présent manuel.
- Le fabricant n'est pas responsable des dommages causés par un mauvais fonctionnement et une mauvaise utilisation.
- Gardez l'appareil et la prise électrique à l'écart de l'eau et des autres liquides. Dans le cas où l'appareil tombe dans l'eau, retirez immédiatement la prise d'alimentation de la prise. N'utilisez pas l'appareil tant qu'elle n'a pas été vérifiée par un technicien certifié. Si vous ne respectez pas ces instructions, vous risquez de mettre la vie en danger.
- N'essayez jamais d'ouvrir le boîtier de l'appareil par vous-même.
- N'insérez pas d'objets dans le boîtier de l'appareil.
- Ne touchez pas la prise avec les mains mouillées ou humides.
-  **Danger de choc électrique!** N'essayez pas de réparer l'appareil par vous-même, les réparations doivent être effectuées uniquement par du personnel qualifié.
- **N'utilisez jamais un appareil endommagé!** Lorsqu'il est endommagé, débranchez l'appareil de la prise et contactez le détaillant.
- **Avertissement!** Ne pas immerger les parties électriques de l'appareil dans de l'eau ou d'autres liquides.
- Ne tenez jamais l'appareil sous l'eau courante.
- Vérifiez régulièrement la prise d'alimentation et le cordon pour tout dommage. Lorsqu'il est endommagé, il doit être remplacé par un agent de service ou une personne qualifiée de la même manière afin d'éviter un danger ou une blessure.
- Assurez-vous que le cordon n'entre pas en contact avec des objets tranchants ou chauds et maintenez-le à l'écart du feu ouvert. Ne tirez jamais le cordon d'alimentation pour le débrancher de la prise, tirez toujours la prise à la place.
- Assurez-vous que le cordon d'alimentation et/ou le rallonge ne présentent pas de risque de déclenchement.
- Ne laissez jamais l'appareil sans surveillance pendant l'utilisation.
- **Avertissement!** Tant que la prise est dans la prise, l'appareil est connecté à la source d'alimentation.
- Éteignez l'appareil avant de le débrancher de la prise.
- Connectez la prise d'alimentation à une prise électrique facilement accessible afin qu'en cas d'urgence l'appareil puisse être débranché immédiatement.
- Ne portez jamais l'appareil par le cordon.
- N'utilisez pas de périphériques supplémentaires qui ne sont pas fournis avec la solution

FR






matérielle-logicielle.

- Connectez uniquement l'appareil à une prise électrique dont la tension et la fréquence sont indiquées sur l'étiquette de l'appareil.
- N'utilisez jamais d'accessoires autres que ceux recommandés par le fabricant. Le fait de ne pas le faire pourrait présenter un risque pour la sécurité de l'utilisateur et pourrait endommager l'appareil. Utilisez uniquement des pièces et accessoires d'origine.
- Cet appareil ne doit pas être utilisé par des personnes ayant des capacités physiques, sensorielles ou mentales réduites, ou par des personnes qui ont un manque d'expérience et de connaissances.
- Cet appareil ne doit en aucun cas être utilisé par des enfants.
- Gardez l'appareil et son cordon d'alimentation hors de portée des enfants.
- **ATTENTION:** éteignez TOUJOURS l'appareil et débranchez de la prise d'alimentation avant le nettoyage, l'entretien ou le stockage.

---

## Règlement spécial sur la sécurité

-  **ATTENTION!** Débranchez avant de nettoyer, d'entretenir ou de réparer!
-  **ATTENTION!** Manipulation à deux personnes requises!
-  **ATTENTION!** Lire le manuel d'instructions avant toute utilisation, nettoyage ou entretien!
  - Les produits à découper doivent être décongelés, sans os ou emballage. L'appareil n'est pas destiné à découper les aliments surgelés, les légumes ou à d'autres fins.
  - Utilisez l'appareil uniquement conformément aux instructions présentées au mode d'emploi.
  - Toute autre utilisation peut entraîner des dommages à l'appareil ou des blessures.
  - Cet appareil peut être utilisé uniquement par un personnel qualifié.
  - Ne placez pas l'appareil sur les objets générant de la chaleur (cuisinière à gaz, électrique etc.). Tenez l'appareil loin des surfaces chaudes et des flammes nues. Utilisez l'appareil uniquement sur une surface plane, horizontale, stable, propre et sèche résistant à des températures élevées.
  - Attention, risque de blessures ! Pendant la manipulation d'une lame il est nécessaire de garder la plus grande prudence, en particulier lors du démontage de la lame. S'il n'est nécessaire, portez des gants de protection (non fournis).
  - **Attention !** Protégez le câble d'alimentation pour éviter de trébucher ou tomber.
  - N'utilisez pas l'appareil avant d'installer correctement la lame, la protection de la lame ou le plateau pour la nourriture.
  - N'utilisez pas l'appareil à proximité de matériaux explosifs ou inflammables, de cartes de crédits, de disques magnétiques ou de radios.
  - Ne modifiez jamais les verrous de sécurité.
  - **AVERTISSEMENT :** N'obstruez pas les orifices de ventilation.



- **AVERTISSEMENT** : Rappelez-vous TOUJOURS d'éteindre et de débrancher l'appareil de la source d'alimentation avant de nettoyer, d'entretenir ou de remplacer les accessoires.
- **AVERTISSEMENT !** Rappelez-vous TOUJOURS de ne pas porter de vêtements amples et de ne pas toucher les parties mobiles avec vos mains nues et d'attacher vos cheveux.
- Assurez un espace d'au moins 20 cm autour de l'appareil, pour garantir une ventilation adéquate pendant l'utilisation.
- **AVERTISSEMENT !** Faites une attention particulière lorsque vous touchez les disques à trancher. Si nécessaire, portez des gants de protection (non fournis).

---

### Destination de l'appareil

- L'appareil est destiné à un usage professionnel.
- L'appareil est conçu uniquement pour trancher des aliments, par ex. viande, fromage, pain, etc. L'utilisation de l'appareil à d'autres fins peut entraîner des dommages ou des blessures.
- L'utilisation de l'appareil à d'autres fins sera considérée comme une utilisation inappropriée. L'utilisateur sera seul responsable de l'utilisation incorrecte de l'appareil.

---

### Installation de mise à la terre

Cet appareil est classé dans la **classe de protection I** et doit être raccordé à un sol de protection. La mise à la terre réduit le risque de choc électrique en fournissant un fil d'évacuation pour le courant électrique. Cet appareil est équipé d'un cordon

d'alimentation muni d'un fil de mise à la terre et d'une prise mise à la terre. La fiche doit être branchée sur une prise correctement installée et mise à la terre.

FR

---

### Informations sur la trancheuse

#### Précautions générales

- La trancheuse doit être utilisée uniquement par les personnes qualifiées qui ont lu les informations sur les mesures de sécurité présentées dans le mode d'emploi.
- En cas de changement de personnel, il est nécessaire d'organiser la formation.
- Bien que la trancheuse est équipée des éléments de protection des endroits dangereux, il est recommandé de ne pas toucher la lame ou les pièces mobiles.
- Débranchez la prise électrique avant de nettoyer l'appareil.
- Prenez en considération le risque résiduel lorsque les éléments de protection sont retirés pour effectuer le nettoyage et l'entretien.
- Le nettoyage et l'entretien exigent de la concentration.
- Il est absolument nécessaire de contrôler le câble d'alimentation. Le câble d'alimentation usé ou détérioré peut présenter un risque élevé de choc électrique.
- Si la trancheuse ne fonctionne pas correctement, il est conseillé de cesser de l'utiliser et de ne pas

effectuer la réparation. Veuillez contacter un centre de service autorisé.

- **Il est interdit d'utiliser la trancheuse pour couper les produits congelés, la viande et les poissons avec les os ou d'autres produits, autres que la nourriture.**
- **Ne pas utiliser la trancheuse à l'aide de l'équerre de maintien quand il vos reste à couper un petit morceau de viande.**
- **Ne pas prendre une position dangereuse puisque la lame peut provoquer les dommages.**

Le fabricant et/ou le vendeur n'assume aucune possibilité dans les cas suivants:

- si la trancheuse a été réparé par les personnes non autorisées;
- si certaines pièces ont été remplacées par des pièces de rechanges non originales;
- si les instructions contenues dans le présent document ne sont pas strictement respectées;
- si la trancheuse n'est pas nettoyée et graissée en utilisant les produits adéquats.





## Systemes de securite installes dans la trancheuse

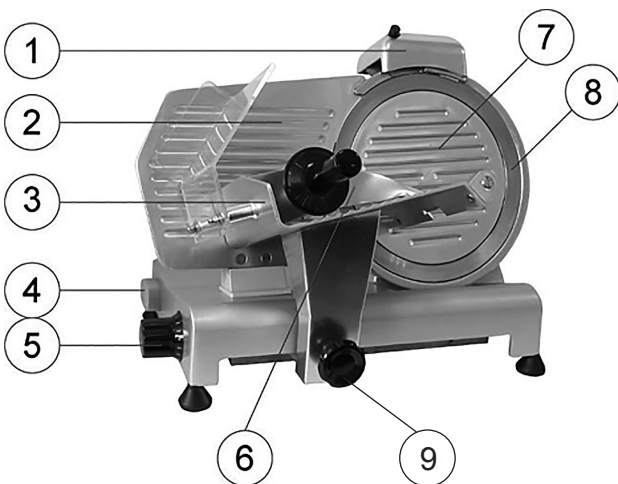
La trancheuse est ééquipée en:

- microinterrupteur qui désactive la trancheuse si la barre de fixation de la protection de la lame a été supprimé ; le microinterrupteur ne permet pas le redémarrage de la trancheuse si la protection n'est pas positionnée dans la position d'arrêt.
- relais dans la boîte de commande qui force le redémarrage dans la trancheuse en cas de panne de courant.

Bien que les trancheurs soient pourvus de protections électriques et protections électriques et mécaniques (lorsque la trancheuse fonctionne et pour les opérations de maintenance et de nettoyage), il existe encore des **RISQUES RÉSIDUELS** qui ne peuvent pas être complètement éliminés; ces risques sont spécifiés dans ce manuel sous la rubrique **AVERTISSEMENT**. La lame et d'autres parties de la machine peuvent provoquer des coupures et des blessures.

## Principales pièces de l'appareil

- 1 Affûteuse de lame
- 2 Plaque d'appui
- 3 Chariot
- 4 Bouton marche/arrêt  
[Blanc (I): ON; Noir (O): OFF]
- 5 Bouton de réglage d'épaisseur de tranche
- 6 Equerre de maintien du produit
- 7 Plaque couvre-lame
- 8 Lame
- 9 Verrou de chariot
- 10 Boulon de protecteur de lame  
(non affiché)



FR

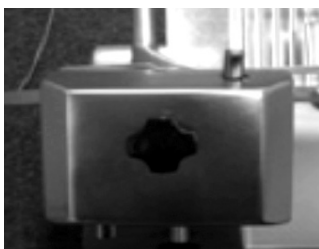


## Préparation avant la première utilisation

- Vérifiez que toutes les pièces sont livrées avec l'appareil. S'il vous manque un élément, prenez contact avec votre fournisseur.
- Enlevez tout le matériel d'emballage.
- Conservez l'emballage si vous avez l'intention de stocker votre appareil à l'avenir.
- Vérifier intégralement l'appareil et les dommages liés au transport. En cas de livraison incomplète ou de dommage, contacter immédiatement le fournisseur. NE PAS utiliser l'appareil. (Voir ==> Garantie).
- Nettoyez la lame. Soyez très prudent : la lame est très tranchante. (Utiliser des gants si nécessaire, non inclus)
- Veillez à ce qu'un espace libre d'au moins 10 cm demeure autour de l'appareil pour des raisons de ventilation.
- Installez l'appareil en veillant à ce que la prise de courant demeure accessible à tout moment.
- Si le dispositif d'aiguisage n'est pas monté, procédez de la façon suivante :



1. Vue de dessus de l'appareil



2. Positionnez le module d'aiguisage de sorte que la lame ne soit pas placée entre les petites meules

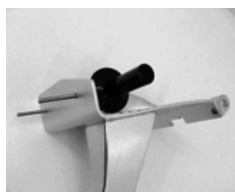


3. Fixez le dispositif d'aiguisage sur l'appareil en serrant la molette de fixation. Contrôlez que le dispositif d'aiguisage est bien fixé avant d'utiliser l'appareil.

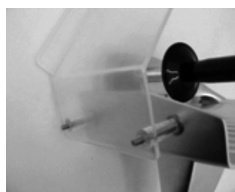
FR

**ATTENTION ! Le dispositif d'aiguisage est équipé d'un interrupteur de sécurité. Si le dispositif d'aiguisage n'est pas installé, vous ne pouvez pas mettre l'appareil en marche.**

- Montez la plaque de protection



1. Insérez les deux vis dans le chariot



2. Placez la plaque de protection



3. Placez les deux rondelles de blocage



4. Serrez les deux écrous à chapeau

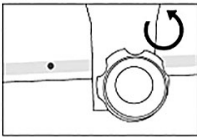
**ATTENTION: il est déconseillé d'utiliser l'appareil si celui-ci n'est pas équipé de la plaque de protection et des pieds montés correctement ! Ce sont des accessoires de sécurité qui protègent contre les blessures possibles. Si vous ne montez pas ces accessoires, il existe un risque de blessure pour l'utilisateur.**

## Mode d'emploi

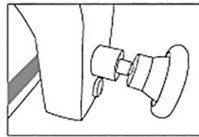
- Placez la machine de façon à ce que le bouton marche/arrêt soit face à l'utilisateur.
- Si l'affûteuse n'est pas installée, procéder de la façon suivante :
  - Placez l'affûteuse dans son support en veillant à ce que la lame ne tourne pas entre les affiloirs.
  - Serrez la vis de sécurité de l'affûteuse.
  - ATTENTION ! Utilisation sans l'équipement de meulage est dangereux ! HENDI vous conseille que vous utilisez la machine seulement avec équipement monté
- Branchez la fiche dans la prise murale.
- Ajustez l'épaisseur de tranche désirée en tournant le bouton gradué.
- Allumez l'appareil en appuyant sur le bouton "Blanc (I)" de l'interrupteur ON/OFF.
- Placez l'aliment à trancher sur le chariot. Bloquez le produit avec l'équerre de maintien. Veillez à ce que le produit repose sur la plaque d'appui.
- Après le tranchage du produit, éteignez l'appareil en appuyant sur le bouton "Noir (O)" de l'interrupteur ON/OFF.
- Remettez le bouton de réglage d'épaisseur en position "0".

## Verrouiller

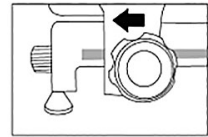
- ① Tournez le bouton pour régler l'épaisseur dans le sens contraire des aiguilles d'une montre



- ② Tournez jusqu'à ce que le bouton se desserre

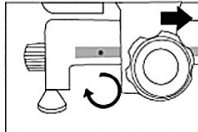


- ③ Poussez le chariot à gauche. Maintenant, la trancheuse doit être verrouillée



## Déverrouiller

- ④ Tournez le bouton pour régler l'épaisseur dans le sens des aiguilles d'une montre pour déverrouiller la trancheuse.



## Positionnement et coupe des produits alimentaires

**AVERTISSEMENT** : Les produits destinés à couper doivent être positionnés sur le plateau de nourriture uniquement quand le bouton de réglage est réglé à „0”, il faut faire une particulière attention à la lame et aux arêtes vives.

La procédure:

- Après avoir placé le produit sur le plateau de nourriture et appuyé sur l'appui, bloquez-le en utilisant le bras avec les poignées;
- Tournez le bouton de réglage pour obtenir de l'épaisseur des tranches désiré;
- Pour éviter les accidents, la personne exploitant la trancheuse doit être orientée vers l'appareil dans la position correcte : appuyer la main droite sur l'équerre de maintien de la viande et la main gauche à côté du déflecteur (**ne pas toucher la lame**) ; le corps doit être dans la position perpendiculaire à la surface de travail (voir Fig. 1a). **Avvertissement** :

**Faites attention à ce qu'aucune partie du corps n'ait le contact avec la lame** (voir Fig. 1b);

- Appuyez le bouton de marche „1”;
- 5 Déplacez de façon régulière le chariot (plateau de nourriture + équerre de maintien de viande + support) vers la lame sans appuyer le produit par l'équerre de maintien puisqu'il est appuyé contra le support par son propre poids. La lame coupe le produit facilement et les tranches seront guidées par le déflecteur sur le plateau (voir Fig. 2);
- N'exploitez pas la trancheuse sans nourriture;
- Après avoir coupé le produit, positionnez le bouton de réglage dans la position „0” et éteignez l'appareil en positionnant le bouton dans la position „0”;
- Affûtez la lame quand les tranches coupées seront inégales ou détériorées et le tranchage devient difficile (voir. Affutage de la lame).

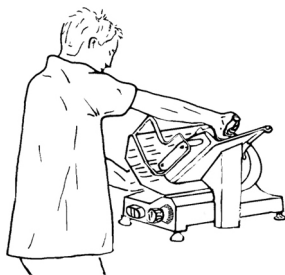


Fig. 1a – Position correcte



Fig. 1b – Mauvaise position

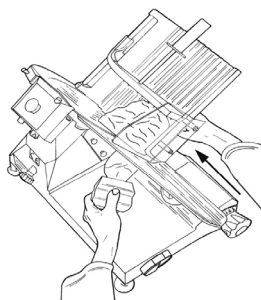


Fig. 2 – Découpe de la viande

## Affûtage de la lame

**AVERTISSEMENT: Avant d'affûter la lame, faites attention au RISQUE RESIDUEL (voir Systeme de securite electronique) qui se réfère aux risques de blessure en cas de ne pas respecter les instructions ci-dessus.**

La lame doit être affûtée de temps en temps quand elle devient terne. Vous devez remplir les instructions détaillées:

- Après avoir débranché la fiche de la prise, nettoyez bien la lame avec de l'alcool et éliminez la graisse;
- Dévissez le bouton de réglage (pos.1, Fig. 3a), soulever l'affûteuse à la position (pos.2, Fig. 3a) dans laquelle elle sera bloquée et tournez de 180°.
- Ensuite déplacez-la jusqu'à la fin de sorte que la lame se trouve entre deux affûteuses. Verrouillez le bouton;
- Mettre la trancheuse en marche, en positionnant le bouton dans la position „I” (ON);
- Appuyez le bouton (pos.3, Fig. 3b), laissez la lame frotter contre l'affûteuse pendant environ 30/40 secondes jusqu'à ce que sur le bord de la lame vous allez créer une bavure ;
- Appuyez simultanément deux boutons (pos. 3 et 4, Fig. 3c) pendant 3-4 secondes , ensuite relâchez-les dans le même temps. Fig. 3b
- Il est recommandé de nettoyer les affûteuses après avoir fini l'affûtage (voir **Lavage de l'affûteuse**);
- Après avoir fini l'affûtage mettre la trancheuse à l'état original, en inversant la procédure.
- Après l'affûtage lavez obligatoirement la lame de la trancheuse (voir **Lavage de la lame et de plaque couvre-lame**).

**ATTENTION: Ne pas prolongez l'élimination des bavures pendant plus de 3-4 secondes, pour éviter toute courbure de l'arête tranchante.**

**Remplacez la lame lorsqu'il n'est pas possible de l'affûter ou lorsque la distance entre le bord de la lame et la protection de la lame est supérieure à 6 mm.**

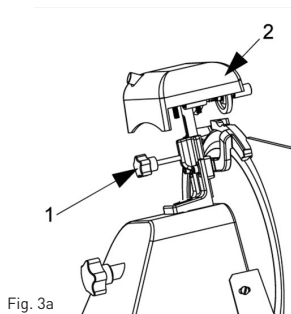


Fig. 3a

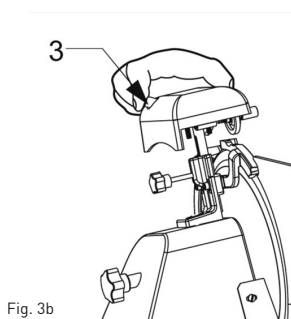


Fig. 3b

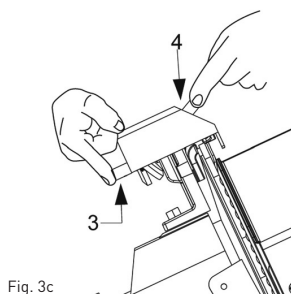


Fig. 3c



## Nettoyage standard

### Caracteristiques generales

- Le lavage de la trancheuse doit être effectué au moins une fois par jour, en fonction des besoins.
- Le lavage doit être particulièrement précis dans le cas de certaines trancheuses qui entrent en contact direct et indirect avec les aliments.
- Ne nettoyez pas la trancheuse en utilisant les dispositifs de lavage ni les jets d'eau à pression, utilisez de l'eau et un détergent neutre. N'utilisez pas les autres détergents. N'utilisez pas les outils, les brosses et d'autres objets qui peuvent détériorer la surface de la trancheuse.

### Procédure de lavage

#### Lavage du plateau de nourriture

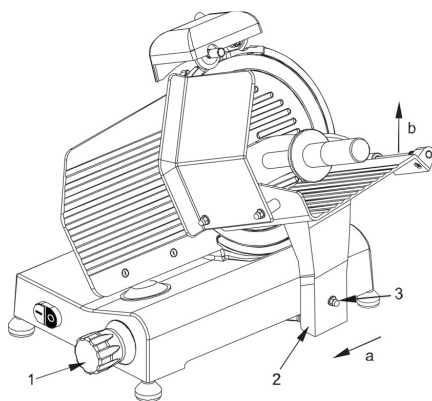
Le chariot (plateau de nourriture + bras + support) peut être facilement démonté:

- Positionner le bouton de réglage sur „0” (1).
- Positionner le chariot (pos. 2) À la fin de la course (pos. A), près des éléments de commande ;
- Dévisser le vis de réglage (pos.3), Et déplacer le chariot vers le haut (pos.B) ;
- Après avoir démonté le chariot, nettoyer précisément le plateau de nourriture avec de l'eau chaude et du détergent naturel (ph 7).

Avant le nettoyage il est nécessaire:

- de débrancher la fiche de la prise murale, pour couper complètement la trancheuse du courant;
- positionner le bouton de réglage sur „0”.

**AVERTISSEMENT: Faites attention au risque résiduel dû aux surfaces aiguës et/ou tranchant. S'il n'est nécessaire, portez des gants de protection (non fournis).**



Démontage du chariot.

### Lavage de la lame et de plaque couvre-lame

- Retirez la protection du lame en dévissant la goupille située à l'arrière de l'appareil (voir Fig. 4).

**Avertissement: la lame doit être nettoyée avec un chiffon mouillé, en gants en métal.**

Pour nettoyer la lame de l'autre côté, il faut la retirer (voir fig. 5).

La lame est enlevée de la manière suivante:

- Retirez la plaque couvre-lame (voir fig. 5);
- Retirez l'affûteuse (a) tournez le bouton de réglage pour que l'outil en plexi pour le démontage de la lame (b) (non fournies) adhère à celui-ci;
- Desserrez 3 ou 4 (en fonction du modèle) vis (f) de fixation de la lame;
- Mettre l'outil en plexi (b) pour le démontage de la lame pour que deux vis (e) entrent dans les trous de la lame, tournez la lame jusqu'à ce qu'elle se trouve dans la position correcte;
- Serrer légèrement la vis (e).

**Attention: la plaque couvre-lame doit être lavée avec de l'eau chaude et du détergent naturel.**

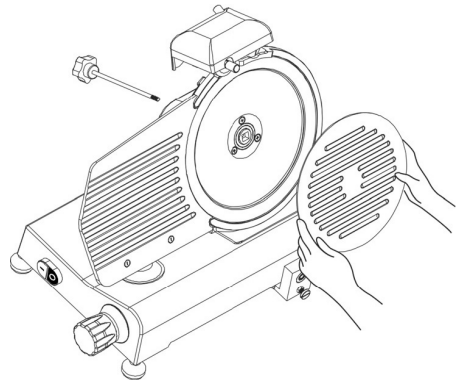


Fig. 4 – Démontage de la plaque couvre-lame

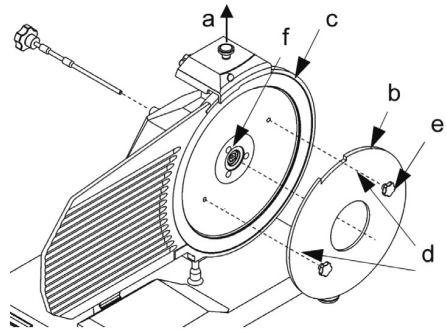


Fig. 5 – Montage de l'outil en plexi (b) pour enlever la lame

### Lavage de l'affûteuse

Le lavage de l'affûteuse consiste à nettoyer les pierres de l'affûteuse avec la brosse. Les pierres de l'affûteuse doivent se trouver dans la position

verrouillée donc elles doivent être tournées dans la direction opposée à la lame.

### Lavage du déflecteur

Desserrez deux vis de fixation (a) pour démonter le déflecteur (voir Fig. 6).

Laver le déflecteur avec de l'eau chaude et du détergent naturel.

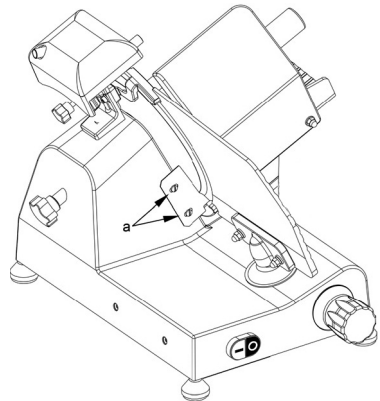


Fig. 6 – Vue du déflecteur



## Stockage

- Avant le stockage, veuillez systématiquement à ce que l'appareil soit déjà débranché d'une prise électrique et complètement refroidi.
- Stockez l'appareil dans un endroit frais, propre et sec.

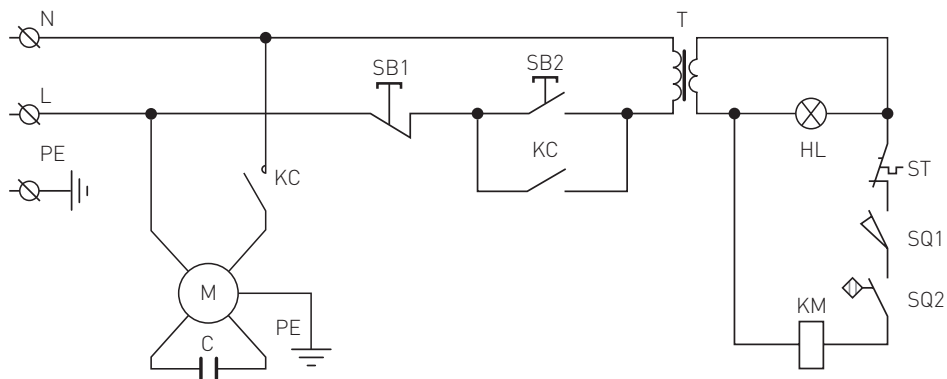
## Résolution des problèmes

Si l'appareil ne fonctionne pas correctement, reportez-vous au tableau ci-dessous pour y trouver une solution. Si vous n'arrivez toujours pas à résoudre le problème, contactez votre distributeur/fournisseur

Problème	Cause possible	Solution
L'appareil ne tranche pas uniformément	Lame émoussée	Affûtez la lame
	Machine encrassée	Nettoyez la machine
La machine interrompt le tranchage	Moteur trop chaud	Laissez la machine refroidir suffisamment. La protection thermique du moteur se réenclenche automatiquement.
Le chariot ne coulisse pas doucement	Barre coulissante encrassée	Nettoyez la barre coulissante et lubrifiez-la avec de la vaseline
	Les aliments n'adhèrent pas à la lame	Éteignez l'appareil & débranchez-le. Attendez l'arrêt complet. Éliminez toute obstruction. Essuyez la lame à l'aide d'un chiffon humide.
Ostrze przestaje się obracać podczas krojenia produktu	Zużyty lub zabrudzony pasek napędowy	Contactez le fournisseur

## Schéma de câblage pour 210000, 210017, 210031, 210048, 210086, 970294

Tension d'entrée alternative: AC220-240V 50Hz



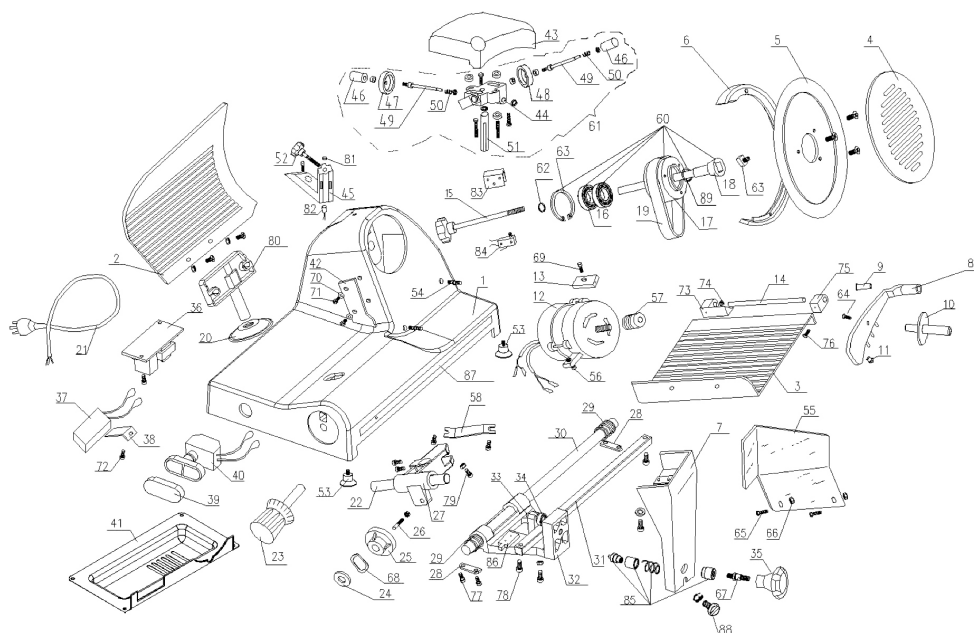
M : Moteur  
 T : Transformateur  
 C : Condensateur  
 PE : Mise à la terre de protection (Mise à la terre)  
 L : Sous tension  
 N : Neutre

SB1, SB2 : Interrupteur  
 KC : Relais  
 HL : Témoin indicateur  
 ST : Découpe thermique  
 SQ1, SQ2 : Micro-interrupteur





## Liste des pièces (Numéro de l'article: 210000, 210031, 210048, 210086, 970294)



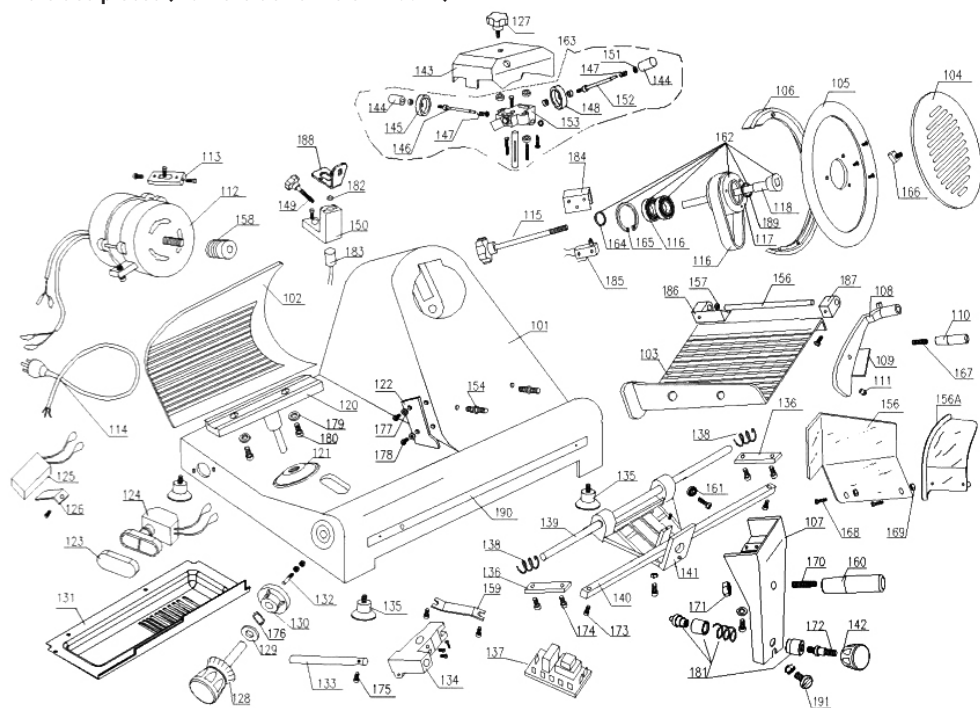
Numéro de la pièce	Nom de la pièce	Quantité	Numéro de la pièce	Nom de la pièce	Quantité
1	Enclos	1	17	Roue de courroie de la lame Ø66	1
2	Bardeau actif	1	18	Tige de la roue de courroie	1
3	Plateau pour aliments	1	19	Courroie SV.330	2
4	Disque de couvre-lame	1	20	Paillassis glissant	1
5	Lame	1	21	Ligne électrique	1
6	Bague du couvre-lame	1	22	Coulissement de l'essieu	1
7	Support du plateau	1	23	Poignée à échelle	1
8	Alimentation et bras fixe	1	24	Joint à ressort	1
9	Bague à bras fixe	1	25	Came	1
10	Poignée à bras fixe	1	26	Bâton de raccord à cames	1
11	Granulé plastique	1	27	Glisseur	1
12	Moteur	1	28	Briquetage pour le coulissement de l'essieu	2
13	Briquetage du moteur	1	29	Ressort de l'essieu coulissant de la barre d'attelage	2
14	Tige à bras fixe Ø12x185	1	30	Essieu de la barre d'attelage	1
15	Boulons du couvre-lame	1	31	Axe quadrangulaire	1
16	Roulement à billes 6202	2	32	Barre d'attelage	1

FR



Numéro de la pièce	Nom de la pièce	Quantité	Numéro de la pièce	Nom de la pièce	Quantité
33	Vis à tête hexagonale M8x35	1	62	Ø15 Joint à ressort pour le roulement	1
34	Roulement à billes 607	1	63	Ø15 Joint à ressort pour le roulement	1
35	Bouton du couvercle de la barre d'attelage	1	64	Écrou à tête carrée du disque du couvre-lame	1
36	Relais	1	65	Boulon de la poignée à bras fixe	1
37	Condensateur	1	66	Boulon de chicane en forme de doigt	2
38	Arrêteur du condensateur	1	67	Écrou de chicane en forme de doigt	2
39	Pailis du bouton	1	68	Boulon du bouton de support	1
40	Interrupteur à bouton	1	69	Sous support de ressort	1
41	Carte mère	1	70	Boulon visé par le moteur	1
42	Racleur de viande	1	71	Cale de raclage de la viande	2
43	Pailis de l'affûteur	1	72	Boulon du racleur de viande	2
44	Base de l'affûteur du sous-ensemble	1	73	Boulon de serrage du condensateur	1
45	Base d'affûtage du montage	1	74	Couvercle du plateau A	1
46	Bouton d'affûtage	2	75	Support de planche pour la viande	1
47	Disque de meulage fin Ø45	1	76	Couvercle du plateau B	1
48	Disque de meulage brut Ø45	1	77	Vis cruciforme à tête fraisée M6x12	2
49	Tige pour le frottement de la pierre	2	78	Boulon de briquetage de l'essieu coulissant	4
50	Ressort	2	79	Vis de serrage de l'axe quadrangulaire	2
51	Tige du support d'affûtage	1	80	Boulon de réglage du glisseur	1
52	Bouton de serrage de l'affûteur	1	81	Aimant	1
53	Mandrin à bardeaux actif	1	82	Interrupteur magnétique	1
54	Pied en caoutchouc	4	83	Bloc en aluminium	1
55	Tige de la bague du couvre-lame	2	84	Micro-interrupteur	1
56	Planche de blocage de la viande	1	85	Verrou en acier inoxydable	1
57	Coulissement du support de l'essieu	2	86	Bloc restreint	1
58	Petite roue de courroie du moteur	1	87	Barre en acier inoxydable	1
59	Commande de glissement	1	88	Vis de réglage du support du plateau	1
60	Réglage de la roue de courroie	1	89	Joint d'huile	1
61	Réglage de l'affûteur	1			

## Liste des pièces (Numéro de l'article: 210017)



FR

Numéro de la pièce	Nom de la pièce	Quantité	Numéro de la pièce	Nom de la pièce	Quantité
101	Enclos	1	117	Roue de courroie	1
102	Bardeau actif	1	118	Tige de la roue de courroie	1
103	Plateau pour aliments	1	119	Courroie SV.400	2
104	Disque de la lame de protection	1	120	Base de support	1
105	lame	1	121	Gaine de câble	1
106	Bague du couvre-lame	1	122	Limite du racleur	1
107	Support du plateau	1	123	Paillis du bouton	1
108	Bras fixe pour aliments	1	124	Interrupteur à bouton	1
109	Bague à bras fixe	1	125	Condensateur	1
110	Poignée	1	126	Arrêteur du condensateur	1
111	Granulé plastique	1	127	Vis du bâton adapté	1
112	Moteur	1	128	Poignée à échelle	1
113	Briquetage du moteur	1	129	Joint à ressort	1
114	Ligne électrique	1	130	Came 300	1
115	Boulons du couvre-lame	1	131	Carte mère	1
116	Essieu coulissant 6204	2	132	Tige de raccord à cames	1



Numéro de la pièce	Nom de la pièce	Quantité	Numéro de la pièce	Nom de la pièce	Quantité
133	Essieu coulissant	1	163	Réglage de l'affûteur	1
134	Glisseur	1	164	Joint à ressort Ø 20 pour le palier	1
135	Pied en caoutchouc	4	165	Ø 47 Joint à ressort du trou	1
136	Briquetage de l'essieu coulissant	2	166	Écrou à tête carrée du disque du couvre-lame	1
137	Relais	1	167	Boulon de la poignée à bras fixe	1
138	Ressort de l'essieu coulissant	2	168	Boulon de chicane en forme de doigt	2
139	Essieu coulissant de la barre d'attelage	1	169	Écrou de chicane en forme de doigt	2
140	Axe quadrangulaire	1	170	Boulon du bouton de support	1
141	Barre d'attelage	1	171	Écrou du bouton de support	1
142	Bouton de la barre d'attelage	1	172	Boulon de support inférieur	1
143	Pailis de l'affûteur	1	173	Vis de serrage de l'axe quadrangulaire	2
144	Bouton	2	174	Boulon de briquetage de l'essieu coulissant	4
145	Disque de meulage fin Ø45	1	175	Boulon de l'essieu coulissant	1
146	Tige de la roue de nettoyage de la bavure	2	176	Ø 12 Sous le joint à ressort	1
147	Ressort de la route de nettoyage de la bavure	2	177	Cale de raclage de la viande	2
148	Disque de meulage brut Ø45	2	178	Boulon du racleur de viande	1
149	Bouton de serrage de l'affûteur	1	179	Cale du palier du point d'appui	2
150	Base de support de la bague extérieure	1	180	Boulon de palier	2
151	Ø 4.751 Roue	1	181	Verrou en acier inoxydable	1
152	Tige pour le frottement de la pierre	1	182	Aimant	1
153	Base de l'affûteur du sous-ensemble	1	183	Interrupteur magnétique	1
154	tige de la bague du couvre-lame	2	184	Bloc restreint	1
155	Tige du plateau des aliments	1	185	Micro-interrupteur	1
156/156A	Planche de blocage de la viande	1	186	Couvercle du plateau A	1
157	Support de l'essieu coulissant	1	187	Couvercle du plateau B	1
158	Petite roue de courroie du moteur	1	188	Cale du palier du point d'appui	1
159	Roue de transmission coulissante	1	189	Joint d'huile	1
160	Poignée de la barre d'attelage	1	190	Barre en acier inoxydable	1
161	Essieu coulissant 608	1	191	Vis de réglage du support du plateau	1
162	Réglage de la roue de courroie	1			

## Caractéristiques techniques

Produit n°	210031	210048	210000	210017	210086	970294
Tension et fréquence	220-240V~ / 50 Hz					
Consommation d'énergie	200W	280W	320W	420W	320W	280W
Diamètre	195 mm	220 mm	250 mm	300 mm	250 mm	220 mm
Résistance à l'eau	IP33					
Niveau de protection	Classe I					
Niveau sonore	< 70 dB (A)					
Dimensions extérieures	400x400x (H)330 mm	440x420x (H)350 mm	485x420x (H)395 mm	600x480x (H)450 mm	485x420x (H)395 mm	440x420x (H)350 mm
Poids net (env.)	13,5 kg	14 kg	16 kg	26 kg	16 kg	14 kg

**Remarque : Les caractéristiques peuvent être modifiées sans préavis.**

## Garantie

Tout vice ou toute défaillance entraînant un dysfonctionnement de l'appareil qui se déclare dans les 12 mois suivant la date de l'achat sera éliminé à titre gratuit ou l'appareil sera remplacé par un appareil nouveau si le premier a été dûment exploité et entretenu conformément aux termes de la notice d'exploitation et s'il n'a pas été indûment exploité ou de manière non conforme à sa destination. La présente stipulation ne porte pas de préjudice aux autres droits de l'utilisateur prévus par les dispositions légales. Dans le cas où l'appareil est donné à la réparation ou doit être remplacé

dans le cadre de la garantie, il y a lieu de spécifier le lieu et la date de l'achat de l'appareil et produire un justificatif nécessaire (par ex. facture ou ticket de caisse).

Conformément à notre politique d'amélioration permanente de nos produits, nous nous réservons le droit d'introduire sans avertissement préalable des modifications à l'appareil, à l'emballage et aux caractéristiques techniques précisées dans la documentation.

FR

## Élimination et protection de l'environnement

En cas de retrait du produit de l'exploitation l'appareil ne peut pas être jeté avec d'autres déchets ménagers. L'utilisateur est responsable de la remise de l'équipement au point de collecte approprié pour l'équipement usagé. Le non-respect des dispositions ci-dessus peut entraîner les pénalités conformément à la réglementation applicable en matière d'élimination des déchets. La collecte sélective et le recyclage des équipements usagés contribuent à la conservation des ressources natu-


relles et assurent un recyclage sans danger pour la santé et l'environnement.

Pour plus d'informations sur les endroits de collecte des équipements usagés pour le recyclage, contactez la société de collecte des déchets locale. Le producteur et l'importateur ne sont pas responsables du recyclage et du traitement des déchets d'une manière respectueuse de l'environnement directement et dans le système public.






Grazie per aver acquistato questo apparecchio HENDI. Leggere attentamente questo manuale, prestando particolare attenzione alle norme di sicurezza descritte di seguito, prima di installare e utilizzare questo apparecchio per la prima volta.

## Norme di sicurezza

- Questo apparecchio è destinato esclusivamente all'uso commerciale.
- Utilizzare l'apparecchio solo per lo scopo previsto per il quale è stato progettato come descritto nel presente manuale.
- Il produttore non è responsabile per eventuali danni causati da un funzionamento scorretto e da un uso improprio.
- Tenere l'apparecchio e la spina elettrica lontano da acqua e altri liquidi. Nel caso in cui l'apparecchio cada in acqua, rimuovere immediatamente la spina di alimentazione dalla presa. Non utilizzare l'apparecchio fino a quando non è stato controllato da un tecnico certificato. Il mancato rispetto di queste istruzioni causerà rischi pericolosi per la vita.
- Non tentare mai di aprire l'alloggiamento dell'apparecchio da soli.
- Non inserire oggetti nell'alloggiamento dell'apparecchio.
- Non toccare la spina con le mani bagnate o umide.
-  **Pericolo di scosse elettriche!** Non tentare di riparare l'apparecchio da solo, le riparazioni devono essere eseguite solo da personale qualificato.
- **Non utilizzare mai un apparecchio danneggiato!** Quando è danneggiato, scollegare l'apparecchio dalla presa e contattare il rivenditore.
- **Avvertimento!** Non immergere le parti elettriche dell'apparecchio in acqua o altri liquidi.
- Non tenere mai l'apparecchio sotto l'acqua corrente.
- Controllare regolarmente la spina e il cavo di alimentazione per eventuali danni. Se danneggiato, deve essere sostituito da un agente di servizio o da una persona altrettanto qualificata al fine di evitare pericoli o lesioni.
- Assicurarsi che il cavo non entri in contatto con oggetti appuntiti o caldi e tenerlo lontano dal fuoco aperto. Non tirare mai il cavo di alimentazione per scollegarlo dalla presa, staccare sempre la spina.
- Assicurarsi che il cavo di alimentazione e/o la prolunga non causino rischi di inciampare.
- Non lasciare mai l'apparecchio incustodito durante l'uso.
- **Avvertimento!** Finché la spina si trova nella presa, l'apparecchio è collegato alla fonte di alimentazione.
- Spegnerne l'apparecchio prima di scollegarlo dalla presa.
- Collegare la spina di alimentazione a una presa elettrica facilmente accessibile in modo che in caso di emergenza l'apparecchio possa essere scollegato immediatamente.
- Non portare mai l'apparecchio con il cavo.
- Non utilizzare dispositivi aggiuntivi non forniti insieme all'apparecchio.
- Collegare l'apparecchio a una presa elettrica solo con la tensione e la frequenza indicati sull'etichetta dell'apparecchio.

- Non utilizzare mai accessori diversi da quelli consigliati dal produttore. In caso contrario, potrebbe comportare un rischio per la sicurezza dell'utente e danneggiare l'apparecchio. Utilizzare solo parti e accessori originali.
- Questo apparecchio non deve essere utilizzato da persone con capacità fisiche, sensoriali o mentali ridotte o da persone che hanno una mancanza di esperienza e conoscenze.
- Questo apparecchio non deve, in nessun caso, essere utilizzato dai bambini.
- Tenere l'apparecchio e il suo cavo di alimentazione fuori dalla portata dei bambini.
- **ATTENZIONE:** spegnere SEMPRE l'apparecchio e scollegarlo dalla presa di corrente prima della pulizia, della manutenzione o della conservazione.

## Norme speciali di sicurezza

-  **ATTENZIONE!** Scollegare prima di pulire, di effettuare manutenzione o riparazione!
-  **ATTENZIONE!** Necessaria la movimentazione con due persone!
-  **ATTENZIONE!** Leggere il manuale di istruzioni prima di mettere in funzionamento, della pulizia o della manutenzione!
- I prodotti da tagliare devono essere scongelati, senza ossi o imballaggio. L'apparecchio non è destinato per il taglio dei prodotti surgelati, di verdura o per un altro scopo.
- Utilizzare l'apparecchio unicamente in modo descritto nelle istruzioni per l'uso.
- Ogni altro uso può causare danni all'apparecchio o lesioni.
- Questo apparecchio può essere azionato solo da personale qualificato.
- Non posizionare l'apparecchio su oggetti che generano calore (cucina a gas, cucina elettrica ecc.). Tenere l'apparecchio lontano da superfici calde o fiamme libere. Utilizzare l'apparecchio unicamente su una superficie piana, stabile, orizzontale, pulita ed asciutta resistente alle alte temperature.
- Attenzione, pericolo di lesioni! Durante la manipolazione della lama mantenere una particolare attenzione, in particolare durante lo smontaggio della lama. Se necessario, indossare i guanti di protezione (non forniti).
- Attenzione! Proteggere il cavo di alimentazione per impedire di inciampare o cadere.
- Non utilizzare l'apparecchio prima di installare correttamente la lama, la protezione della lama o il vassoio per il cibo.
- Non utilizzare l'apparecchio vicino a materiali esplosivi o infiammabili, carte di credito, dischi magnetici o radio.
- Non modificare mai serrature di sicurezza.
- **AVVERTIMENTO:** Non coprire le aperture di ventilazione.
- **AVVERTIMENTO:** Prima della pulizia o prima di mettere l'apparecchio in deposito di sostituire le parti, scollegare SEMPRE l'apparecchio dalla presa di corrente e lasciare raffreddare.
- **AVVERTIMENTO!** Ricordare SEMPRE di non indossare abiti larghi e non toccare le parti in movimento con le mani e legare i capelli.



- Fornire almeno 20 cm di distanza attorno all'apparecchio per assicurare un'adeguata ventilazione.
- **AVVERTIMENTO!** Prestare particolare attenzione toccando i dischi da taglio. Se necessario, indossare i guanti protettivi (non inclusi).

---

### Destinazione del dispositivo

- Il dispositivo è destinato all'uso professionale.
- Questa apparecchiatura è ideata solo per affettare alimenti, ad esempio carni, formaggio, pane, ecc. L'uso del dispositivo per qualsiasi altro scopo può causare danni o lesioni.
- L'uso del dispositivo per qualsiasi altro scopo sarà considerato un uso improprio. L'utente sarà l'unico responsabile per l'uso scorretto del dispositivo.

---

### Installazione di messa a terra

Questo apparecchio è classificato come **classe di protezione I** e deve essere collegato a un terreno di protezione. La messa a terra riduce il rischio di scosse elettriche fornendo un filo di fuga per la corrente elettrica. Questo apparecchio è dotato di

un cavo di alimentazione che ha un cavo di messa a terra e una spina messa a terra. La spina deve essere collegata a una presa correttamente installata e messa a terra.

---

### Informazioni sull'affettatrice

#### Precauzioni generali

- L'affettatrice può essere utilizzata solo dal personale adeguatamente qualificato che ha letto le informazioni sulle misure di sicurezza descritte nelle istruzioni d'uso.
- In caso di cambiamenti del personale, organizzare una formazione. Benché l'affettatrice disponga di elementi di sicurezza integrati di luoghi pericolosi, si raccomanda di non toccare la lama e le parti in movimento.
- Prima di pulire e mantenere l'apparecchio, estrarre la spina dalla presa.
- Considerare il rischio residuo quando gli elementi di sicurezza sono rimossi per fare la pulizia e la manutenzione.
- La pulizia e la manutenzione richiedono concentrazione.
- I controlli regolari del cavo di alimentazione sono assolutamente necessari. Il cavo usurato o danneggiato può rappresentare un alto rischio di scossa elettrica.
- Se l'affettatrice non funziona correttamente, si raccomanda di interrompere il suo utilizzo e di astenersi dalla riparazione. Si prega di prendere contatto con un centro di assistenza autorizzato.
- **Non utilizzare l'affettatrice per tagliare il prodotto congelato, la carne o i pesci con le ossa o altri prodotti diversi da alimenti.**
- **Non avviare l'affettatrice senza la morsa quando è rimasto un piccolo pezzo di carne da tagliare.**
- **Non prendere una posizione pericolosa, la lama può causare danni..**

Il produttore e/o il rivenditore non saranno possibili nei seguenti casi:

- se il personale non autorizzato ha effettuato gli interventi sull'affettatrice
- se alcune parti sono state sostituite con i pezzi di ricambio non originali
- se le istruzioni contenute nel presente documento non sono strettamente osservate
- se l'affettatrice non è pulita e lubrificata con i prodotti adeguati.



## Sistemi di sicurezza integrati nell'affettatrice

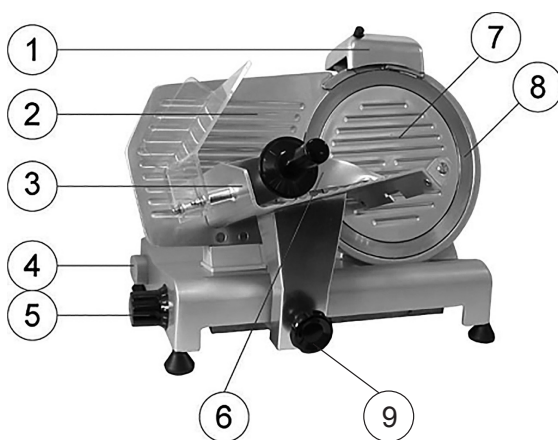
L'affettatrice è dotata di:

- microinterruttore che spegne l'affettatrice se la barra di fissaggio della protezione di lama è stata rimossa; il microinterruttore non permette di riavviare l'affettatrice se la protezione non è messa nella posizione disattivata.
- microinterruttore nell'armadio di controllo che impone un riavvio dell'affettatrice in caso di interruzioni di corrente.

Benché le affettatrici siano conformi e dotate di protezioni di sicurezza elettroniche e meccaniche (quando l'affettatrice funziona e durante la pulizia e la manutenzione) vi è ancora un **RISCHIO RESIDUO** che non può essere completamente eliminato. Tali rischi sono specificati nelle istruzioni d'uso sotto il segnale di **AVVERTIMENTO**. La lama e altre parti dell'apparecchio possono causare lesioni e danni.

## Parti principali del dispositivo

- 1 Affilatrice per lama
- 2 Piastra di arresto
- 3 Carrello
- 4 Interruttore di accensione/ spegnimento on/off  
[Bianco (I): ON; Nero (O): OFF]
- 5 Quadrante spessore
- 6 Morsa prodotto
- 7 Protezione lama
- 8 Lama
- 9 Blocco del carrello
- 10 Bullone protezione lama  
(non visualizzato)



IT

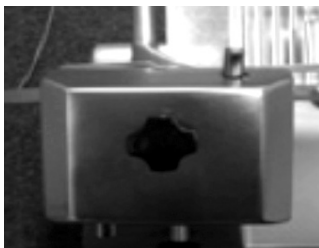


## Preparazione prima del primo utilizzo

- Verificare che non manchi alcuna parte. In caso qualche parte sia mancante, contattare il proprio fornitore.
- Rimuovere tutto il materiale d'imballaggio.
- Conservare la confezione se si intende riporre l'elettrodomestico in futuro.
- Controllare che il dispositivo sia completo e non abbia subito danni durante il trasporto. In caso di consegna incompleta o danni, contattare immediatamente il fornitore e NON utilizzare il dispositivo. (Vedi ==> Garanzia).
- Pulire la lama. Prestare attenzione dato che la lama è molto affilata. (Se necessario, utilizzare guanti, non in dotazione).
- Mantenere uno spazio libero di almeno 10 cm intorno all'apparecchio per consentire una ventilazione adeguata.
- Collocare l'apparecchio in modo tale che la spina sia sempre accessibile.
- Se il dispositivo di affilatura non è collegato, procedere nel modo seguente:



1. Vista dall'alto dell'apparecchio



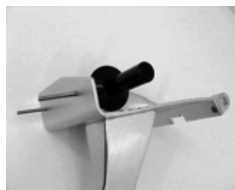
2. Collegare il modulo di affilatura in modo tale che la lama non si muova tra i dischi



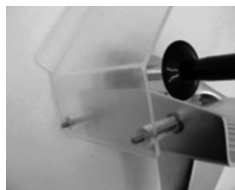
3. Fissare il dispositivo di affilatura alla macchina serrando il supporto. Accertarsi che il dispositivo di affilatura sia saldamente fissato prima di utilizzare la macchina.

**NOTA! Il dispositivo di affilatura è dotato d'interruttore di sicurezza. Se il dispositivo di affilatura non è collegato correttamente, non sarà possibile utilizzare l'apparecchio.**

- Collegare la protezione per le mani.



1. Inserire entrambe le viti nel carrello.



2. Collegare la protezione per le mani.



3. Inserire le due rondelle sui bulloni.



4. Avvitare in sede i due dadi della cupola.

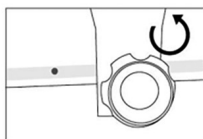
**NOTA! Si raccomanda di non utilizzare l'apparecchio se la protezione per le mani non è collegata secondo le istruzioni! Le presenti istruzioni di sicurezza servono a prevenire eventuali lesioni. Se non si collegano i suddetti elementi funzionali, esiste il pericolo di lesioni.**

## Istruzioni d'uso

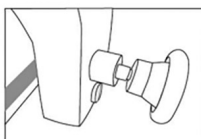
- Collocare l'apparecchio in modo che l'interruttore di accensione/spengimento (on/off) sia rivolto verso l'utente.
- Se l'affilatrice della lama non è stato installato, procedere nel modo seguente:
  - Collocare l'affilatrice per lama nel proprio supporto in modo che la lama non si estenda tra gli ingranaggi.
  - Serrare la vite di sicurezza sull'affilatrice per lama.
  - Nota! L'apparecchio è dotato di interruttore di sicurezza e si spegnerà automaticamente se il dispositivo di affilatura viene rimosso.
- Inserire la spina nella presa a muro.
- Portare il quadrante con la scala graduata sullo spessore desiderato.
- Accendete il dispositivo premendo il tasto "BIANCO (I)" dell'interruttore ON/OFF.
- Collocare il prodotto alimentare sul carrello e regolare la morsa per tenere il prodotto saldamente in posizione. Accertarsi che il prodotto sia collocato contro la piastra di arresto.
- Una volta che il prodotto è stato affettato, spegnere premendo il tasto "NERO (O)" dell'interruttore ON/OFF.
- Riportare a "0" il quadrante dello spessore.

## Come bloccare l'affettatrice:

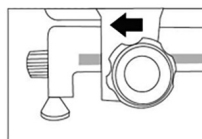
- ① Ruotare la manopola in direzione antioraria



- ② Continuare a ruotare la manopola finché si allenti **COMPLETAMENTE**

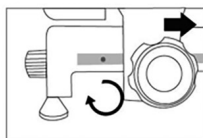


- ③ Spostare il carrello nella posizione corretta, l'affettatrice si bloccherà automaticamente



## Come sbloccare l'affettatrice

- ① Ruotare la manopola in direzione oraria per sbloccare l'affettatrice. La manopola deve ruotare **COMPLETAMENTE** per serrare il carrello



## Posa e taglio del cibo

**AVVERTIMENTO: I prodotti per il taglio possono essere messi su un vassoio di cibo solo se la manopola dello spessore è impostata su „0”, si dovrebbe anche prestare molta attenzione alla lama e i bordi taglienti.**

Procedura:

- Dopo aver posto il prodotto su un vassoio di cibo e apporre sul basamento, bloccarlo con un braccio con le maniglie;
- Ruotare la manopola per ottenere lo spessore desiderato della fetta;
- Per evitare incidenti, la persona che usa l'affettatrice deve essere rivolta verso l'apparecchio nella posizione corretta: apporre la mano destra sulla morsa di carne, la mano sinistra accanto al deflettore (**non toccare il coltello**); il corpo deve essere nella posizione perpendicolare al piano di lavoro (vedere Fig. 1a). **AVVERTIMENTO: Prestare attenzione particolare: nessuna parte del corpo non può avere contatti con la lama** (vedere Fig.1b);

- Premere l'interruttore di accensione „I”;
- Spostare uniformemente il carrello (vassoio di cibo + morsa di carne + supporto) verso la lama, senza spingere il cibo con la morsa perché il cibo è spinto sul basamento sotto il proprio peso. La lama taglia facilmente il cibo e le fette saranno guidate dal deflettore sul vassoio (vedere Fig.2);
- Non usare dell'affettatrice senza il cibo;
- Dopo aver tagliato il cibo, mettere la manopola di spessore nella posizione „0” e spegnere l'apparecchio mettendo l'interruttore nella posizione „0”;
- Affilare la lama quando i pezzi tagliati sono irregolari o cenciosi, e il taglio diventa difficile (vedere Affilatura della lama).

IT

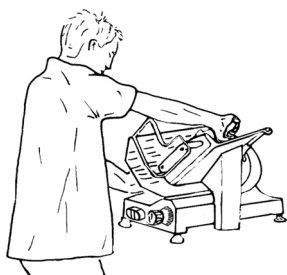


Fig. 1a - Posizione corretta



Fig. 1b - Posizione incorretta

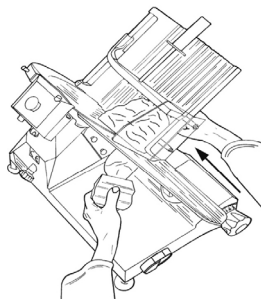


Fig. 2 - Taglio della carne

## Affilatura della lama

**AVVERTIMENTO:** Prima di affilare la lama, prestare attenzione al **RISCHIO RESIDUO** (vedere sistema di sicurezza elettronico), che si riferisce al rischio di lesioni in caso di non osservare le istruzioni sottoidicate.

La lama deve essere affilata di volta in volta, quando diventa opaca. È necessario rispettare le istruzioni dettagliate:

- Dopo aver estratto la spina dalla presa pulire bene la lama con alcol per eliminare i grassi;
- Svitare la manopola (pos.1, Fig. 3a), sollevare l'affilatrice (pos.2, Fig. 3a) nella posizione in cui si bloccherà, poi ruotare di 180°.

Poi spostarla fino alla fine perché la lama si trovi tra due affilatrici. Bloccare la manopola.

- Accendere l'affettatrice commutando l'interruttore nella posizione „I” (ON);
- Premere il pulsante (pos.3, Fig. 3b), permettere che la lama si strofina contro l'affilatrice per circa 30/40 secondi fino a quando sul bordo della lama viene creato un ricciolo;
- Premere contemporaneamente due pulsanti (pos. 3 e 4, Fig. 3c) per 3-4 secondi, poi rilasciare contemporaneamente.
- Si consiglia di pulire l'affilatrice dopo l'affilatura (vedere **Lavaggio dell'affilatrice**); Fig. 3b
- Dopo l'affilatura ripristinare l'affettatrice al suo stato originale invertendo la procedura.
- Dopo l'affilatura lavare assolutamente la lama (vedere **Lavaggio della lama e della protezione della lama**).

**NOTA:** Non prolungare l'eliminazione dei riccioli più di 3-4 secondi per evitare una distorsione del tagliente.

Sostituire la lama quando non è possibile affilarla o quando la distanza tra il bordo e la protezione è superiore a 6 mm.

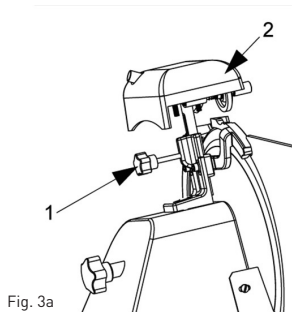


Fig. 3a

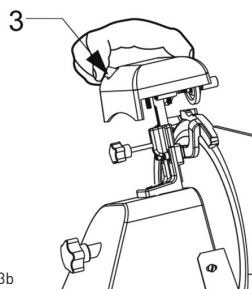


Fig. 3b

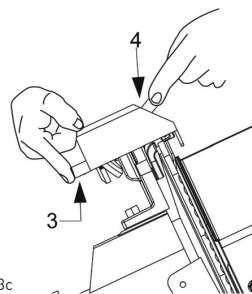


Fig. 3c



## Pulizia standard

### Caratteristiche generali

- La pulizia dell'affettatrice deve essere eseguita almeno una volta al giorno o più spesso, a seconda della necessità.
- La pulizia deve essere particolarmente precisa nel caso di alcune affettatrici che hanno contatto diretto e indiretto con il cibo.
- L'affettatrice non deve essere pulita a getto d'acqua o ad alta pressione, utilizzare acqua e detergente neutro. Non utilizzare altri detersivi. Non utilizzare strumenti, pennelli e altri oggetti che possono danneggiare la superficie dell'affettatrice.

### Procedura di lavaggio dell'affettatrice

#### Lavaggio del vassoio di cibo

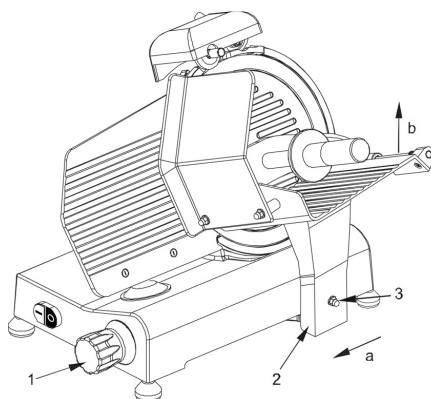
Il carrello (vassoio di cibo + braccio + supporto) si possono facilmente rimuovere:

- posizionare la manopola nella posizione „0” (1).
- posizionare il carrello (pos. 2) alla fine dello scorrimento (pos. a) presso gli organi di controllo;
- pulsante di rilascio del carrello (pos. 3) premere il pulsante di rilascio del carrello, spostare il carrello verso l'alto (pos. b)
- dopo aver rimosso il carrello si può lavare il vassoio di cibo con acqua calda e detergente neutro (pH 7).

Prima della pulizia è necessario:

- Estrarre la spina dalla presa a muro per tagliare completamente l'affettatrice dall'alimentazione;
- Mettere la manopola nella posizione „0”.

**AVVERTIMENTO: Prestare attenzione al rischio residuo derivante dalle parti taglienti e/o le superfici taglienti. Se necessario, indossare i guanti di protezione (non forniti).**



Rimozione del carrello.

### Lavaggio della lama e della protezione della lama

- Rimuovere il coprilama svitando il perno sul retro dell'apparecchio (vedere Fig. 4).

**AVVERTIMENTO: lavare la lama con un panno umido, usando i guanti in metallo.**

Per lavare la lama dall'altra parte si deve rimuoverla (vedere Fig. 5).

La lama è rimossa come segue:

- rimuovere la protezione della lama (vedere Fig. 5);
- rimuovere l'affilatrice (a) e ruotare la manopola perché lo strumento di plexi per la rimozione della lama (b) (non in dotazione) aderisca ad esso;
- allentare 3 o 4 (a seconda del modello) viti (f) di fissaggio della lama;
- mettere lo strumento di plexi (b) per rimuovere la lama in modo che due viti (e) entrano nei fori della lama, ruotare la lama finché sia in posizione corretta;
- avvitare leggermente la vite (e).

**NOTA: la protezione della lama deve essere lavata con acqua calda con un detergente neutro.**

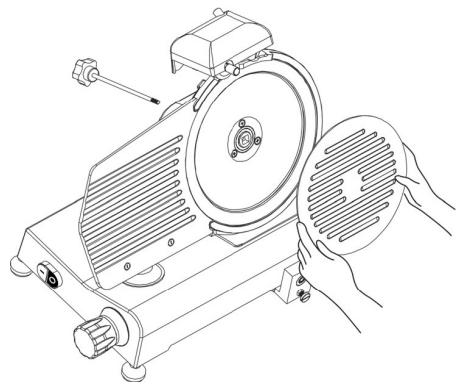


Fig. 4 - Rimozione della protezione della lama

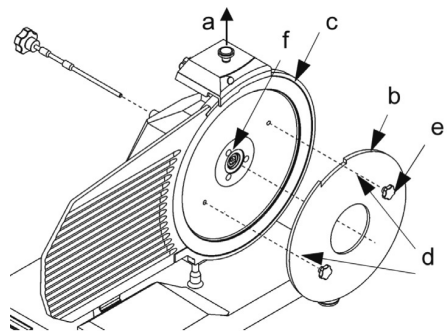


Fig. 5 - Installazione dello strumento di plexi (b) per rimuovere la lama

### Lavaggio dell'affilatrice

Il lavaggio dell'affilatrice consiste nella pulizia delle pietre dell'affilatrice con un pennello. Le pietre dell'affilatrice devono essere in posizione di blocco,

cioè devono essere rivolte in direzione opposta alla lama.

### Lavaggio del deflettore

Per rimuovere il deflettore si deve svitare due viti (a) di fissaggio (vedere Fig. 6).

Lavare il deflettore con acqua calda e detergente neutro.

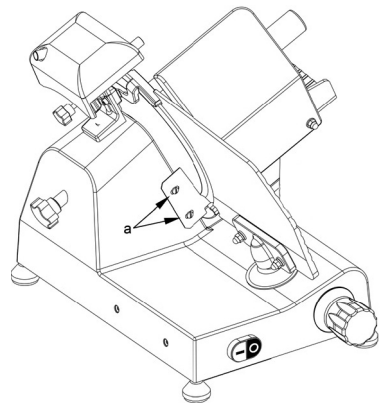


Fig. 6 - Vista del deflettore



---

## Manutenzione

### Caratteristiche generali

Prima della manutenzione si deve:

- estrarre la spina di alimentazione dalla presa per tagliare completamente l'alimentazione.
- Mettere la manopola dello spessore nella posizione „0”.

### Cinghia

Non regolare la cinghia. Di solito, la cinghia è sostituita dopo 3-4 anni. Prendere contatto con un centro di assistenza autorizzato.

### Piedi

I piedi possono danneggiarsi e perdere la loro elasticità che ha un impatto negativo alla stabilità dell'affettatrice. In questo caso si deve sostituirle. Prendere contatto con un centro di assistenza autorizzato.

### Cavo di alimentazione

Controllare periodicamente il cavo di alimentazione e se necessario prendere contatto con un centro di assistenza autorizzato.

### Lama

Controllare se la lama non viene ridotta di oltre 10 mm dal diametro originale. Per sostituire la lama prendere contatto con un centro di assistenza autorizzato.

### Affilatrici

Controllare se le affilatrici hanno mantenuto le sue proprietà abrasive durante l'affilatura. Per evitare danni alla lama, le affilatrici devono essere sostituiti periodicamente. Prendere contatto con un centro di assistenza autorizzato.

### Lubrificazione delle guide

Di volta in volta versare alcune gocce di olio su una guida rotonda sulla quale si muove il carrello. Questo intervento può essere fatto attraverso il foro (OIL) accanto alla manopola di regolazione. Prendere contatto con un centro di assistenza autorizzato.

### Marcatura del pannello di pulsanti

Se la marcatura del pannello di pulsanti è danneggiata, prendere contatto con un centro di assistenza autorizzato.

---

## Smaltimento dell'apparecchi

### Apparecchio fuori servizio

Se per qualche motivo è necessario mettere apparecchio fuori servizio, assicurarsi che nessuno sarà

in grado di usarlo: scollegare dalla rete elettrica ed eliminare i collegamenti elettrici.

---

## Conservazione

- Prima di riporre il dispositivo, accertarsi sempre che sia stato scollegato dalla presa elettrica e si sia raffreddato completamente.
- Conservare il dispositivo in un luogo fresco, pulito e asciutto.



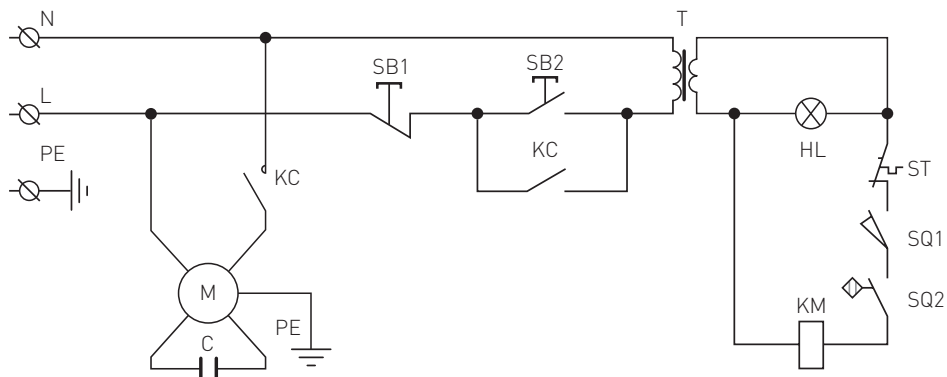
## Risoluzione dei problemi

Se l'apparecchio non funziona correttamente, si prega di controllare la tabella seguente per la soluzione. Se non si è ancora in grado di risolvere il problema, contattare il fornitore/centro assistenza.

Problema	Causa possibile	Soluzione
Il dispositivo non affetta in modo uniforme	Lama non affilata	Affilare la lama
	Apparecchio sporco	Pulire l'apparecchio
L'apparecchio cessa di affettare	Motore surriscaldato	Lasciar raffreddare la macchina per un periodo prolungato. Il termostato di sicurezza del motore si ripristinerà automaticamente.
Il carrello non scorre	Barra di scorrimento sporca	Pulire la barra di scorrimento e lubrificare con vaselina
	Alcuni alimenti si attaccano alla lama	Spegnere il dispositivo e scolgarlo dalla presa di corrente. Aspettare che sia completamente fermo. Rimuovere eventuali ostruzioni. Pulire la lama con un panno umido.
La lama si arresta quando si taglia il prodotto	Cinghia a v usurata o sporca	Contattare il fornitore

## Schema elettrico per 210000, 210017, 210031, 210048, 210086, 970294

Tensione AC in ingresso: AC220-240V 50Hz



M : Motore

T : Trasformatore

C : Condensatore

PE : Messa a terra (massa)

L : Fase

N : Neutro

SB1, SB2 : Interruttore

KC : Relè

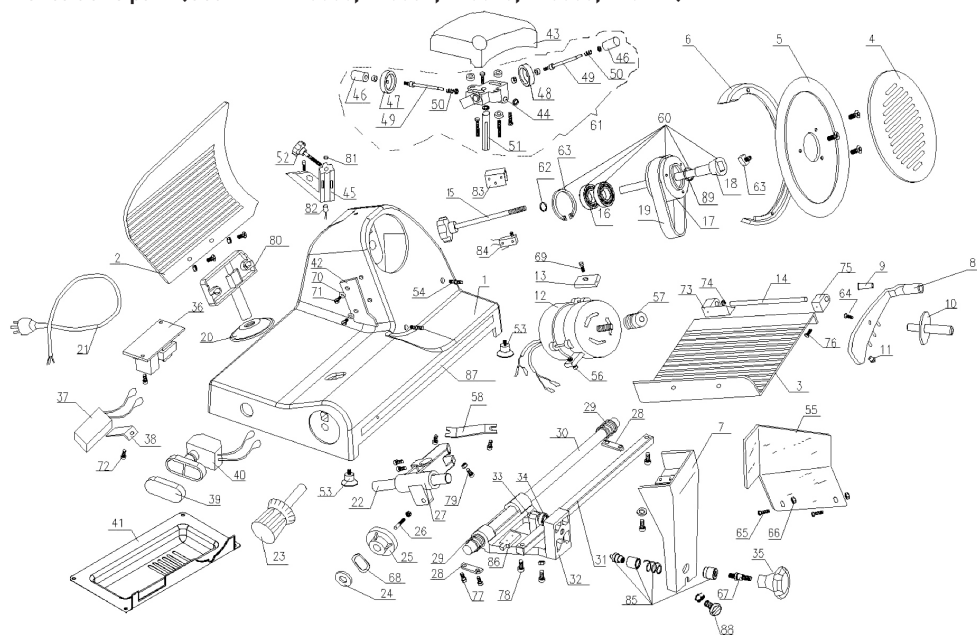
HL : Spia

ST : Interruttore magneto-termico

SQ1, SQ2 : Microinterruttore



## Elenco delle parti (Cod. Art.: 210000, 210031, 210048, 210086, 970294)

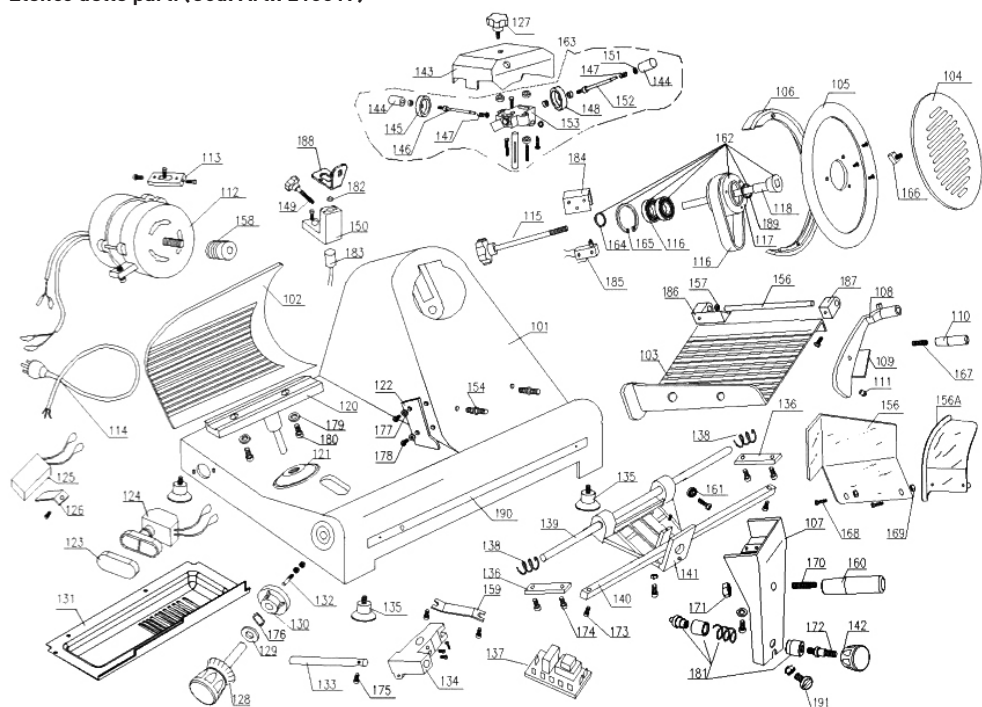


N. parte	Nome della parte	Quantità	Cod. Art.	Nome della parte	Quantità
1	Involucro	1	20	Sede supporto vela	1
2	Vela	1	21	Cavo di alimentazione	1
3	Vassoio per il cibo	1	22	Asse scorrevole	1
4	Disco di protezione della lama	1	23	Manopola zigrinata	1
5	Lama	1	24	Guarnizione a molla	1
6	Anello di protezione della lama	1	25	Camma	1
7	Staffa del vassoio	1	26	Corpo osculatore camma	1
8	Braccio blocca cibo	1	27	Scivolo	1
9	Boccola fissa braccio	1	28	Bricchetta asse scorrevole	2
10	Maniglia fissa braccio	1	29	Molla della staffa scorrevole di traino	2
11	Granulo plastico	1	30	Asse staffa traino	1
12	Motore	1	31	Asse perpendicolare	1
13	Bricchetta del motore	1	32	Staffa traino	1
14	Perno braccio fisso Ø12x185	1	33	Vite esagonale M8x35	1
15	Bulloni protezione lama	1	34	Cuscinetto a sfere 607	1
16	Cuscinetto a sfere 6202	2	35	Manopola copertura staffa traino	1
17	Ruota della cinghia della lama Ø66	1	36	Relè	1
18	Perno della ruota della cinghia	1	37	Condensatore	1
19	Cinghia SV.330	2	38	Fermo del condensatore	1

N. parte	Nome della parte	Quantità	N. parte	Nome della parte	Quantità
39	Chiusura pulsante	1	65	Bullone maniglia fissa braccio	1
40	Interruttore a pulsante	1	66	Bullone deflettore dito	2
41	Scheda madre	1	67	Dado deflettore dito	2
42	Raschia carne	1	68	Bullone manopola staffa	1
43	Sede affilalama	1	69	Guarnizione molla sottostante	1
44	Base del sottogruppo affilatore	1	70	Bullone inciso motore	1
45	Base dell'affilatore montato	1	71	Spessore raschia carne	2
46	Pulsante dell'affilatore	2	72	Bullone raschia carne	2
47	Ruota di affilatura fine Ø45	1	73	Bullone morsetto del condensatore	1
48	Ruota di affilatura grossolana Ø45	1	74	Copertura cuscinetto vassoio A	1
49	Perno della pietra di sfregamento	2	75	Cestino tavola per la carne	1
50	Molla	2	76	Copertura cuscinetto vassoio B	1
51	Perno della staffa affilatrice	1	77	Vite a testa incassata con intaglio a croce M6x12	2
52	Manopola serraggio affilatrice	1	78	Bullone bricchetta asse scorrevole	4
53	Piedino	1	79	Vite di fissaggio asse perpendicolare	2
54	Piedino in gomma	4	80	Bullone di regolazione scivolo	1
55	Perno dell'anello di protezione della lama	2	81	Magnete	1
56	Pannello di bloccaggio carne	1	82	Interruttore magnetico	1
57	Staffa asse scorrevole	2	83	Blocco di alluminio	1
58	Ruota piccola della cinghia del motore	1	84	Microinterruttore	1
59	Guida di scorrimento	1	85	Blocco di acciaio inossidabile	1
60	Impostazione ruota della cinghia	1	86	Blocco parziale	1
61	Impostazione affilatrice	1	87	Barra in acciaio inossidabile	1
62	Guarnizione a molla Ø15 per cuscinetto	1	88	Vite di fissaggio per la staffa del vassoio	1
63	Guarnizione a molla Ø15 per cuscinetto	1	89	Guarnizione di tenuta olio	1
64	Dado a testa quadra del disco di protezione della lama	1			



## Elenco delle parti (Cod. Art.: 210017)



IT

N. parte	Nome della parte	Quantità	N. parte	Nome della parte	Quantità
101	Involucro	1	119	Cinghia SV.400	2
102	Vela	1	120	Base di supporto	1
103	Vassoio per il cibo	1	121	Rivestimento cavo	1
104	Protezioni della lama a disco	1	122	Raschia carne	1
105	Lama	1	123	Chiusura pulsante	1
106	Anello di protezione della lama	1	124	Interruttore a pulsante	1
107	Staffa del vassoio	1	125	Condensatore	1
108	Braccio blocca cibo	1	126	Fermo del condensatore	1
109	Boccola fissa braccio	1	127	Vite della staffa orientabile	1
110	Maniglia	1	128	Manopola zigrinata	1
111	Granulo plastico	1	129	Guarnizione a molla	1
112	Motore	1	130	Camma 300	1
113	Bricchetta motore	1	131	Scheda madre	1
114	Cavo di alimentazione	1	132	Perno osculatore camma	1
115	Bulloni protezione lama	1	133	Asse scorrevole	1
116	Cuscinetto a sfere 6204	2	134	Scivolo	1
117	Ruota della cinghia	1	135	Piedino in gomma	4
118	Perno della ruota della cinghia	1	136	Bricchetta asse scorrevole	2



N. parte	Nome della parte	Quantità	N. parte	Nome della parte	Quantità
137	Relè	1	165	Guarnizione della molla per foro Ø 47	1
138	Molla dell'asse scorrevole	2	166	Dado a testa quadra del disco di protezione della lama	1
139	Asse scorrevole staffa traino	1	167	Bullone maniglia fissa braccio	1
140	Asse perpendicolare	1	168	Bullone deflettore dito	2
141	Staffa traino	1	169	Dado deflettore dito	2
142	Pulsante della staffa di traino	1	170	Bullone manopola staffa	1
143	Sede affilalama	1	171	Dado manopola staffa	1
144	Pulsante	2	172	Bullone base staffa	1
145	Ruota di affilatura fine Ø45	1	173	Vite di fissaggio asse perpendicolare	2
146	Perno della ruota di pulizia bava	2	174	Bullone bricchetta asse scorrevole	4
147	Molla della ruota di pulizia bava	2	175	Bullone asse scorrevole	1
148	Ruota di affilatura grossolana Ø45	2	176	Guarnizione molla sottostante Ø 12	1
149	Manopola serraggio affilatrice	1	177	Spessore raschia carne	2
150	Base di supporto dell'anello esterno	1	178	Bullone raschia carne	1
151	Ruota Ø 4.751	1	179	Spessore del cuscinetto del fulcro	2
152	Perno della pietra di sfregamento	1	180	Bullone del cuscinetto del fulcro	2
153	Base del sottogruppo affilatore	1	181	Blocco di acciaio inossidabile	1
154	Perno dell'anello di protezione della lama	2	182	Magnete	1
155	Perno del vassoio per alimenti	1	183	Interruttore magnetico	1
156/156A	Pannello di bloccaggio carne	1	184	Blocco parziale	1
157	Staffa dell'asse scorrevole	1	185	Microinterruttore	1
158	Ruota piccola della cinghia del motore	1	186	Copertura cuscinetto vassoio A	1
159	Ruota di trasmissione scorrevole	1	187	Copertura cuscinetto vassoio B	1
160	Maniglia staffa traino	1	188	Spessore del cuscinetto del fulcro	1
161	Assale scorrevole 608	1	189	Guarnizione di tenuta olio	1
162	Regolazione ruota della cinghia	1	190	Barra in acciaio inossidabile	1
163	Regolazione affilatrice	1	191	Vite di fissaggio per la staffa del vassoio	1
164	Guarnizione della molla per cuscinetto Ø 20	1			



## Specifiche tecniche

Prodotto n.	210031	210048	210000	210017	210086	970294
Tensione e frequenza	220-240V~ / 50 Hz					
Consumo di energia	200W	280W	320W	420W	320W	280W
Diametro lama	195 mm	220 mm	250 mm	300 mm	250 mm	220 mm
Classe di resistenza all'acqua	IP33					
Livello di protezione	Classe I					
Livello di rumore	< 70 dB (A)					
Dimensioni	400x400x (H)330 mm	440x420x (H)350 mm	485x420x (H)395 mm	600x480x (H)450 mm	485x420x (H)395 mm	440x420x (H)350 mm
Peso netto (circa)	13,5 kg	14 kg	16 kg	26 kg	16 kg	14 kg

**Attenzione: Le specifiche tecniche sono soggette a modifiche senza preavviso.**

## Garanzia

Qualsiasi difetto che influenza la funzionalità del dispositivo che compaia entro un anno dall'acquisto sarà corretto a titolo interamente gratuito o con la sostituzione del prodotto che è stato utilizzato e sottoposto a manutenzione corretta seguendo le istruzioni, senza alcuna violazione. I diritti legali del cliente non sono assolutamente modificati. Nel caso in cui l'intervento di manutenzione o sostitu-

zione sia previsto nel periodo di validità della garanzia, precisare dove e quando si è acquistato il prodotto, possibilmente allegando lo scontrino.

In linea con la nostra politica di sviluppo continuo dei prodotti, ci riserviamo il diritto di modificare il prodotto, l'imballo e le specifiche di documentazione, senza notifica alcuna.

## Smaltimento e protezione dell'ambiente

In caso di ritiro dell'apparecchiatura dal funzionamento il prodotto non può essere smaltito con altri rifiuti domestici. L'utente è responsabile della consegna dell'attrezzatura al punto di raccolta appropriato per l'attrezzatura usata. Il mancato rispetto delle disposizioni sopramenzionate può comportare l'imposizione di sanzioni in conformità con le normative vigenti in materia di smaltimento dei rifiuti. La raccolta e il riciclaggio selettivi di attrezzature usate contribuiscono alla conservazione delle risorse naturali e garantiscono il riciclaggio

in modo tale da non nuocere alla salute e all'ambiente.

Per ulteriori informazioni sui luoghi di smaltimento delle apparecchiature usate per il riciclaggio, contattare la società locale di raccolta dei rifiuti. Il produttore e l'importatore non sono responsabili per il riciclaggio e il trattamento dei rifiuti in modo ecologico, sia direttamente che nel quadro del sistema pubblico.

Stimate client,

Vă mulțumim pentru achiziționarea acestui aparat HENDI. Citiți cu atenție acest manual, acordând o atenție deosebită reglementărilor de siguranță prezentate mai jos, înainte de a instala și utiliza acest aparat pentru prima dată.

## Regulile de siguranță




- Acest aparat este destinat numai pentru uz comercial.
- Utilizați aparatul numai în scopul pentru care a fost proiectat conform descrierii din acest manual.
- Producătorul nu este răspunzător pentru nici o deteriorare cauzată de funcționarea incorectă și de utilizarea necorespunzătoare.
- Păstrați aparatul și ștecherul departe de apă și de alte lichide. În cazul în care aparatul cade în apă, scoateți imediat ștecherul de alimentare din priză. Nu utilizați aparatul înainte de verificarea acestuia de către un tehnician certificat. Nerespectarea acestor instrucțiuni va cauza riscuri care pun viața în pericol.
- Nu încercați niciodată să deschideți singur carcasa aparatului.
- Nu introduceți obiecte în carcasa aparatului.
- Nu atingeți ștecherul cu mâinile umede sau umede.
- ⚡ **Pericol de șoc electric!** Nu încercați să reparați singur aparatul, reparațiile trebuie efectuate numai de personal calificat.
- **Nu folosiți niciodată un aparat deteriorat!** Când este deteriorat, deconectați aparatul de la priză și contactați distribuitorul.
- **Avertisment!** Nu scufundați părțile electrice ale aparatului în apă sau alte lichide.
- Nu țineți niciodată aparatul sub jet de apă.
- Verificați cu regularitate ștecherul și cablul de alimentare pentru orice deteriorare. În cazul deteriorării, acesta trebuie înlocuit de un agent de service sau de o persoană calificată în mod similar, pentru a evita pericolul sau rănirea.
- Asigurați-vă că cablul nu intră în contact cu obiecte ascuțite sau fierbinți și păstrați-l departe de focul deschis. Nu trageți niciodată cablul de alimentare pentru a-l deconecta de la priză, trageți întotdeauna ștecherul în schimb.
- Asigurați-vă că cablul de alimentare și/sau cablul prelungitor nu provoacă pericol de deplasare.
- Nu lăsați niciodată aparatul nesupravegheat în timpul utilizării.
- **Avertisment!** Atâta timp cât ștecherul este în priză, aparatul este conectat la sursa de alimentare.
- Opriți aparatul înainte de a-l deconecta de la priză.
- Conectați ștecherul la o priză electrică ușor accesibilă, astfel încât, în caz de urgență, aparatul să poată fi deconectat imediat.
- Nu purtați niciodată aparatul de cablu.
- Nu utilizați dispozitive suplimentare care nu sunt furnizate împreună cu aparatul.
- Conectați aparatul numai la o priză electrică cu tensiunea și frecvența menționate pe eticheta aparatului.

RO



- Nu folosiți niciodată alte accesorii decât cele recomandate de producător. Nerespectarea acestui lucru ar putea reprezenta un risc de siguranță pentru utilizator și ar putea deteriora aparatul. Utilizați numai piese originale și accesorii.
- Acest aparat nu trebuie operat de persoane cu capacități fizice, senzoriale sau mentale reduse sau de persoane care au o lipsă de experiență și cunoștințe.
- Acest aparat nu ar trebui, în nici un caz, să fie utilizat de copii.
- Nu lăsați aparatul și cablul de alimentare la îndemâna copiilor.
- **AVERTISMENT:** Opriti întotdeauna aparatul și deconectați de la priză înainte de curățare, întreținere sau depozitare.

## Regulamente speciale de siguranță

-  **ATENȚIE!** Deconectați cablul înainte de curățare, întreținere sau reparare!
-  **ATENȚIE!** Este necesară manevrarea cu două persoane!
-  **ATENȚIE!** Citiți manualul de utilizare înainte de operare, curățare sau întreținere!
- Alimentele care urmează să fie tăiate trebuie să fie dezghețate, despachetate și fără oase înainte de a putea fi tăiate cu aparatul. Nu utilizați aparatul pentru a tăia alimente și legume congelate sau în orice alt scop.
- Utilizați aparatul numai în modul descris în manual.
- Orice altă utilizare poate avaria aparatul sau poate provoca accidente.
- Acest aparat poate fi operat numai de către personal instruit.
- Nu puneți aparatul pe un obiect de încălzire (aparat de gătit cu benzină, electric, cărbune etc.) Țineți aparatul la distanță de suprafețele fierbinți și de focul deschis. Utilizați întotdeauna aparatul pe o suprafață orizontală, stabilă, curată, termorezistentă și uscată.
- Pericol de accidentare! Aveți grijă când manipulați lama, mai ales atunci când scoateți lama pentru curățare. Purtați mănuși de protecție (nu sunt furnizate) dacă este necesar.
- **Atenție!** Așezați corespunzător cablul de alimentare, dacă este necesar, pentru a împiedica împiedicarea accidentală și căderea.
- Nu utilizați aparatul înainte de a fi asamblat corect cu lama, apărătoarea lamei și suportul pentru alimente.
- Nu utilizați aparatul în apropierea materialelor explozibile sau inflamabile, cardurilor de credit, discurilor magnetice sau radiourilor.
- Nu scoateți niciodată din circuit comutatoarele de siguranță ale aparatului.
- **AVERTISMENT:** Nu obstrucționați orificiile de ventilație ale aparatului.
- **AVERTISMENT:** Opriti ÎNTOTDEAUNA aparatul și deconectați-l de la sursa de alimentare electrică înainte de a efectua operațiuni de curățare, întreținere sau depozitare.
- **AVERTISMENT!** Mențineți ÎNTOTDEAUNA degetele, părul lung și hainele la depărtare de piesele în mișcare.
- În timpul utilizării, lăsați cel puțin 20 cm în jurul aparatului ca spațiu de ventilație.



- **AVERTISMENT!** Trebuie multă atenție la manipularea discurilor tăietoare. Dacă este necesar, purtați mănuși de protecție (nu sunt furnizate).

### Destinația produsului

- Acesta este un aparat de uz profesional.
- Aparatul este destinat doar pentru felierea alimentelor, de exemplu, mezeluri, brânză, pâine etc. Orice altă utilizare poate provoca avariarea aparatului sau accidentarea persoanelor.
- Utilizarea aparatului în orice alt scop reprezintă o utilizare incorectă. Utilizatorul este singurul răspunzător de orice utilizare incorectă a aparatului.

### Instalare împământare

Acest aparat este clasificat ca **clasa de protecție I** și trebuie conectat la un sol de protecție. Împământarea reduce riscul de șoc electric prin furnizarea unui cablu de evacuare pentru curentul

electric. Acest aparat este echipat cu un cablu de alimentare care are un fir de împământare și ștecher cu împământare. Ștecherul trebuie conectat la o priză instalată și împământată corespunzător.

### Informații privind feliatorul

#### Măsuri generale de precauție

- Feliatorul trebuie utilizat numai de oameni cu înaltă calificare, care cunosc bine măsurile de siguranță descrise în acest manual.
- În cazul în care personalul se rotește, instruirea personalului de schimb trebuie făcută dinainte.
- Deși feliatorul este prevăzut cu dispozitive de siguranță în punctele periculoase, este recomandabil să nu se atingă lama și componentele în mișcare ale acestuia.
- Înainte de a începe operațiile de curățare și întreținere ștecherul feliatorului trebuie scos din priză.
- În momentul în care dispozitivele de protecție sunt demontate pentru a se face curățarea și întreținerea riscurile reziduale trebuie evaluate cu grijă.
- Curățarea și întreținerea trebuie făcute cu multă atenție.
- Controlul regulat al cordonului de alimentare este absolut necesar; un cordon uzat sau deteriorat îl expune pe utilizator unui pericol grav de electrocutare.
- Dacă feliatorul funcționează defectuos, recomandăm să nu se încerce repararea lui; apelați la „CENTRUL DE SERVICE”.

- **Nu utilizați feliatorul pentru a tăia produse congelate, carne și pește cu oase sau orice produse altele decât cele alimentare.**
- **Când bucata de carne se apropie de capăt ea nu mai poate fi manevrată decât cu ajutorul împingătorului.**
- **Nu vă puneți în situații periculoase: lama vă poate răni.**

Producătorul și/sau vânzătorul nu pot fi făcuți răspunzători în următoarele situații:

- dacă la feliator au umblat persoane neautorizate;
- dacă unele dintre piese au fost înlocuite cu alte piese neoriginale;
- dacă instrucțiunile din acest manual nu sunt respectate cu strictețe;
- dacă produsul nu este curățat și nu se folosește marca corectă de ulei.



## Sistemele de siguranță instalate pe feliator

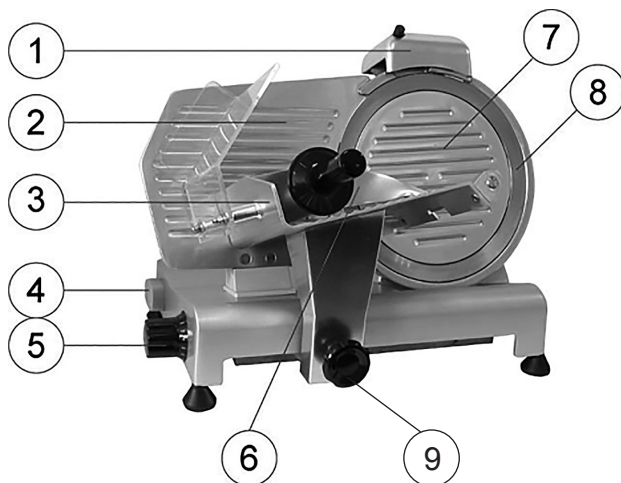
Feliatorul este echipat cu:

- un micro-întrerupător care oprește feliatorul în cazul în care tija de fixare a apărătoarei lamei este scoasă; micro-întrerupătorul nu permite repornirea feliatorului dacă apărătoarea nu a fost montată atunci când mașina era oprită.
- un releu situat în cutia de comandă și care impune repornirea feliatorului după o cădere a curentului.

Chiar dacă feliatoarele sunt prevăzute protecții electrice și mecanice (pentru timpul în care mașina este utilizată și pentru operațiile de întreținere și curățare) tot mai există **RISURI REZIDUALE** care nu pot fi complet eliminate; aceste riscuri sunt menționate în manual cu marcajul **AVERTISMENT**. Lama și alte piese ale mașinii pot provoca tăieturi și accidente.

## Părțile principale ale aparatului

- 1 Ascuțitoarea lamei
- 2 Placă rotitoare
- 3 Suport
- 4 Întrerupător On/off  
[Alb (I): PORNIT; Negru (O): OPRIT]
- 5 Butonul pentru reglarea grosimii
- 6 Clema produsului
- 7 Protecția lamei
- 8 Lamă
- 9 Blocare suport
- 10 Șurubul de protecție Lama  
(nu se afișează)

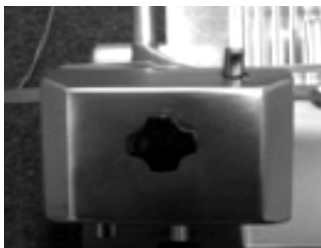


## Pregătirea pentru prima sa utilizare

- Verificați ca aparatul să nu fie avariât. În cazul unor avarii, contactați imediat furnizorul dumneavoastră și NU utilizați aparatul.
- Scoateți ambalajul acestuia.
- Păstrați ambalajul dacă intenționați să depozitați aparatul înăuntru al său pe viitor.
- Verificați caracterul complet al aparatului și pentru eventuale daune din timpul transportului. În caz de livrare incompletă sau daune, contactați imediat furnizorul. NU utilizați aparatul. (Consultați ==> Garanție).
- Curățați lama. Fiți atenți: lama este foarte ascuțită. (Utilizați mănuși dacă este necesar, acestea nu sunt incluse)
- Păstrați deschis un spațiu de cel puțin 10 cm în jurul aparatului pentru a permite o aerisire adecvată.
- Poziționați aparatul în așa fel încât priza să fie întotdeauna accesibilă.
- Dacă dispozitivul de ascuțit nu este atașat, procedați după cum urmează:



1. Vedere de sus a aparatului



2. Atașați modulul de ascuțire în așa fel încât lama să nu se miște între cele două roți.



3. Fixați dispozitivul de ascuțire la aparat prin strângerea suportului. Verificați pentru a vă asigura că dispozitivul de ascuțire este bine securizat înainte de a utiliza aparatul.

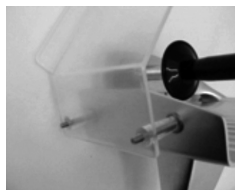
RO

**IMPORTANT! Dispozitivul de ascuțire este dotat cu un întrerupător de siguranță. Dacă dispozitivul de ascuțire nu este atașat în mod corespunzător, nu veți putea utiliza aparatul.**

- Atașați protecția pentru mână.



1. Așezați ambele șuruburi pe suport.



2. Atașați protecția pentru mână.



3. Așezați ambele garnituri peste șuruburi.



4. Însurubați cele două piulițe.

**IMPORTANT! Vă recomandăm să nu folosiți aparatul dacă suportul și apărătoarea de mână nu sunt atașate conform instrucțiunilor! Acestea sunt măsuri de siguranță pentru prevenirea eventualelor accidente. Dacă nu respectați aceste măsuri, riscați să vă accidentați.**

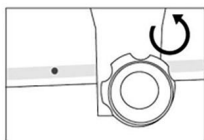


## Instrucțiuni de folosire

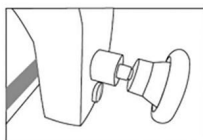
- Așezați aparatul astfel încât întrerupătorul on/off să fie poziționat cu fața la utilizator.
- Dacă ascuțitoarea lamei nu a fost instalată, procedați după cum urmează:
  - Așezați ascuțitoarea lamei în suportul său astfel încât lama să nu ajungă la angrenaj.
  - Strângeți șurubul de siguranță de pe ascuțitoarea lamei.
  - NOTĂ! Aparatul este dotat cu un întrerupător de siguranță și se va opri automat în cazul în care dispozitivul de ascuțire este îndepărtat.
- Împingeți ștecherul în priză din perete.
- Rotiți discul cu scară gradată până la grosimea feliei dorite.
- PORNIIți aparatul apăsând butonul „ALB (I)” al comutatorului PORNIT/OPRIT.
- Puneți produsul alimentară pe suport și reglați clema astfel încât să țină produsul bine pe loc. Asigurați-vă că produsul este poziționat pe platforma rotativă.
- Odată ce produsul a fost feliat, OPRIȚIți aparatul apăsând butonul „NEGRU (O)” al comutatorului PORNIT/OPRIT.
- Rotiți butonul pentru reglarea grosimii înapoi la "0".

## Cum să blocați feliatorul

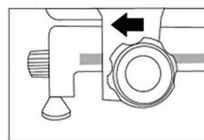
- ① Rotiți butonul contrar acelor de ceasornic.



- ② Continuați să rotiți până ce este desurubat COMPLET.

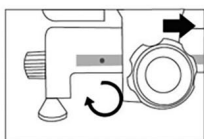


- ③ Mutați în poziția potrivită, feliatorul se va bloca automat.



## Cum să deblocați feliatorul

- ① Rotiți butonul în direcția acelor de ceasornic pentru a debloca feliatorul. Butonul trebuie să fie strâns complet pentru a bloca sistemul de glisare.



## Încărcarea și felierea alimentelor

**AVERTISMENT: Produsele care urmează a fi feliate trebuie puse pe tavă doar atunci când butonul gradat este la poziția „0”. Atenție la lamă și la muchiile ascuțite.**

Procedura este următoarea:

- după ce produsul a fost pus pe tavă și așezat lângă placă el trebuie oprit cu ajutorul brațului prevăzut cu puncte de prindere;
- cu ajutorul butonului gradat reglați la grosimea de tăiere dorită;
- pentru a evita accidentele, operatorul trebuie să stea cu fața la mașină și să aibă o poziție corectă: puneți mâna dreaptă pe împingătorul de carne și pe cea stângă pe deflector (nu atingeți lama); corpul trebuie să fie perpendicular pe suprafața de lucru (vezi FIG. nr. 1a). AVERTISMENT: Atenție maximă: nicio parte a corpului nu trebuie să atingă lama (vezi FIG. nr. 1b);

- apăsați butonul de pornire „I”;
- împingeți ușor sania (tava de alimente + împingătorul de carne + suportul) către lamă, fără a apăsa prea tare alimentele cu împingătorul, dat fiind că propria greutate a acestora le face să apese asupra calibrului de grosime. Lama va tăia cu ușurință alimentele iar feliile vor fi dirijate de deflector spre pala colectoare (vezi FIG. nr. 2);
- feliatorul nu trebuie pornit fără alimente în el;
- după ce alimentele au fost tăiate butonul gradat se aduce la poziția „0” iar mașina se oprește aducând întrerupătorul la poziția „0”;
- lama trebuie reascuțită de îndată ce se constată că feliile au o suprafață neregulată sau zdrențuită iar tăierea se face cu dificultate (vezi Ascuțirea lamei).

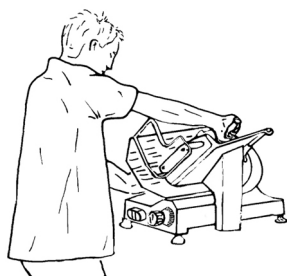


FIG. nr. 1a – Poziția corectă



FIG. nr. 1b – Poziția greșită

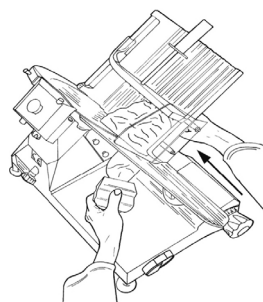


FIG. nr. 2 – Tăierea cârnii

RO



## Ascuțirea lamei

**AVERTISMENT: Înainte de a trece la ascuțirea lamei trebuie să fiți atenți la RISCURILE REZIDUALE (vezi Sistemul de siguranță electrică), respectiv la pericolul de accidentare dacă nu se respectă instrucțiunile de mai jos.**

Lama trebuie ascuțită periodic și ori de câte ori se tocește; trebuie respectate instrucțiunile detaliate de mai jos:

- lama se curăță bine cu alcool pentru a înlătura grăsimea, după ce ștecherul a fost scos din priză;
- deșurubați butonul (1, FIG. nr. 3a), ridicați (a) dispozitivul de ascuțit (2, FIG. nr. 3a) până la poziția în care se blochează 180°.

Apoi lăsați-l să se deplaseze până la capăt astfel ca lama să ajungă între cele două dispozitive de ascuțit. Blocați butonul;

- porniți feliatorul apăsând butonul „I” (PORNIT);
- apăsați butonul mic (3, FIG. nr. 3b), lăsați lama să se frece de pietrele de ascuțit timp de 30/40 sec. pentru a obține o muchie bine ascuțită;
- apăsați simultan butoanele timp de 3/4 secunde (3 și 4, FIG. nr. 3c), apoi eliberați-le simultan;
- se recomandă ca după ascuțire pietrele de ascuțit să fie curățate [vezi **Curățarea dispozitivului de ascuțit**];
- după ce s-a încheiat ascuțirea, feliatorul trebuie readus la poziția inițială inversând procedura.
- după ascuțire, lama trebuie curățată [vezi **Curățarea lamei și apărătoarei**]

**NOTĂ: Nu lungiți operația de debavurare peste 3/4 secunde pentru a evita pericolul de îndoire a lamei.**

**Lama trebuie înlocuită atunci când nu mai poate fi ascuțită sau atunci când spațiul dintre marginea lamei și apărătoarea acesteia devine mai mare de 6 mm.**

## Curățarea obișnuită

### Caracteristici generale

- Curățarea feliatorului trebuie să facă cel puțin o dată pe zi sau mai des, dacă este necesar.
- Curățarea trebuie făcută cu atenție deosebită la piesele care vin în contact direct sau indirect cu alimentele.
- Feliatorul nu se curăță cu un aparat de spălat cu apă sub presiune; se va folosi apa și un detergent neutru. **Nu folosiți alți detergenți.** Nu se vor folosi scule, perii sau alte instrumente care ar putea deteriora suprafața feliatorului.

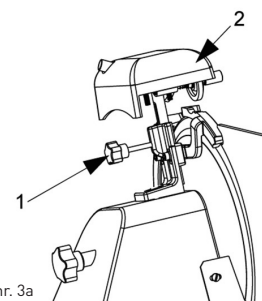


FIG. nr. 3a

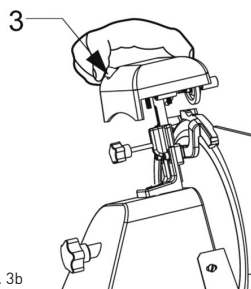


FIG. nr. 3b

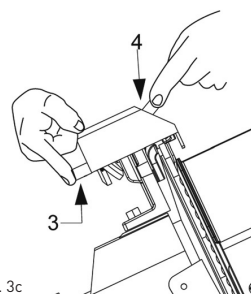


FIG. nr. 3c

Înainte a oricărei operații de curățare este necesar să:

- scoateți ștecherul din priză pentru a izola complet feliatorul de rețeaua electrică;
- aduceți butonul gradat la poziția „0”.

**AVERTISMENT: Atenție la riscurile reziduale prezentate de muchiile tăietoare și/sau ascuțite. Purtați mănuși de protecție (nu sunt furnizate) dacă este necesar.**

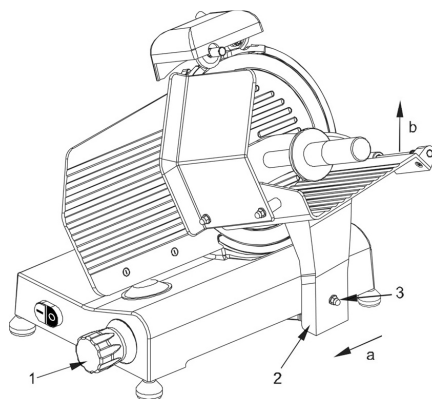


## Procedura decurățare a feliatorului

### Curățarea tăvii de alimente

Sania (tava de alimente + brațul + baza) este ușor detașabilă:

- aduceți butonul gradat la poziția „0” (1);
- aduceți sania (2) până la capătul de cursă (a), lângă comenzi;
- desfaceți șurubul (3), trageți sania în sus (b);
- după ce ați scos sania tava poate fi curățată cu apă fierbinte și detergent neutru (pH 7).



Demontarea saniei

### Curățarea lamei și apărătoarei

- Scoateți capacul de protecție a lamei deșurubând șurubul din spatele aparatului. (vezi FIG. nr. 4).

**AVERTISMENT: Curățarea lamei se face cu o cârpă udă și cu mănuși metalice.**

Pentru a curăța fața opusă este necesar să se scoată lama (vezi FIG. nr. 5).

Lama se demontează după cum urmează:

- demontarea apărătoarei lamei (vezi FIG. nr. 5);
- scoateți dispozitivul de ascuțit (a) și răsuțiți etalonul de grosime cu ajutorul butonului gradat pentru ca scula (b) (neincluse) de extragere a lamei de plexiglas să vină în contact cu etalonul;
- slăbiți șuruburile 3 și 4 (f) care fixează etalonul (conform modelului);
- sprijiniți scula de extragere a lamei de plexiglas de lamă pentru ca găurile de pe aceasta să ajungă în dreptul șuruburilor (e) apoi se răsuțește lama până când aceasta ajunge în poziția corectă;;
- strângeți ușor șurubul (e).

**N.B. Apărătoarea lamei trebuie curățată cu apă fierbinte și detergent neutru.**

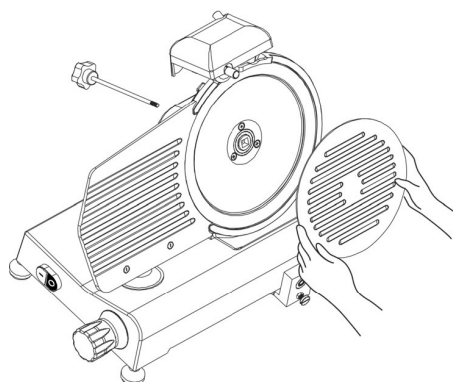


FIG. nr. 4 – Demontarea apărătoarei lamei

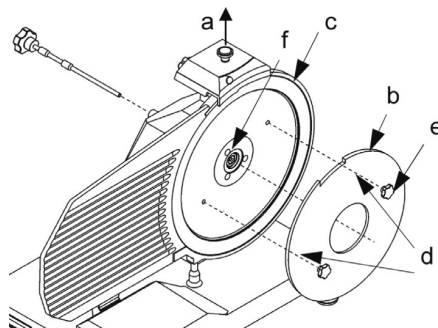


FIG. nr. 5 – Montarea sculei de extragere a lamei (b)

### Curățarea dispozitivului de ascuțit

Operația de curățare a dispozitivului de ascuțit se execută prin frecarea pietrelor cu o perie. Pietrele trebuie puse într-o poziție sigură, ceea ce înseamnă

nă că trebuie îndreptate în direcție opusă lamei de tăiat.



## Curățarea deflectorului

Pentru a scoate deflectorul se desfac cele două șuruburi (a) care îl fixează (vezi FIG. nr. 6).

Deflectorul se curăță cu apă fierbinte și detergent neutru.

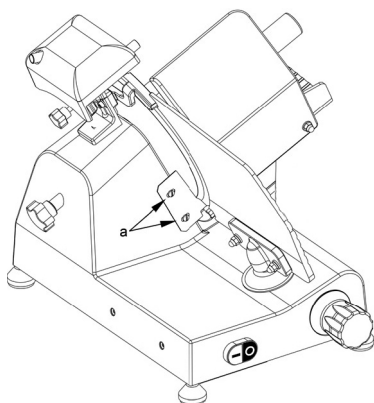


FIG. nr. 6 - Vedere a

## Întreținerea

### Caracteristici generale

Înainte de a face întreținerea este necesar să:

- Scoateți ștecherul cordonului de alimentare din priză pentru a izola complet feliatorul de rețeaua electrică.
- Aduceți butonul gradat de reglare a grosimii la poziția „0”.

RO

### Cureaua

Cureaua nu trebuie ajustată. În general ea trebuie înlocuită după 3 sau 4 ani; în acest caz trebuie să apelați la un „CENTRU DE SERVICE” autorizat.

### Picioarele

Picioarele se pot deteriora și își pot pierde elasticitatea, reducând astfel stabilitatea feliatorului. În acest caz ele trebuie înlocuite. Pentru înlocuirea picioarelor apelați la un „CENTRU DE SERVICE” autorizat.

### Cordonul de alimentare

Cordonul de alimentare trebuie verificat periodic să nu prezinte semne de uzură iar dacă are astfel de semne apelați la un „CENTRU DE SERVICE” autorizat pentru a-l înlocui.

### Lama

Verificați ca diametrul lamei să nu scadă cu mai mult de 10 mm față de valoarea inițială. Pentru a înlocui lama apelați la „CENTRUL DE SERVICE”.

### Dispozitivul de ascuțit - pietrele abrazive

Verificați dacă pietrele de ascuțit își păstrează proprietățile abrazive în timpul operațiunii de ascuțire. Dacă este necesară înlocuirea lor apelați la „CENTRUL DE SERVICE” pentru a nu deteriora lama.

### Lubrifierea ghidajelor glisante

Din timp în timp picurați câteva picături de ulei pe ghidajul rotund pe care se deplasează sania. Această operație se face prin orificiul (OIL) de lângă butonul gradat.





## Etichetele de pe panoul cu butoane

Dacă etichetele de pe panoul cu butoane au fost deteriorate apălați la „CENTRUL DE SERVICE” să le înlocuiască.

## Eliminarea mașinii

### Casarea mașinii

Dacă dintr-un motiv oarecare scoateți mașina din uz aveți grijă ca nimeni altcineva să nu o mai poată

folosi: decuplați-o de la rețea și înlăturați conexiunile electrice.

## Depozitare

• Înainte de depozitare, asigurați-vă că aparatul a fost deja deconectat de la priza electrică și că s-a răcit complet.

• Depozitați aparatul într-un loc rece, curat și uscat.

## Risoluzione dei problemi

Se l'apparecchio non funziona correttamente, si prega di controllare la tabella seguente per la soluzione. Se non si è ancora in grado di risolvere il problema, contattare il fornitore/centro assistenza.

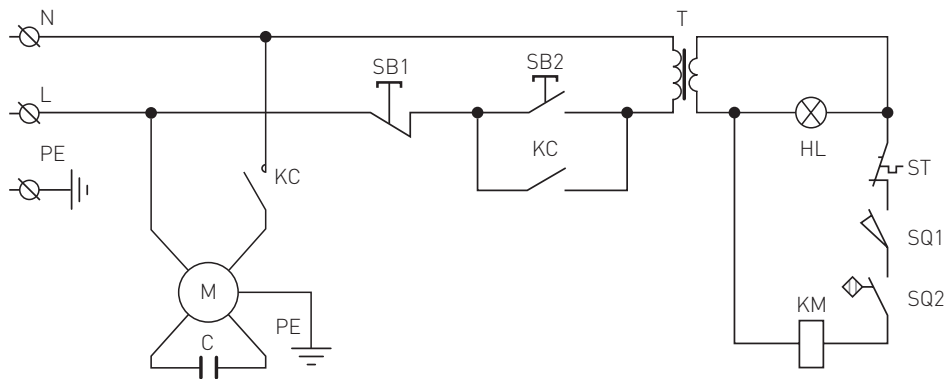
Problem	Possible cause	Solution
Aparatul nu feliază în mod egal	Lamă tocită	Ascuțiți lama
	Aparat murdar	Curățați aparatul
Aparatul nu mai feliază	Motor supraîncălzit	Lăsați mașina să se răcească pentru o perioadă îndelungată. Termostatul motorului de siguranță se va reseta automat.
Suportul nu alunecă	Glisieră murdară	Curățați glisiera și lubrifiați cu vaselină
	Se lipsesc bucăți de alimente de lamă	Opritiți aparatul și scoateți-l din priză. Lăsați-l să se oprească în mod complet. Eliminați orice blocaje Ștergeți lama cu o cârpă umedă.
Lama se oprește atunci când se taie produse.	Cureaua v este uzată sau murdară	Contactați furnizorul

RO



## Diagramă de circuit pentru 210000, 210017, 210031, 210048, 210086, 970294

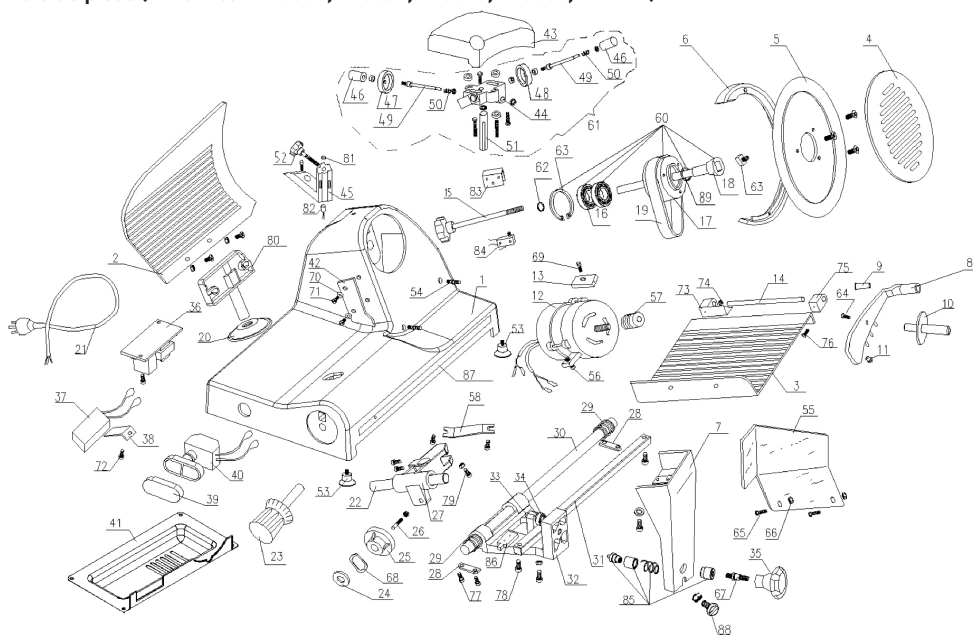
Intrare tensiune CA: 220-240 VCA 50Hz



M : Motor  
T : Transformator  
C : Condensator  
PE : Împământare de protecție (Împământare)  
L : Sub tensiune  
N : Neutru

SB1, SB2 : Comutator  
KC : Releu  
HL : Lampă indicatoare  
ST : Decupare termică  
SQ1, SQ2 : Microcomutator

## Listă de piese (Nr. articol: 210000, 210031, 210048, 210086, 970294)



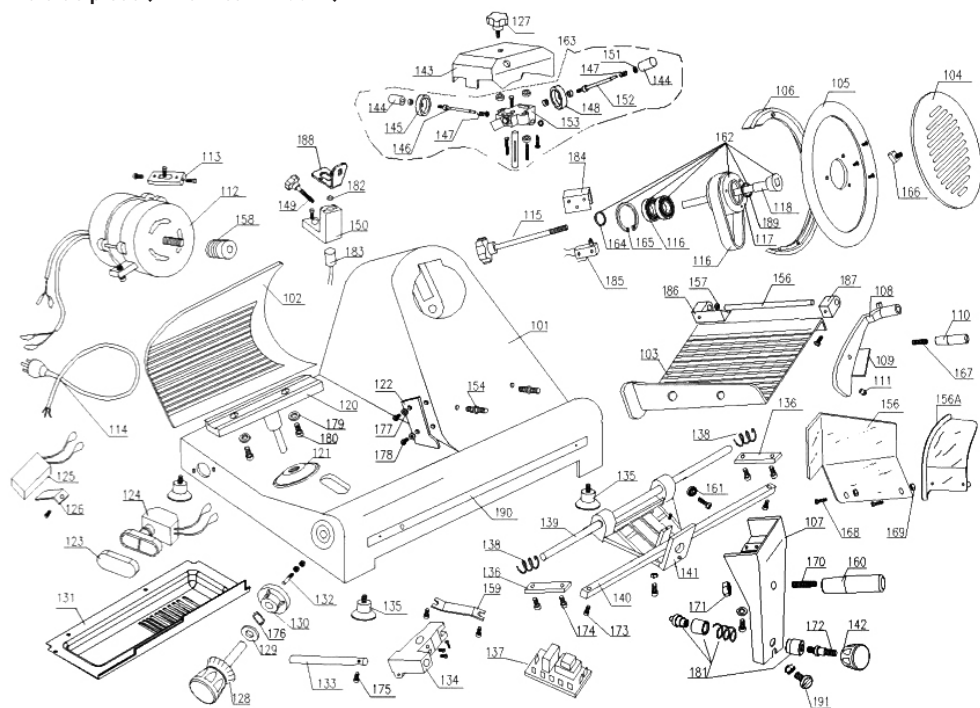
Nr. piesă	Nume piesă	Cantitate	Nr. piesă	Nume piesă	Cantitate
1	Element de închidere	1	20	Element auxiliar glisant	1
2	Sită	1	21	Linie de alimentare	1
3	Tavă pentru alimente	1	22	Ax glisant	1
4	Disc protecție lamă	1	23	Buton rotativ cu scară	1
5	Lamă	1	24	Garnitură cu arc	1
6	Inel protecție lamă	1	25	Camă	1
7	Consolă tavă	1	26	Ax basculant camă	1
8	Braț fix și pentru alimente	1	27	Glisor	1
9	Bucșă pentru braț fix	1	28	Element brichetare ax glisant	2
10	Mâner pentru braț fix	1	29	Arc pentru ax glisant consolă tragere	2
11	Granulă din plastic	1	30	Ax consolă tragere	1
12	Motor	1	31	Ax pătrat	1
13	Element brichetare motor	1	32	Consolă tragere	1
14	Știft braț fix Ø12×185	1	33	M8×35 Șurub hexagonal	1
15	Șuruburi protecție lamă	1	34	Rulment 607	1
16	Rulment 6202	2	35	Buton rotativ capac consolă tragere	1
17	Roată cureau lamă Ø66	1	36	Releu	1
18	Știftul roții cu cureau	1	37	Condensator	1
19	Cureau SV 330	2	38	Element reținere condensator	1

RO



Nr. piesă	Nume piesă	Cantitate	Nr. piesă	Nume piesă	Cantitate
39	Buton element auxiliar	1	65	Șurub mâner braț fix	1
40	Comutator buton	1	66	Șurub ecran deget	2
41	Placă principală	1	67	Piuliță ecran deget	2
42	Element eliminare carne	1	68	Șurub buton rotativ consolă	1
43	Element auxiliar element ascuțire	1	69	Consolă arc inferior	1
44	Bază subsansamblu element ascuțire	1	70	Șurub procesat motor	1
45	Bază ansamblu element ascuțire	1	71	Lamelă eliminare carne	2
46	Buton element ascuțire	2	72	Șurub element eliminare carne	2
47	Roată de rectificare fină Ø45	1	73	Șurub clemă fixare condensator	1
48	Roată de rectificare brută Ø45	1	74	Capac A rulment tavă	1
49	Știftul pietrei de frecare	2	75	Consolă placă pentru carne	1
50	Arc	2	76	Capac B rulment tavă	1
51	Știftul consolei elementului de ascuțire	1	77	Cap adâncit încastrat în cruce M6×12	2
52	Buton rotativ strângere element ascuțire	1	78	Șurub brichetare ax glisant	4
53	Arbore sită activ	1	79	Șurub blocare ax pătrat	2
54	Picior de cauciuc	4	80	Șurub ajustare glisor	1
55	Știft inel protecție lamă	2	81	Magnet	1
56	Placă blocare carne	1	82	Comutator magnet	1
57	Consolă ax glisant	2	83	Bloc din aluminiu	1
58	Curea mică roată motor	1	84	Micro-comutator	1
59	Element acționare glisare	1	85	Element blocare oțel inoxidabil	1
60	Setare roată curea	1	86	Bloc limitat	1
61	Setare element ascuțire	1	87	Bară din oțel inoxidabil	1
62	Consolă arc Ø15 pentru rulment	1	88	Șurub de fixare pentru consolă tavă	1
63	Consolă arc Ø15 pentru rulment	1	89	Etanșare ulei	1
64	Piuliță cap pătrat disc protecție lamă	1			

## Listă de piese (Nr. articol: 210017)



RO

Nr. piesă	Nume piesă	Cantitate	Nr. piesă	Nume piesă	Cantitate
101	Element de închidere	1	119	Curea SV 400	2
102	Sită	1	120	Bază de suport	1
103	Tavă pentru alimente	1	121	Element protector cablu	1
104	Disc protecție lamă	1	122	Element eliminare carne	1
105	lamă	1	123	Buton element auxiliar	1
106	Inel protecție lamă	1	124	Comutator buton	1
107	Consolă tavă	1	125	Condensator	1
108	Braț fix pentru alimente	1	126	Element reținere condensator	1
109	Bucșă pentru braț fix	1	127	Șurubul axului orientat	1
110	Mâner	1	128	Buton rotativ cu scară	1
111	Granulă din plastic	1	129	Garnitură cu arc	1
112	Motor	1	130	Camă 300	1
113	Element brichetare motor	1	131	Placă principală	1
114	Linie de alimentare	1	132	Știft basculant camă	1
115	Șuruburi protecție lamă	1	133	Ax glisant	1
116	Rulment 6204	2	134	Glisor	1
117	Roată curea	1	135	Picior de cauciuc	4
118	Știftul roșii cu curea	1	136	Element brichetare ax glisant	2



Nr. piesă	Nume piesă	Cantitate	Nr. piesă	Nume piesă	Cantitate
137	Releu	1	165	Consolă arc pentru orificiu Ø 47	1
138	Arc ax glisant	2	166	Piuliță cap pătrat disc protecție lamă	1
139	Ax glisant consolă tragere	1	167	Șurub mâner braț fix	1
140	Ax pătrat	1	168	Șurub ecran deget	2
141	Consolă tragere	1	169	Piuliță ecran deget	2
142	Buton consolă tragere	1	170	Șurub buton rotativ consolă	1
143	Element auxiliar element ascuțire	1	171	Piuliță buton rotativ consolă	1
144	Buton	2	172	Șurub buton consolă	1
145	Roată de rectificare fină Ø45	1	173	Șurub blocare ax pătrat	2
146	Știft roată curățare piatră de ascuțit	2	174	Șurub brichetare ax glisant	4
147	Arc roată curățare piatră de ascuțit	2	175	Șurub ax glisant	1
148	Roată de rectificare brută Ø45	2	176	Consolă arc inferior Ø 12	1
149	Buton rotativ strângere element ascuțire	1	177	Lamelă eliminare carne	2
150	Baza de susținere a inelului exterior	1	178	Șurub element eliminare carne	1
151	Roată Ø 4,751	1	179	Lamelă rulment punct de sprijin	2
152	Știft piatră frecare	1	180	Șurub rulment punct de sprijin	2
153	Bază subsansamblu element ascuțire	1	181	Element blocare oțel inoxidabil	1
154	știft inel protecție lamă	2	182	Magnet	1
155	Știft tavă alimente	1	183	Comutator magnet	1
156/156A	Placă blocare carne	1	184	Bloc limitat	1
157	Consolă ax glisant	1	185	Micro-comutator	1
158	Curea mică roată motor	1	186	Capac A rulment tavă	1
159	Roată transmitere glisare	1	187	Capac B rulment tavă	1
160	Mâner consolă tragere	1	188	Lamelă rulment punct de sprijin	1
161	Ax glisant 608	1	189	Etanșare ulei	1
162	Setare roată curea	1	190	Bară din oțel inoxidabil	1
163	Setare element ascuțire	1	191	Șurub de fixare pentru consolă tavă	1
164	Consolă arc pentru orificiu rulment Ø 20	1			

## Specificația tehnică

Articol nr.	210031	210048	210000	210017	210086	970294
Tensiunea de funcționare și frecvența	220-240V~ / 50 Hz					
Puterea nominală de intrare	200W	280W	320W	420W	320W	280W
Diametrul lamei	195 mm	220 mm	250 mm	300 mm	250 mm	220 mm
Clasa de protecție contra apei	IP33					
Clasa de protecție	Clasa I					
Nivel zgomot	< 70 dB (A)					
Dimensiuni	400x400x (H)330 mm	440x420x (H)350 mm	485x420x (H)395 mm	600x480x (H)450 mm	485x420x (H)395 mm	440x420x (H)350 mm
Greutate netă (aprox.)	13,5 kg	14 kg	16 kg	26 kg	16 kg	14 kg

**Observații:** Specificația tehnică poate fi modificată fără preaviz.

### Garanție

Orice defecțiune care afectează funcționarea aparatului apărută la mai puțin de un an de la cumpărarea acestuia va fi remediată prin reparație sau înlocuire gratuită, cu condiția ca aparatul să fi fost folosit și întreținut conform instrucțiunilor nu să nu fi fost bruscat sau folosit necorespunzător în vreun fel. Drepturile dumneavoastră legale nu sunt afec-

tate. Dacă aparatul este în garanție, menționați când și de unde a fost cumpărat și includeți dovada cumpărării (de ex. chitanța).

Conform politicii noastre de dezvoltare continuă a produsului, ne rezervăm dreptul de a modifica produsul, ambalajul și documentația fără notificare.

### Eliminarea și mediul înconjurător

La dezafectarea aparatului, produsul nu trebuie aruncat împreună cu alte deșeuri menajere. În schimb, este responsabilitatea dumneavoastră să eliminați echipamentul uzat prin predarea acestuia la un punct de colectare desemnat. Nerespectarea acestei reguli poate fi penalizată în conformitate cu reglementările aplicabile privind eliminarea deșeurilor. Colectarea separată și reciclarea echipamentului dumneavoastră uzat la momentul debarasării contribuie la conservarea resurselor naturale și asigură realizarea reciclării într-un mod care protejează sănătatea ființelor umane și a mediului.


Pentru informații suplimentare privind modul în care puteți preda deșeurile dumneavoastră în scopul reciclării, vă rugăm să contactați compania locală de colectare a deșeurilor. Producătorii și importatorii nu își asumă responsabilitatea cu privire la reciclarea, tratarea și eliminarea ecologică a deșeurilor, fie direct, fie prin intermediul unui sistem public.

RO



Благодарим Вас за покупку этого устройства HENDI. Внимательно прочитайте это руководство, обращая особое внимание на правила безопасности, изложенные ниже, перед установкой и использованием этого устройства в первый раз.


## Правила безопасности

- Это оборудование предназначено только для коммерческого использования.
- Используйте прибор только по назначению, для которого он был разработан, как описано в данном руководстве.
- Изготовитель не несет ответственности за любой ущерб, вызванный неправильной работой и неправильным использованием.
- Держите прибор и электрическую вилку подальше от воды и других жидкостей. В случае, если прибор попадает в воду, немедленно снимите вилку питания с розетки. Не используйте устройство до тех пор, пока оно не будет проверено сертифицированным техническим специалистом. Несоблюдение этих инструкций приведет к угрожающей жизни опасности.
- Никогда не пытайтесь открыть корпус прибора самостоятельно.
- Не вставляйте объекты в корпус прибора.
- Не прикасайтесь к вилке мокрыми или влажными руками.
-  **Опасность поражения электрическим током!** Не пытайтесь самостоятельно отремонтировать прибор, ремонт должен проводиться только квалифицированный персонал.
- **Никогда не используйте поврежденный прибор!** Когда устройство повреждено, отсоедините устройство от розетки и обратитесь к продавцу.
- **Предупреждение!** Не погружайте электрические части прибора в воду или другие жидкости.
- Никогда не удерживайте прибор под проточной водой.
- Регулярно проверяйте штекер питания и шнур на наличие повреждений. В случае повреждения его необходимо заменить сервисным агентом или лицом, имеющим аналогичную квалификацию, с тем чтобы избежать опасности или травм.
- Убедитесь, что шнур не соприкасается с острыми или горячими предметами и держите его подальше от открытого огня. Никогда не тяните шнур питания, чтобы отсоединить его от розетки, всегда тяните вилку вместо нее.
- Убедитесь, что шнур питания и/или удлинитель не вызывают опасности аварии.
- Никогда не оставляйте прибор без присмотра во время использования.
- **Предупреждение!** Пока штекер находится в розетке, прибор подключается к источнику питания.
- Выключите устройство, прежде чем отсоединить его от розетки.
- Подключите вилку питания к легкодоступной электрической розетке, чтобы в случае аварийной ситуации устройство можно было немедленно отключить.
- Никогда не носите прибор за шнур.



- Не используйте дополнительные устройства, которые не поставляются вместе с устройством.
- Подключите прибор только к электрической розетке с напряжением и частотой, указанными на этикетке устройства.
- Никогда не используйте аксессуары, кроме тех, которые рекомендованы производителем. Невыполнение этого требования может представлять опасность для безопасности пользователя и привести к повреждению устройства. Используйте только оригинальные детали и аксессуары.
- Этот прибор не должен эксплуатироваться лицами с ограниченными физическими, сенсорными или умственными возможностями, или лицами, не имеющими опыта и знаний.
- Этот прибор ни при каких обстоятельствах не должен использоваться детьми.
- Держите устройство и его шнур питания в недоступном для детей месте.
- **ПРЕДУПРЕЖДЕНИЕ:** ВСЕГДА выключите устройство и отключите розетку от розетки перед очисткой, обслуживанием или хранением.

## Специальные правила безопасности

-  **ВНИМАНИЕ!** Перед чисткой, обслуживанием или ремонтом отключайте прибор от сети!
-  **ВНИМАНИЕ!** Требуется обслуживание двумя людьми одновременно!
-  **ВНИМАНИЕ!** Перед эксплуатацией, очисткой или техническим обслуживанием прочтите руководство по эксплуатации!
- Продукты, предназначенные для резки, должны быть разморожены, без костей и распакованы. Устройство не предназначено для резки замороженных продуктов питания, овощей или для других целей.
- Используйте устройство только в соответствии с руководством.
- Любое другое применение может привести к повреждению устройства или травмам.
- Этот прибор может эксплуатироваться только обученным персоналом.
- Не устанавливайте устройство на предметах, генерирующих тепло (газовая, электрическая плита и т.п.). Устройство должно находиться вдали от горячих поверхностей и открытого пламени. Используйте устройство только на плоской, горизонтальной, чистой и сухой поверхности, устойчивой к воздействию высоких температур.
- Осторожно, опасность получения травмы! При обращении с ножом, необходима повышенная осторожность, особенно при удалении ножа. При необходимости, носите защитные перчатки (не поставляются).
- Внимание! Защитите шнур питания для предотвращения от случайного спотыкания или падения.
- Не используйте устройство прежде, чем оно будет правильно собрано с ножом, защитным кожухом ножа и лотком для пищевых продуктов.



- Не используйте устройство вблизи взрывчатых или легковоспламеняющихся материалов, кредитных карт, магнитных дисков или радиоприемников.
- Никогда не манипулируйте с предохранителями.
- **ПРЕДУПРЕЖДЕНИЕ:** Не закрывайте вентиляционные отверстия устройства.
- **ПРЕДУПРЕЖДЕНИЕ:** ВСЕГДА помните, чтобы выключать и отсоединить устройство от источника питания перед очисткой, обслуживанием или заменой аксессуаров.
- **ПРЕДУПРЕЖДЕНИЕ!** ВСЕГДА помните, чтобы не носить свободную одежду и не касаться движущихся частей руками и завязывать волосы.
- Обеспечьте пространство не менее 20 см вокруг устройства, чтобы обеспечить надлежащую вентиляцию во время использования.
- **ПРЕДУПРЕЖДЕНИЕ!** Будьте особенно осторожны при касании к режущим дискам. При необходимости надевайте защитные перчатки (не входят в комплект к устройству).

### Назначение устройства

- Устройство предназначено для профессионального использования.
- Настоящее устройство предназначено только для нарезания пищевых продуктов, в том числе мяса, сыра, хлеба и т. д. Использование устройства для любых других целей может привести к повреждению или травме тела.
- Использование устройства для любых других целей будет рассматриваться, как использование не по назначению. Пользователь будет нести исключительную ответственность за неправильное использование устройства.

RU

### Установка заземления

Этот прибор относится к **классу защиты I** и должен быть подключен к защитному грунту. Заземление снижает риск поражения электрическим током, обеспечивая выход провода для электрического тока. Этот прибор оснащен шнуром пи-

тания с заземляющим проводом и заземленной штепсельной вилкой. Вилка должна быть подключена к розетке, которая правильно установлена и заземлена.

### Информация о слайсере

#### Общие меры безопасности

- Слайсер может обслуживать только квалифицированный персонал, который ознакомился с мерами безопасности, указанными в руководстве.
- В случае изменений в кадрах, следует провести обучение.
- Несмотря на то, что слайсер оснащен защитами в опасных местах, рекомендуется не прикасаться к ножу или движущимся элементам.
- Перед очисткой и обслуживанием отключите слайсер от источника питания.
- Следует помнить об остаточном риске, когда сняты защиты для проведения очистки и обслуживания.
- Очистка и обслуживания требуют особого внимания.
- Регулярный осмотр шнура питания абсолютно необходим. Изношенный или поврежденный шнур может представлять большой риск поражения электрическим током.
- Если слайсер не работает должным образом, рекомендуется прекратить его использование и воздержаться от самостоятельного ремонта. Обратитесь, пожалуйста, в авторизованный сервисный центр.
- **Не пользуйтесь слайсером для резки замороженных продуктов, мяса с костями или рыб с костями, или других не пищевых продуктов.**
- **Нельзя использовать слайсер без прижимного устройства, когда для резки остаётся маленький кусочек мяса.**
- **Не принимайте опасные позы, нож может при-**



- вести к травме.** Производитель и/или продавец не несут ответственности в следующих случаях:
- если слайсером пользовались посторонние лица;
  - если некоторые детали были заменены неоори-

- гинальными запасными частями;
- если инструкции, содержащиеся в данном документе, точно не соблюдались;
- если слайсер не очищался и не смазывался необходимыми средствами.

### Системы безопасности, установленные в слайсере

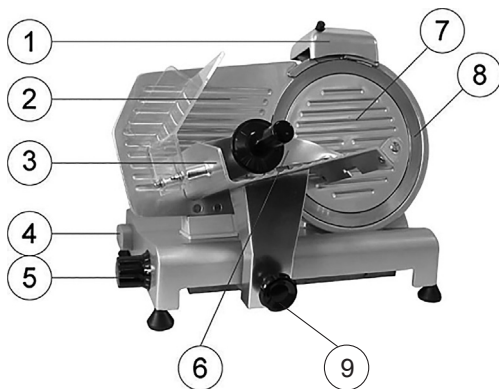
Слайсер оснащен:

- микровыключателем, который выключает слайсер, когда вынимается стержень, крепящий защитный кожух ножа; микровыключатель не позволяет осуществить повторный запуск слайсера, если кожух не будет установлен в выключенную позицию.
- реле в коробке управления, которое заставляет повторный запуск слайсера, в случае отключения электроэнергии.

Несмотря на то, что слайсеры оснащены электронной и механической защитой (во время работы слайсера и во время очистки и обслуживания), всё ещё существует **ОСТАТОЧНЫЙ РИСК**, которого нельзя полностью устранить. Такой риск указан в руководстве под знаком **ПРЕДУПРЕЖДЕНИЕ**. Нож и другие детали устройства могут привести к порезам и травмам.

### Основные детали устройства

- 1 Заточивающее устройство
- 2 Боковой край каретки
- 3 Каретка
- 4 Включатель  
[Белый (I): ВКЛ; Черный (O): ВЫКЛ]
- 5 Ручка толщины резки
- 6 Прижимное устройство продукта
- 7 Крышка оси
- 8 Лезвие
- 9 Замок каретки
- 10 Кожух болт  
(не отображается)

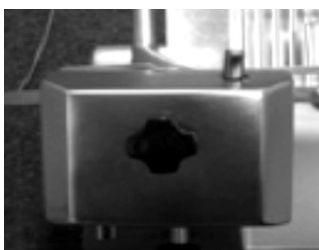


RU

### Перед первым использованием



- Убедитесь, что нет никаких недостающих частей. В противном случае обратитесь к поставщику.
- Устраните упаковочный материал.
- Сохраните упаковку, если намереваетесь хранить прибор в будущем.
- Необходимо проверить устройство на полную комплектацию и наличие повреждений при транспортировании. В случае обнаружения неполной комплектации или повреждений следует незамедлительно связаться с поставщиком. Такое устройство ЗАПРЕЩАЕТСЯ использовать. (См. ==> Гарантия).
- Очистите лезвие. Внимание: оно очень острое! (При необходимости следует использовать перчатки, не входящие в комплект)
- Оставьте свободное пространство мин.10см вокруг устройства, чтобы обеспечить необходимую вентиляцию.
- Установить устройство таким образом, чтобы обеспечить свободный доступ к вилке.
- Если затачивающее устройство не установлено, действуйте согласно представленными ниже указаниям:



1. Вид сверху

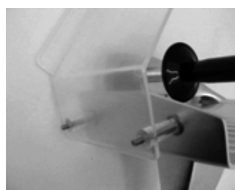
2. Установите затачивающее устройство таким образом, чтобы лезвие не передвигалось между точильными камнями.

3. Затяните ручку, чтобы затачивающее устройство было неподвижным. Перед использованием устройства убедитесь, что затачивающее устройство надежно закреплено.

RU

**ВНИМАНИЕ!** Затачивающее устройство оснащено аварийным выключателем. В случае, если он не установлен, нельзя будет пользоваться устройством.

- Укрепите экран, защищающий руки.



1. Установите два винта в каретке.

2. Установите защитный экран.

3. Установите две шайбы на винты.

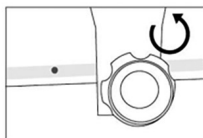
4. Закрутите две глухие гайки.

**ВНИМАНИЕ!** Рекомендуется не пользоваться устройством, если защитный экран для рук не был установлен так, как показано выше! Экран должен защищать пользователя от травм. Если экраны не установлены, существует риск получения травмы.

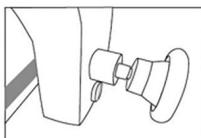
- Установите устройство таким образом, чтобы выключатель был направлен в сторону потребителя.
- Если затачивающее устройство не установлено, действуйте в соответствии с указанными ниже рекомендациями:
  - Установите затачивающее устройство на держателе так, чтобы лезвие не выступало за пределы точильных камней.
  - Затяните запорный винт на затачивающем устройстве.
  - Внимание! Если оно оснащено аварийным выключателем, он автоматически выключит устройство, когда будет устранено затачивающее устройство.
- Вложите вилку в сетевую розетку.
- Поверните ручку со шкалой и установите необходимую толщину резки.
- Включите устройство, нажав БЕЛУЮ (I) кнопку выключателя.
- Положите продукт на каретке и установите прижимное устройство так, чтобы продукт стабильно удерживать на месте. Убедитесь, что продукт прилегает к боковой кромке каретки.
- После завершения нарезания выключите устройство, нажав ЧЕРНУЮ (O) кнопку выключателя.
- Установите ручку опять в положение "0".

## Блокирование слайсера

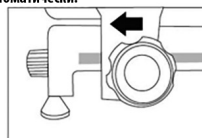
- 1 Поверните ручку против часовой стрелки.



- 2 Поворачивайте ручку пока она не будет полностью свободной.

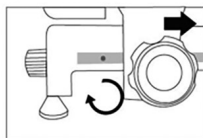


- 3 Установите каретку в необходимое положение. Слайсер блокируется автоматически.



## Разблокирование слайсера

- 1 Поверните ручку по часовой стрелке, чтобы разблокировать слайсер. Ручка должна быть повернута до конца, чтобы каретка оставалась в стабильном положении.



## Расположение и резка продуктов питания



**ПРЕДУПРЕЖДЕНИЕ:** Продукты, предназначенные для резки, могут размещаться на лотке для пищи только, если ручка регулировки установлена в положение „0”, следует также обратить внимание на нож и острые края.

Процедура заключается в следующем:

- после размещения пищи на лотке, его следует опереть на основании, блокируя его плечом с держателями;
- поворачивайте ручку регулировки, чтобы получить желаемую толщину ломтиков;
- для избежания несчастных случаев, лицо, обслуживающее слайсер, должно стоять лицом к устройству в правильном положении: опираясь правой рукой на прижимное устройство для мяса, а левую руку держать около дефлектора (не прикасайтесь к ножу); тело должно быть перпендикулярно к рабочей столешнице (смотри Рис. 1а).

**ПРЕДУПРЕЖДЕНИЕ:** Обратите особое внимание: ни одна часть тела не может иметь контакт с ножом (смотри Рис.16);

- нажмите кнопку включения „I”;
- равномерно передвигайте каретку (лоток для пищи + прижимное устройство для мяса + кронштейн) по направлению к ножу, не прижимая пищу прижимным устройством, т.к. она прижимается к основанию собственным весом. Нож легко порежет пищу, а ломтики пройдут через дефлектор и попадут на лоток (смотри Рис.2);
- не пользуйтесь слайсером без пищи;
- после резки пищи, установите ручку регулировки в положение „0” и выключите устройство, устанавливая переключатель в положение „0”;
- заточите нож, как только нарезанные кусочки будут неровные или с неровными краями, а нарезка станет трудной (смотри Заточка ножа).

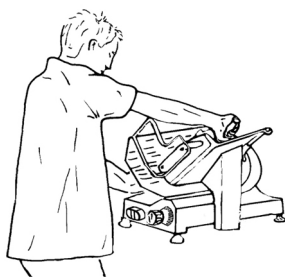


Рис. 1а – Правильная позиция



Рис. 1б – Плохая позиция

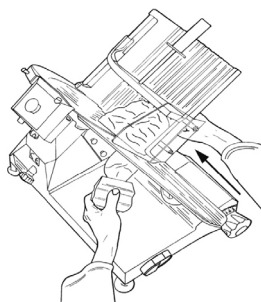


Рис. 2 – Резка мяса

## Заточка ножа

**ПРЕДУПРЕЖДЕНИЕ:** Перед заточкой ножа обратите внимание на **ОСТАТОЧНЫЙ РИСК** (смотри Электронная система безопасности), который относится к риску травмы при несоблюдении указаний, представленных ниже.

Нож следует затачивать время от времени, когда он становится тупым. Следует выполнить следующие действия:

- после отключения питания от розетки, тщательно очистите лезвие ножа спиртом, чтобы удалить жир;
- открутите ручку (поз. 1, Рис.3а), поднимите затачивающее устройство (поз.2, Рис.3а) в положение, в котором оно заблокируется и поверните на 180°.

Затем передвиньте его до конца, так, чтобы лезвие ножа попало между заточками. Заблокируйте ручку;

- включите слайсер, переключая кнопку в положение „I“ (ON);
- нажмите кнопку (поз.3, Рис.3б), позволяя, чтобы лезвие ножа тёрлось о затачивающее устройство около 30/40 секунд, пока на лезвии ножа не появится заусеница;
- нажмите одновременно кнопки (поз. 3 и 4, Рис. 3в) в течение 3-4 секунд, потом одновременно отпустите. Рис.3б;
- рекомендуется очистить точилки после заточки (смотри **Очистка затачивающего устройства**);
- после заточки, возвратите слайсер в исходное положение путем перемены процедуры на обратную.
- После заточки ножа необходимо вымыть нож слайсера (смотри **Очистка ножа и защиты ножа**).

**ВНИМАНИЕ:** Не удаляйте заусеницы в течение более, чем 3-4 сек., чтобы избежать опасной кривизны режущей кромки. Замените лезвие, если нет уже возможности заточить нож или, когда расстояние между краем лезвия и защитным экраном ножа превышает 6 мм.

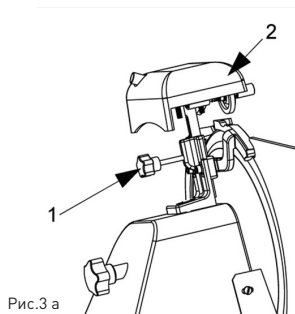


Рис.3 а

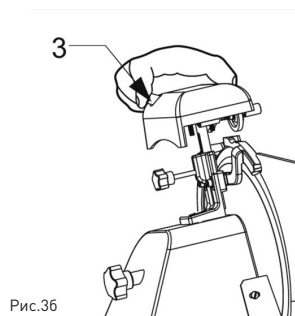


Рис.3б

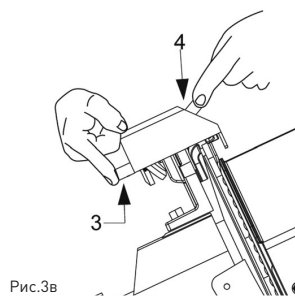


Рис.3в



## Стандартная мойка

### Общие характеристики

- Мыть слайсер следует, по крайней мере, один раз в день или чаще, в зависимости от потребностей.
- Мыть следует особенно тщательно в случае тех деталей слайсера, которые имеют прямой или косвенный контакт с пищей.
- Слайсер нельзя чистить мойкой или струёй воды высокого давления, использовать воду и нейтральное моющее средство. **Не пользоваться другими моющими средствами.** Нельзя пользоваться инструментом, щётками и другими предметами, которые могут повредить поверхность слайсера.

### Процесс мойки слайсера

#### Очистка лотка для пищи

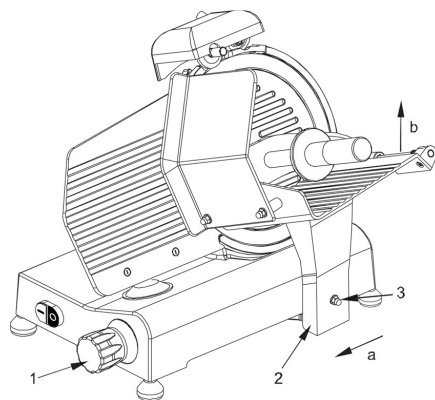
Каретку (лоток для пищи + плечо + кронштейн) можно легко разобрать:

- установите ручку регулировки в положение „0“ (1).
- установите каретку (поз. 2) на конце передвижения (поз. а), рядом с элементами управления;
- поверните болт (поз. 3), переместите каретку вверх (поз. b);
- после снятия каретки, вымойте тщательно лоток для пищи горячей водой и нейтральным моющим средством (рН 7).

Перед очисткой необходимо:

- отсоединить вилку от розетки, чтобы полностью отсоединить слайсер от сети;
- установить ручку регулировки в положение „0“.

**ПРЕДУПРЕЖДЕНИЕ: Обратите внимание на остаточный риск, вызванный режущими и/или острыми поверхностями. При необходимости, носите защитные перчатки (не поставляются).**



Разборка каретки.

#### Очистка ножа и защиты ножа

- Снимите крышку оси, открыв штифт на задней стороне устройства (смотри Рис. 4).

**ПРЕДУПРЕЖДЕНИЕ: нож чистить влажной тканью в металлических перчатках.**

Для того, чтобы очистить нож с другой стороны, его следует снять (смотри Рис. 5).

Нож снимается следующим образом:

- снимите защиту ножа (смотри Рис. 5);
- снимите заточивающее устройство (а) и поверните ручку регулировки так, чтобы устройство из оргстекла для снятия ножа (b) (не входят в комплект) примыкало к нему;

- ослабьте 3 или 4 (в зависимости от модели) винта (f), крепящие нож;
- приложите устройство из оргстекла (b) для снятия ножа так, чтобы два винта (e) вошли в отверстия в ноже, поворачивайте нож, пока он не попадет в нужное положение;
- легко затяните винт (e).

**ВНИМАНИЕ: защиту ножа следует мыть горячей водой с нейтральным моющим средством.**



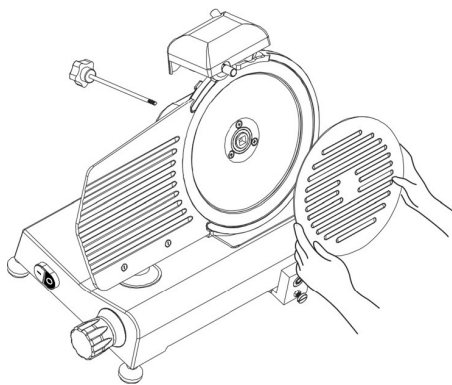


Рис. 4 – Снятие защиты ножа

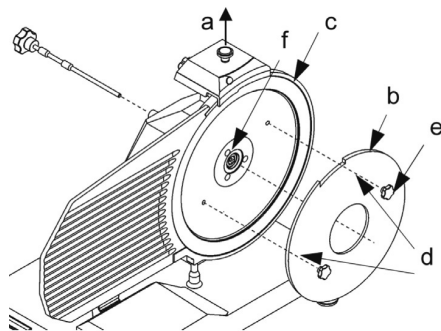


Рис. 5 – Установка устройства из оргстекла (b) для снятия ножа

### Очистка затачивающего устройства

Очистка затачивающего устройства заключается в очистке заточных камней щёткой. Камни затачивающего устройства должны быть заблокиро-

ваны, то есть они должны находиться с противоположной стороны ножа.

### Очистка дефлектора

Для того, чтобы снять дефлектор, освободите два крепящих винта (a) (смотри Рис. 6).

Вымойте дефлектор горячей водой с нейтральным моющим средством.

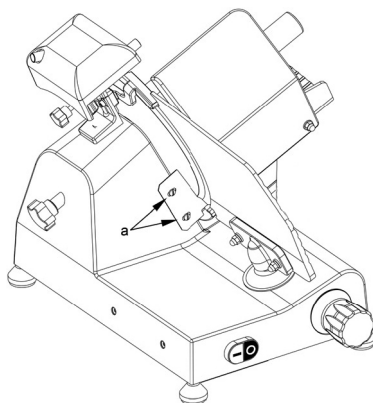


Рис. 6 – Вид дефлектора

## Техническое обслуживание

### Общие характеристики

Перед началом обслуживания:

- отключите сетевую вилку от розетки, чтобы полностью отсоединить слайсер от сети.
- установите ручку регулировки толщины резки в положение „0”.

### Ремень

Не регулируйте ремень. Обычно его заменяют после 3-4 лет, вы должны в этом случае связаться с авторизованным сервисным центром.



## Ножки

Ножки могут повредиться и потерять свою эластичность, что имеет отрицательное влияние на стабильность слайсера. В этом случае их следует

заменить. Вы должны связаться с авторизованным сервисным центром.

## Сетевой шнур

Периодически проверяйте состояние сетевого шнура, а, в случае необходимости, свяжитесь с авторизованным сервисным центром с целью его замены.

## Нож

Проверьте, не уменьшился ли нож более, чем на 10 мм по сравнению с первоначальным диаметром. Для замены ножа свяжитесь с авторизованным сервисным центром.

## Затачивающее устройство

Проверьте, сохранили ли точилки необходимые абразивные свойства во время заточки. Для того, чтобы не повредить нож, их следует периодически заменять. Для этого свяжитесь с авторизованным сервисным центром.

## Смазка направляющих

Время от времени налейте несколько капель масла на круглую направляющую, по которой движется каретка. Эти действия можете выполнять через отверстие (OIL) рядом с ручкой регулировки.

## Маркировка кнопочной панели

Если маркировка кнопочной панели повредилась, свяжитесь с авторизованным сервисным центром с целью замены.

## Утилизация устройства

### Устранение неисправного устройства

если по какой-то причине будет необходимо отключить устройство из эксплуатации, убедитесь, что никто не будет в состоянии им пользоваться:

отключите его от сети и устраните электрические соединения.

## Хранение

- Перед помещением на хранение устройство следует отключить от электрической розетки и дать ему полностью остыть .
- Устройство следует хранить в чистом, сухом и прохладном месте.

## Диагностика и устранение неисправностей

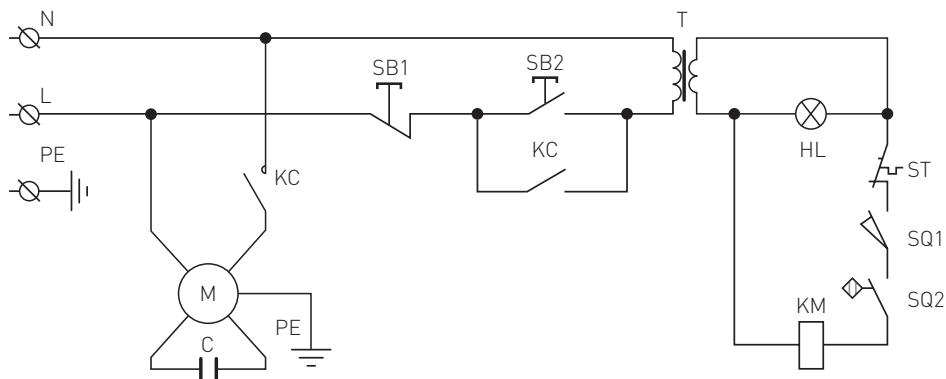
Если устройство не работает надлежащим образом, используйте следующую таблицу для поиска решения. Если вы не можете решить проблему, свяжитесь с поставщиком / сервисным специалистом.

Проблема	Возможная причина	Решение
Устройство нарезает продукты неравномерно	Тупое лезвие	Лезвие следует заточить
	Грязное устройство	Очистить устройство
Устройство не режет	Перегрелся двигатель	Оставить машину для охлаждения на длительное время. Защитный термостат от двигателя автоматически сбрасывается.
Каретка не передвигается	Загрязнился стержень, по которому передвигается каретка	Очистить стержень и смазать его вазелином
	К лезвию прилипли остатки продуктов	Выключите устройство и отключите его от электросети. Подождите, пока устройство полностью не остановится. Удалите налипшие продукты. Протрите лезвие влажной тканью.
Лезвие перестает вращаться во время резки продукта	Изношенный или грязный приводной ремень	Обратитесь к поставщику

### Схема цепи для 210000, 210017, 210031, 210048, 210086, 970294

RU

Ввод напряжения переменного тока: 220-240 В 50 Гц пер. тока

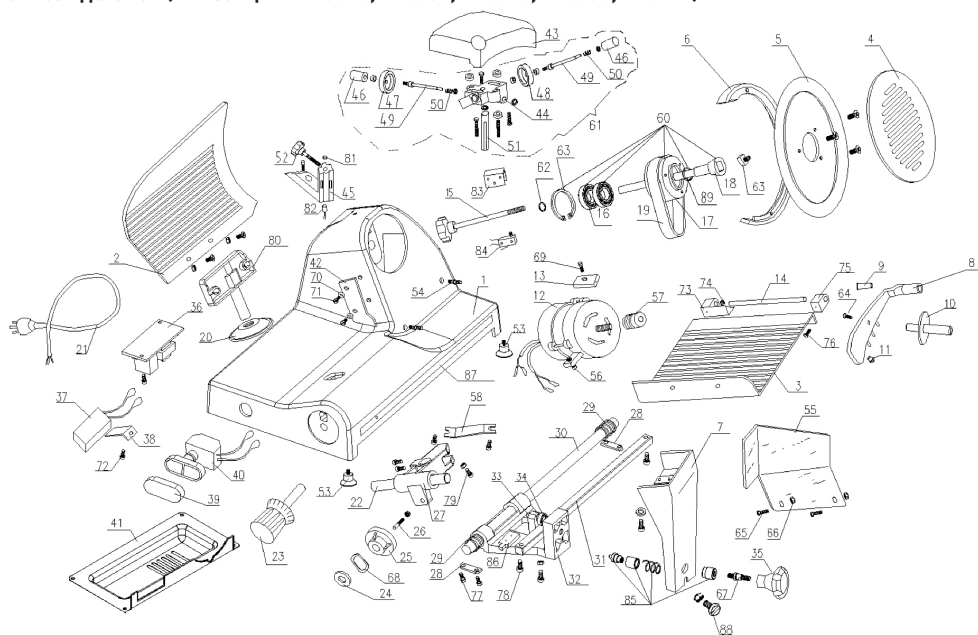


М : Двигатель  
Т : Трансформатор  
С : Конденсатор  
PE : Защитное заземление  
L : Фаза  
N : Нейтральный

SB1, SB2 : Выключатель  
KC : Реле  
HL : Индикаторная лампа  
ST : Термический выключатель  
SQ1, SQ2 : Микровыключатель



Список деталей (№ позиции : 210000, 210031, 210048, 210086, 970294)



RU

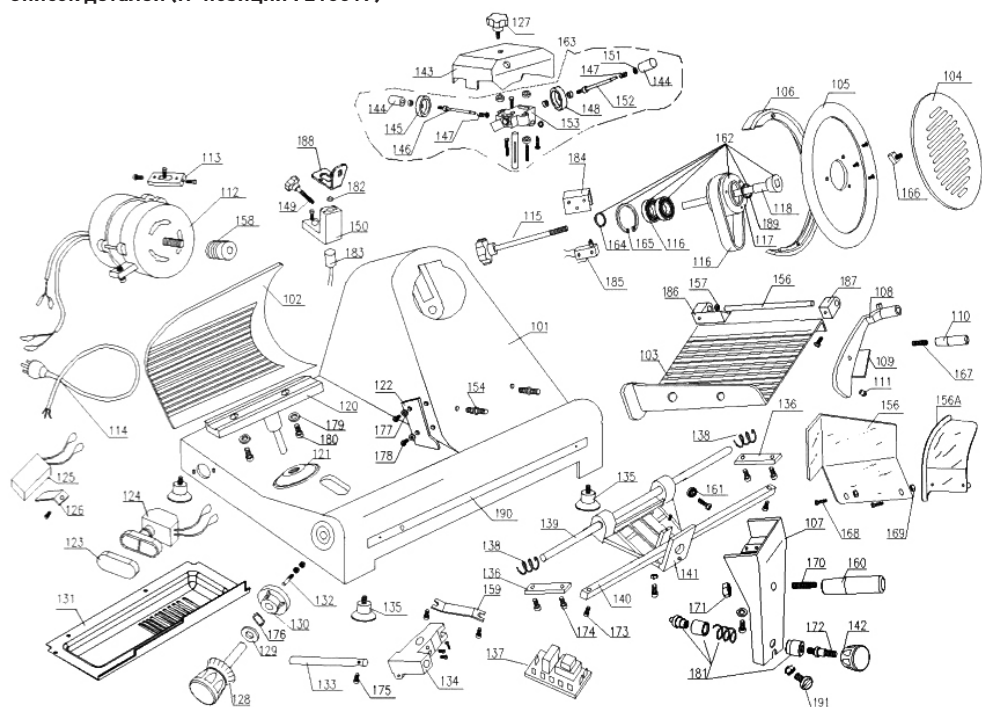
№ детали	Название детали	Количество	№ детали	Название детали	Количество
1	Ограждение	1	16	Шариковый подшипник 6202	2
2	Активная планка	1	17	Колесо для ремня лезвия Ø66	1
3	Поднос для продуктов	1	18	Штифт колеса для ремня	1
4	Диск защиты лезвия	1	19	Ремень SV.330	2
5	Лезвие	1	20	Скользящий контейнер для обрезков	1
6	Кольцо защиты лезвия	1	21	Линия питания	1
7	Скоба для поддона	1	22	Ось скольжения	1
8	Фиксированный рычаг для продуктов	1	23	Ручка с циферблатом	1
9	Втулка фиксированного рычага	1	24	Упругая прокладка	1
10	Ручка фиксированного рычага	1	25	Эксцентрик	1
11	Пластиковая гранула	1	26	Нивелир эксцентрика	1
12	Двигатель	1	27	Слайдер	1
13	Мотор для нарезки брикетов	1	28	Скользящая ось для нарезания брикетов	2
14	Штифт фиксированного рычага Ø12x185	1	29	Пружина оси скольжения тянущей скобы	2
15	Болты защиты лезвия	1	30	Ось тянущей скобы	1



№ детали	Название детали	Количество	№ детали	Название детали	Количество
31	Квадратная ось	1	61	Настройка точила	1
32	Тянущая скоба	1	62	Упругая прокладка Ø15 для подшипника	1
33	M8×35 Винт с шестигранной головкой	1	63	Упругая прокладка Ø15 для подшипника	1
34	Шариковый подшипник 607	1	64	Гайка для винта с квадратной головкой диска защиты лезвия	1
35	Ручка крышки тянущей скобы	1	65	Болт ручки фиксированного рычага	1
36	Реле	1	66	Болт заслонки для защиты пальцев	2
37	Конденсатор	1	67	Гайка заслонки для защиты пальцев	2
38	Держатель конденсатора	1	68	Болт ручки скобы	1
39	Кнопка измельчения	1	69	Нижняя упругая накладка	1
40	Кнопочный выключатель	1	70	Болт мотора	1
41	Материнская плата	1	71	Шайба скребка для мяса	2
42	Скребок для мяса	1	72	Болт скребка для мяса	2
43	Валик для заточки	1	73	Фиксирующий болт конденсатора	1
44	Основание блока заточки	1	74	Крышка поддона А	1
45	Основание блока заточки в сборе	1	75	Прокладка доски для мяса	1
46	Кнопка заточки	2	76	Крышка поддона В	1
47	Колесо измельчения Ø45	1	77	Болты с утопленной головкой М6×12	2
48	Колесо крупного измельчения Ø45	1	78	Болт скользящей оси для нарезания брикетов	4
49	Штифт точила	2	79	Фиксирующий винт оси квадрата	2
50	Пружина	2	80	Болт регулировки слайдера	1
51	Штифт скобы точила	1	81	Магнит	1
52	Ручка крепления точила	1	82	Магнитный выключатель	1
53	Активная планка пробойника	1	83	Алюминиевый блок	1
54	Резиновая ножка	4	84	Микровыключатель	1
55	Защитное кольцо штифта лезвия	2	85	Замок из нержавеющей стали	1
56	Доска блокировки мяса	1	86	Блок ограничителя	1
57	Скоба скользящей оси	2	87	Планка из нержавеющей стали	1
58	Небольшое колесо ремня мотора	1	88	Установочный винт скобы поддона	1
59	Привод скольжения	1	89	Масляное уплотнение	1
60	Установка колеса ремня	1			



## Список деталей (№ позиции : 210017)



№ детали	Название детали	Количество	№ детали	Название детали	Количество
101	Ограждение	1	117	Колесо ремня	1
102	Активная планка	1	118	Штифт колеса для ремня	1
103	Поднос для продуктов	1	119	Ремень SV.400	2
104	Диск защиты лезвия	1	120	Опорное основание	1
105	лезвие	1	121	Кабельная муфта	1
106	Кольцо защиты лезвия	1	122	Скребок для мяса	1
107	Скоба для поддона	1	123	Кнопка измельчения	1
108	Фиксированный рычаг продуктов	1	124	Кнопочный выключатель	1
109	Втулка фиксированного рычага	1	125	Конденсатор	1
110	Ручка	1	126	Держатель конденсатора	1
111	Пластиковая гранула	1	127	Винт ориентации штока	1
112	Двигатель	1	128	Ручка с циферблатом	1
113	Мотор для нарезки брикетов	1	129	Упругая прокладка	1
114	Линия питания	1	130	Эксцентрик 300	1
115	Болты защиты лезвия	1	131	Материнская плата	1
116	Шариковый подшипник 6204	2	132	Штифт нивелира эксцентрика	1



№ детали	Название детали	Количество	№ детали	Название детали	Количество
133	Скользящая ось	1	163	Настройка точила	1
134	Слайдер	1	164	Ø 20 Упругая прокладка для подшипника	1
135	Резиновая ножка	4	165	Упругая прокладка Ø 47 для отверстия	1
136	Ось скольжения для нарезания брикетов	2	166	Гайка для винта с квадратной головкой диска защиты лезвия	1
137	Реле	1	167	Болт ручки фиксированного рычага	1
138	Пружина оси скольжения	2	168	Болт заслонки для защиты пальцев	2
139	Ось скольжения тянущей скобы	1	169	Гайка заслонки для защиты пальцев	2
140	Квадратная ось	1	170	Болт ручки скобы	1
141	Тянущая скоба	1	171	Гайка ручки скобы	1
142	Кнопка тянущей скобы	1	172	Болт dna скобы	1
143	Валик для заточки	1	173	Фиксирующий винт оси квадрата	2
144	Кнопка	2	174	Болт скользящей оси для нарезания брикетов	4
145	Колесо измельчения Ø45	1	175	Болт скользящей оси	1
146	Штифт колеса для удаления обрезков	2	176	Нижняя упругая накладка Ø 12	1
147	Пружина колеса для удаления обрезков	2	177	Шайба скребка для мяса	2
148	Колесо крупного измельчения Ø45	2	178	Болт скребка для мяса	1
149	Ручка крепления точила	1	179	Тонкая прокладка подшипника центра вращения	2
150	Опорное основание наружного кольца	1	180	Болт подшипника центра вращения	2
151	Колесо Ø 4,751	1	181	Замок из нержавеющей стали	1
152	Штифт точильного камня	1	182	Магнит	1
153	Основание блока заточки	1	183	Магнитный выключатель	1
154	Защитное кольцо штифта лезвия	2	184	Блок ограничителя	1
155	Штифт поддона для продуктов	1	185	Микровыключатель	1
156/156А	Доска блокировки мяса	1	186	Крышка поддона А	1
157	Скоба оси скольжения	1	187	Крышка поддона В	1
158	Небольшое колесо ремня мотора	1	188	Тонкая прокладка подшипника центра вращения	1
159	Колесо передачи скольжения	1	189	Масляное уплотнение	1
160	Ручка тянущей скобы	1	190	Планка из нержавеющей стали	1
161	Ось скольжения 608	1	191	Установочный винт скобы поддона	1
162	Установка колеса ремня	1			



## Технические характеристики

Но продукта	210031	210048	210000	210017	210086	970294
Рабочее напряжение и частота	220-240В~ / 50 Гц					
Потребляемая мощность	200Вт	280Вт	320Вт	420Вт	320Вт	280Вт
Диаметр лезвия	195 мм	220 мм	250 мм	300 мм	250 мм	220 мм
Класс влагозащиты	IP33					
Степень защиты	I Класс					
Уровень шума	<70 дБ (А)					
Размеры	400x400x (выс.)330мм	440x420x (выс.)350мм	485x420x (выс.)395мм	600x480x (выс.)450мм	485x420x (выс.)395мм	440x420x (выс.)350мм
Вес нетто (приб.)	13,5 кг	14 кг	16 кг	26 кг	16 кг	14 кг

**Внимание:** Технические характеристики могут быть изменены без предварительного уведомления.

## Гарантия

Любая неподелка или поломка, которая влечет за собой неправильную работу устройства, которая будет выявлена в течение первого года от даты покупки, будет устранена бесплатно, или же все устройство будет заменено новым, если оно эксплуатировалось и обслуживалось согласно инструкции по обслуживанию и не использовалось неправильно, или в разрез с назначением. Данное положение ни в коей мере не нарушает иных прав потребителя, изложенных в законо-

дательстве. В случае заявления устройства в ремонт или на замену в рамках гарантии, следует указать место и дату покупки устройства и приложить счет, или чековую квитанцию.

Согласно нашей политике совершенствования наших продуктов оставляем за собой право на ввод изменений в конструкцию, упаковку и в технические параметры, указываемые в технической документации без предупреждения.

## Утилизация и защита окружающей среды

В случае вывода оборудования из эксплуатации, продукт нельзя утилизировать вместе с другими бытовыми отходами. Пользователь несет ответственность за передачу оборудования в соответствующий пункт приёма техники бывшей в употреблении. Несоблюдение вышеуказанного положения может привести к наложению штрафов в соответствии с действующими правилами в отношении утилизации отходов. Селективный сбор и утилизация использованного оборудования способствуют сохранению природных ресурсов и обеспечивают рециркуляцию таким

образом, который не вреден для здоровья и окружающей среды.

Для получения дополнительной информации о том, где можно отдать использованное оборудование для утилизации, обратитесь в местную компанию по сбору отходов. Производитель и импортер не несут ответственности за рециркуляцию и переработку отходов экологически безопасным способом, как непосредственно, так и в рамках государственной системы.





Αγαπητέ πελάτη,

Σας ευχαριστούμε για την αγορά αυτής της συσκευής HENDI. Διαβάστε προσεκτικά αυτό το εγχειρίδιο, δίνοντας ιδιαίτερη προσοχή στους κανονισμούς ασφαλείας που περιγράφονται παρακάτω, πριν εγκαταστήσετε και χρησιμοποιήσετε αυτή τη συσκευή για πρώτη φορά.

## Κανονισμοί ασφαλείας




- Η συσκευή προορίζεται μόνο για επαγγελματική χρήση.
- Χρησιμοποιείτε μόνο τη συσκευή για τον επιδιωκόμενο σκοπό για τον οποίο σχεδιάστηκε όπως περιγράφεται στο παρόν εγχειρίδιο.
- Ο κατασκευαστής δεν ευθύνεται για τυχόν ζημιές που προκαλούνται από λανθασμένη λειτουργία και ακατάλληλη χρήση.
- Κρατήστε τη συσκευή και το ηλεκτρικό βύσμα μακριά από νερό και άλλα υγρά. Σε περίπτωση που η συσκευή πέσει στο νερό, αφαιρέστε αμέσως το βύσμα τροφοδοσίας από την πρίζα. Μην χρησιμοποιείτε τη συσκευή μέχρι να ελεγχθεί από πιστοποιημένο τεχνικό. Η μη τήρηση αυτών των οδηγιών θα προκαλέσει απειλητικούς κινδύνους για τη ζωή.
- Ποτέ μην επιχειρήσετε να ανοίξετε μόνοι σας το περίβλημα της συσκευής.
- Μην εισάγετε αντικείμενα στο περίβλημα της συσκευής.
- Μην αγγίζετε το βύσμα με βρεγμένα ή υγρά χέρια.
- ⚡ **Κίνδυνος ηλεκτροπληξίας!** Μην επιχειρήσετε να επισκευάσετε τη συσκευή μόνοι σας, οι επισκευές πρέπει να πραγματοποιούνται μόνο από εξειδικευμένο προσωπικό.
- **Ποτέ μην χρησιμοποιείτε μια κατεστραμμένη συσκευή!** Όταν είναι κατεστραμμένο, αποσυνδέστε τη συσκευή από την πρίζα και επικοινωνήστε με το κατάστημα λιανικής πώλησης.
- **Προειδοποίηση!** Μην βυθίζετε τα ηλεκτρικά μέρη της συσκευής σε νερό ή άλλα υγρά.
- Ποτέ μην κρατάτε τη συσκευή κάτω από τρεχούμενο νερό.
- Ελέγχετε τακτικά το βύσμα τροφοδοσίας και το καλώδιο για τυχόν ζημιές. Σε περίπτωση βλάβης, πρέπει να αντικατασταθεί από αντιπρόσωπο εξυπηρέτησης ή με παρόμοια προσόντα, ώστε να αποφεύγεται ο κίνδυνος ή ο τραυματισμός.
- Βεβαιωθείτε ότι το καλώδιο δεν έρχεται σε επαφή με αιχμηρά ή ζεστά αντικείμενα και κρατήστε το μακριά από ανοιχτή φωτιά. Μην τραβάτε ποτέ το καλώδιο τροφοδοσίας για να το αποσυνδέσετε από την πρίζα, πάντα τραβάτε το βύσμα.
- Βεβαιωθείτε ότι το καλώδιο τροφοδοσίας ή/και το καλώδιο προέκτασης δεν προκαλούν κίνδυνο διαφυγής.
- Μην αφήνετε ποτέ τη συσκευή αφύλακτη κατά τη χρήση.
- **Προειδοποίηση!** Όσο το βύσμα βρίσκεται στην πρίζα, η συσκευή είναι συνδεδεμένη με την πηγή τροφοδοσίας.
- Απενεργοποιήστε τη συσκευή πριν την αποσυνδέσετε από την πρίζα.
- Συνδέστε το βύσμα ρεύματος σε μια εύκολα προσβάσιμη πρίζα, ώστε σε περίπτωση ανάγκης να αποσυνδεθεί αμέσως η συσκευή.
- Ποτέ μην μεταφέρετε τη συσκευή από το καλώδιο.
- Μην χρησιμοποιείτε επιπλέον συσκευές που δεν παρέχονται μαζί με τη συσκευή.

GR



- Συνδέστε τη συσκευή μόνο σε πρίζα με την τάση και τη συχνότητα που αναφέρονται στην ετικέτα της συσκευής.
- Ποτέ μην χρησιμοποιείτε εξαρτήματα εκτός από αυτά που συνιστώνται από τον κατασκευαστή. Εάν δεν γίνει κάτι τέτοιο, θα μπορούσε να αποτελέσει κίνδυνο για την ασφάλεια του χρήστη και θα μπορούσε να προκαλέσει βλάβη στη συσκευή. Χρησιμοποιείτε μόνο αυθεντικά εξαρτήματα και αξεσουάρ.
- Η συσκευή αυτή δεν πρέπει να λειτουργεί από άτομα με μειωμένες σωματικές, αισθητηριακές ή διανοητικές ικανότητες ή άτομα με έλλειψη εμπειρίας και γνώσης.
- Αυτή η συσκευή δεν πρέπει, σε καμία περίπτωση, να χρησιμοποιείται από παιδιά.
- Κρατήστε τη συσκευή και το καλώδιο τροφοδοσίας μακριά από παιδιά.
- **ΠΡΟΕΙΔΟΠΟΙΗΣΗ:** Πάντα απενεργοποιείτε τη συσκευή και αποσυνδέετε την πρίζα πριν από τον καθαρισμό, τη συντήρηση ή την αποθήκευση.

## Ειδικοί Κανονισμοί Ασφαλείας

-  **ΠΡΟΣΟΧΗ!** Βγάλτε από την πρίζα πριν καθαρίσετε, συντηρήσετε και επισκευάσετε!
-  **ΠΡΟΣΟΧΗ!** Απαιτείται χειρισμός από δυο άτομα!
-  **ΠΡΟΣΟΧΗ!** Διαβάστε τις οδηγίες πριν την χρήση, καθαρισμό και συντήρηση!

GR

- Προκειμένου να κοπεί το τρόφιμο, θα πρέπει να είναι αποψυγμένο, ασυσκευάστο και απαλλαγμένο από οστά, πριν να κοπεί με τη συσκευή. Μην χρησιμοποιείτε τη συσκευή για την κοπή παγωμένων τροφίμων, λαχανικών ή για οποιαδήποτε άλλη χρήση.
- Χρησιμοποιείτε τη συσκευή μόνο με τον τρόπο που περιγράφεται σε αυτό το εγχειρίδιο χρήσης.
- Η χρήση οποιουδήποτε άλλου μπορεί να οδηγήσει σε ζημιά στη συσκευή ή σε τραυματισμό.
- Η συσκευή πρέπει να χειρίζεται μόνο από εκπαιδευμένο προσωπικό.
- Μην τοποθετείτε την συσκευή επάνω σε θερμαινόμενα αντικείμενα (φούρνους υγραερίου, ηλεκτρικούς ή ψησταριές, κ.τ.λ.) Διατηρείτε την συσκευή μακριά από θερμές επιφάνειες και ελεύθερη φλόγα. Να χρησιμοποιείτε πάντα τη συσκευή σε μία επίπεδη, σταθερή, καθαρή, θερμοανθεκτική και στεγνή επιφάνεια.
- **Κίνδυνος τραυματισμού!** Χρειάζεται προσοχή κατά την μεταχείριση της λεπίδας, ειδικά κατά την αφαίρεση της για καθαρισμό. Φοράτε προστατευτικά γάντια (δεν παρέχονται) αν είναι απαραίτητο.
- **Προσοχή!** Οδηγείτε το καλώδιο με ασφάλεια, αν κριθεί απαραίτητο, για να μη σκοντάψετε ή πέσετε.
- Μην χρησιμοποιείτε τη συσκευή, προτού αυτή είναι πλήρως συναρμολογημένη με τη λεπίδα, τη προστασία της λεπίδας και το στήριγμα τροφίμου.
- Μην χρησιμοποιείτε τη συσκευή κοντά σε εκρηκτικά ή εύφλεκτα υλικά, πιστωτικές κάρτες, μαγνητικούς δίσκους ή ραδιόφωνα.
- Μην παρακάμπετε τις συνδέσεις ασφαλείας της συσκευής.



- **ΠΡΟΕΙΔΟΠΟΙΗΣΗ:** Απομακρύνετε όλα τα εμπόδια γύρω από όλα τα ανοίγματα εξαερισμού της συσκευής.
- **ΠΡΟΕΙΔΟΠΟΙΗΣΗ:** Πριν από τον καθαρισμό, τη συντήρηση ή την αποθήκευση, να απενεργοποιείτε ΠΑΝΤΑ τη συσκευή και να την αποσυνδέετε από την παροχή ρεύματος.
- **ΠΡΟΕΙΔΟΠΟΙΗΣΗ!** Διατηρείτε ΠΑΝΤΑ χέρια, μακριά μαλλιά και ενδύματα μακριά από τα κινούμενα μέρη.
- Αφήστε τουλάχιστον 20 cm ελεύθερο χώρο γύρω από τη συσκευή για λόγους αερισμού κατά τη χρήση.
- **ΠΡΟΕΙΔΟΠΟΙΗΣΗ!** Προσέχετε ιδιαίτερα κατά τον χειρισμό των δίσκων κοπής. Να φοράτε προστατευτικά γάντια (δεν παρέχονται), εάν είναι απαραίτητο.

### Προβλεπόμενη χρήση

- Η συσκευή προορίζεται για επαγγελματική χρήση.
- Η συσκευή αυτή είναι σχεδιασμένη μόνο για την κοπή τροφίμων, π.χ. κρεατικά, τυριά, ψωμί, κ.τ.λ. Η χρήση οποιουδήποτε άλλου μπορεί να οδηγήσει σε ζημιά στο σασκευή ή σε τραυματισμό. Οποιαδήποτε άλλη χρήση μπορεί να προκαλέσει ζημιά στη συσκευή ή τραυματισμό.
- Η χρήση της συσκευής για οποιονδήποτε άλλο σκοπό θεωρείται εσφαλμένη. Ο χρήστης είναι αποκλειστικά υπεύθυνος για την μη κατάλληλη χρήση της συσκευής.

### Εγκατάσταση γείωσης

Η συσκευή αυτή ταξινομείται ως **κατηγορία προστασίας Ι** και πρέπει να συνδέεται με προστατευτικό έδαφος. Η γείωση μειώνει τον κίνδυνο ηλεκτροπληξίας παρέχοντας ένα καλώδιο διαφυγής για το ηλεκτρικό ρεύμα. Αυτή η συσκευή είναι εφοδιασμένη με

καλώδιο τροφοδοσίας που διαθέτει καλώδιο γείωσης και γειωμένο βύσμα. Το βύσμα πρέπει να συνδεθεί σε μια πρίζα που είναι σωστά εγκατεστημένη και γειωμένη.

GR

### Πληροφορίες σχετικά με τη συσκευή κοπής

#### Γενικές προφυλαξεις

- Το εργαλείο κοπής πρέπει να χρησιμοποιείται μόνο από υψηλά εξειδικευμένα άτομα, τα οποία έχουν πλήρη γνώση για τα μέτρα ασφαλείας τα οποία παρουσιάζονται στο εγχειρίδιο αυτό.
- Σε περίπτωση αλλαγής προσωπικού, παρέχεται εκπαίδευση από πριν.
- Αν και η συσκευή κοπής είναι εξοπλισμένη με συσκευές ασφαλείας στα επικίνδυνα σημεία, συνιστάται να μην αγγίζετε την λεπίδα και τα κινητά μέρη.
- Προτού ξεκινήσετε να καθαρίζετε και να συντηρείτε τις λειτουργίες, βγάλτε τη συσκευή κοπής από τη πρίζα.
- Αξιολογήστε με προσοχή τους υπόλοιπους κινδύνους με την αφαίρεση των προστατευτικών συσκευών για να συνεχίσετε τον καθαρισμό και τη συντήρηση.
- Ο καθαρισμός και η συντήρηση απαιτούν ιδιαίτερη συγκέντρωση.
- Ο τακτικός έλεγχος της παροχής ρεύματος είναι ιδιαίτερα απαραίτητος; ένα φθαρμένο ή κατεστραμμένο καλώδιο μπορεί να οδηγήσει σε έκθεση των χρηστών σε υψηλό κίνδυνο ηλεκτροπληξίας.
- Αν η συσκευή κοπής παρουσιάσει βλάβες, η χρήση ή η προσπάθεια επισκευής της συσκευής δεν συνιστάται, παρακαλούμε να καλέσετε το «ΚΕΝΤΡΟ ΕΠΙΣΚΕΥΗΣ ΚΑΙ ΣΥΝΤΗΡΗΣΗΣ».
- **Μην χρησιμοποιείτε τη συσκευή αυτή σε παγωμένα προϊόντα, κρέατα και ψάρια με κόκκαλα και άλλα προϊόντα, διαφορετικά από τρόφιμα.**
- **Μην χρησιμοποιείτε τη συσκευή κοπής χωρίς τον προωθητή κρέατος, όταν το κρέας είναι σχεδόν έτοιμο.**
- **Μην τοποθετείτε το σώμα σας σε επικίνδυνη θέση, η λεπίδα μπορεί να προκαλέσει τραυματισμούς.**



Ο κατασκευαστής ή/και ο πωλητής δεν αναλαμβάνουν καμία ευθύνη στις παρακάτω περιπτώσεις:

- σε περίπτωση που η συσκευή κοπής παραποιηθεί από μη εξουσιοδοτημένο προσωπικό,
- αν κάποια μέρη έχουν αντικατασταθεί από μη αυθεντικά ανταλλακτικά,

- αν οι οδηγίες που αναγράφονται στο εγχειρίδιο αυτό δεν ακολουθούνται ορθά,

- αν η συσκευή κοπής δεν καθαρίζεται και λιπαίνεται με τα σωστά προϊόντα.

### Συστήματα ασφαλείας εγκατεστημένα στη συσκευή κοπής

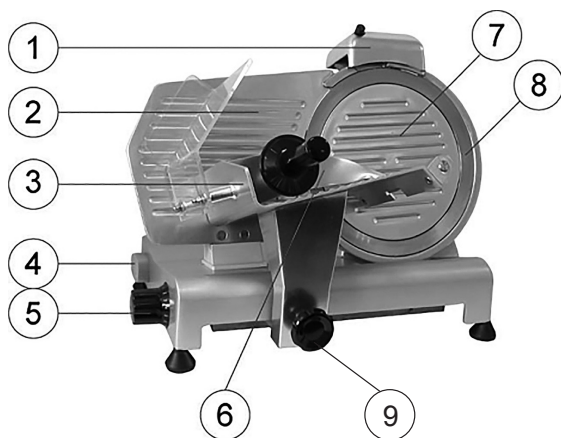
Η συσκευή κοπής είναι εξοπλισμένη με:

- έναν μικροδιακόπτη ο οποίος απενεργοποιεί τη συσκευή σε περίπτωση που η συνδετική ράβδος της προστασίας λεπίδας αφαιρεθεί, ο μικροδιακόπτης προστατεύει από την επανεκκίνηση της συσκευής, αν η προστασία δεν έχει οριστεί στην απενεργοποιημένη θέση.
- ένας ηλεκτρονόμος στον πίνακα ελέγχου, ο οποίος απαιτεί την επανεκκίνηση της συσκευής, όταν συμβαίνει μία διακοπή ρεύματος.

Όταν η συσκευή είναι σε λειτουργία για λειτουργίες συντήρησης και καθαρισμού, υπάρχουν ακόμα **ΥΠΟΛΕΙΠΟΜΕΝΟΙ ΚΙΝΔΥΝΟΙ**, οι οποίοι δεν μπορούν να εξαλειφθούν πλήρως, οι κίνδυνοι αυτοί αναφέρονται στο εγχειρίδιο αυτό στην ενότητα **ΠΡΟΕΙΔΟΠΟΙΗΣΕΙΣ**. Η λεπίδα καθώς και τα άλλα μέρη της συσκευής μπορούν να προκαλέσουν κοψίματα και τραυματισμούς.

### Κύρια τμήματα της συσκευής

- 1 Ακονιστήρι
- 2 Επιφάνεια αναστολής
- 3 Κινούμενος δίσκος
- 4 Διακόπτης ενεργοποίησης/ απενεργοποίησης ON/OFF [Λευκό (I): ON, Μαύρο (O): OFF]
- 5 Ρυθμιστής πάχους φετών
- 6 Σφικτήρας προϊόντος
- 7 Προστατευτικό κάλυμμα λεπίδας
- 8 Λεπίδα
- 9 Βίδα προστατευτικού καλύμματος
- 10 Βίδα ασφάλισης λεπίδας (δεν απεικονίζεται)

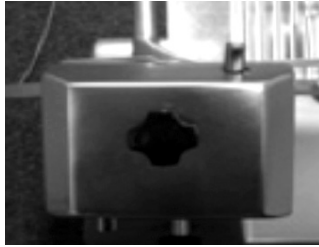


## Προετοιμασίες πριν την αρχική χρήση

- Ελέγξτε τη συσκευή και βεβαιωθείτε ότι υπάρχουν όλα τα εξαρτήματα. Εάν λείπουν εξαρτήματα, επικοινωνήστε με τον προμηθευτή σας.
- Αφαιρέστε όλα τα υλικά συσκευασίας.
- Φυλάξτε τη συσκευασία εάν σκοπεύετε να αποθηκεύσετε τη συσκευή σας στο μέλλον.
- Ελέγξτε τη συσκευή για πληρότητα και ζημιές κατά τη μεταφορά. Σε περίπτωση ελλιπούς παράδοσης ή βλάβης, επικοινωνήστε αμέσως με τον προμηθευτή. ΜΗΝ χρησιμοποιήσετε τη συσκευή. (Δείτε ==> Εγγύηση).
- Καθαρίστε τη λεπίδα. Προσοχή: Η λεπίδα είναι εξαιρετικά κοφτερή. (Εάν χρειάζεται, χρησιμοποιήστε γάντια - δεν περιλαμβάνονται)
- Αφήστε κενό χώρο τουλάχιστον 10 cm γύρω από τη συσκευή για να υπάρχει επαρκής αερισμός.
- Τοποθετήστε τη συσκευή με τέτοιο τρόπο ούτως ώστε να υπάρχει πρόσβαση στο φινι ανά πάσα στιγμή.
- Εάν το ακονιστήρι δεν είναι προσαρτημένο, προχωρήστε ως εξής:



1. Κάτοψη της συσκευής



2. Τοποθετήστε τη μονάδα ακονισματος με τέτοιο τρόπο που η λεπίδα να μην κινείται μεταξύ των γραναζιών.

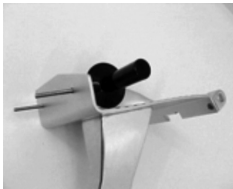


3. Ασφαλίστε το ακονιστήρι στη συσκευή σφίγγοντας το εξάρτημα συγκράτησης. Ελέγξτε για να βεβαιωθείτε ότι το ακονιστήρι είναι καλά στερεωμένο πριν τη χρήση του μηχανήματος.

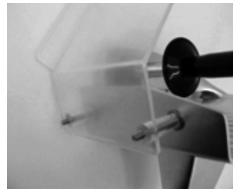
GR

**Ασφαλίστε το ακονιστήρι στη συσκευή σφίγγοντας το εξάρτημα συγκράτησης. Ελέγξτε για να βεβαιωθείτε ότι το ακονιστήρι είναι καλά στερεωμένο πριν τη χρήση του μηχανήματος.**

- Τοποθετήστε το προστατευτικό χειρών.



1. Τοποθετήστε και τις δύο βίδες στον κινούμενο δίσκο.



2. Τοποθετήστε το προστατευτικό χειρών



3. Τοποθετήστε τις δύο ροδέλες πάνω από τις βίδες.



4. Βιδώστε από πάνω τα δύο καλύμματα βιδών.

**ΣΗΜΕΙΩΣΗ!** Σας συμβουλεύουμε να μην χρησιμοποιήσετε τη συσκευή εάν το προστατευτικό χειρών δεν είναι τοποθετημένο όπως ορίζεται στις οδηγίες! Αυτά είναι εξαρτήματα ασφαλείας που προλαμβάνουν πιθανούς τραυματισμούς. Εάν δεν τοποθετήσετε αυτά τα εξαρτήματα, θα υπάρχει κίνδυνος να σημειωθεί τραυματισμός.

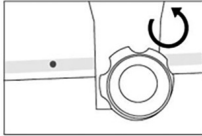


## Οδηγίες χρήσης

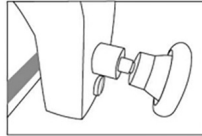
- Τοποθετήστε τη συσκευή με τρόπο που ο διακόπτης ON/OFF να είναι στραμμένος προς το χρήστη.
- Αν δεν έχει τοποθετηθεί το ακονιστήρι λεπίδας, συνεισάτε ως εξής:
  - Τοποθετήστε το ακονιστήρι λεπίδας στη βάση του, έτσι ώστε η λεπίδα να μην προεξέχει μεταξύ των γραναζιών.
  - Σφίξτε τη βίδα ασφαλείας στο ακονιστήρι.
  - ΣΗΜΕΙΩΣΗ: Η συσκευή διαθέτει ένα διακόπτη ασφαλείας και θα απενεργοποιηθεί αυτόματα αν αφαιρεθεί το ακονιστήρι.
- Βάλτε το φιν στην πρίζα.
- Γυρίστε το ρυθμιστή πάχους με διαβαθμίσεις στο επιθυμητό πάχος φετών.
- Ενεργοποιήστε τη συσκευή πιέζοντας το «ΛΕΥΚΟ (I)» κουμπί του διακόπτη ON/OFF
- Τοποθετήστε το τρώφιμο πάνω στον κινούμενο δίσκο και προσαρμόστε τον σφιγκτήρα ώστε να συγκρατεί το προϊόν σταθερά στη θέση του. Βεβαιωθείτε ότι το προϊόν είναι τοποθετημένο πάνω στην επιφάνεια αναστολής.
- Μετά το κόψιμο του τροφίμου, απενεργοποιήστε τη συσκευή πιέζοντας το "ΜΑΥΡΟ (O)" κουμπί στον διακόπτη ON/OFF.
- Γυρίστε τον ρυθμιστή πάχους ξανά στο "0".

## Τρόπος ασφάλισης του μηχανήματος κοπής σε φέτες

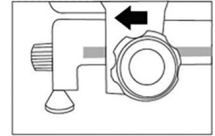
- ① Γυρίστε το διακόπτη αριστερόστροφα.



- ② Συνεχίστε να γυρίζετε το διακόπτη μέχρι να ξεβιδωθεί ΤΕΛΕΙΩΣ.



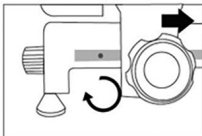
- ③ Μετακινήστε τον κινούμενο δίσκο στην κατάλληλη θέση και το μηχάνημα κοπής σε φέτες θα ασφαλίσει αυτόματα. cznie



GR

## Τρόπος απασφάλισης του μηχανήματος κοπής σε φέτες

- ① Γυρίστε το διακόπτη δεξιόστροφα για να απασφαλίσετε το μηχάνημα κοπής σε φέτες. Θα πρέπει να γυρίσετε το διακόπτη ΤΕΛΕΙΩΣ για να σφίξετε τον κινούμενο δίσκο.



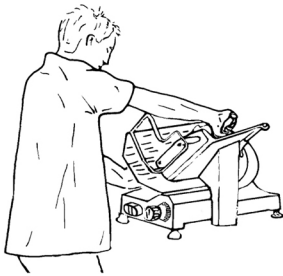
## Τοποθέτηση και κοπή των τροφίμων

**ΠΡΟΕΙΔΟΠΟΙΗΣΗ:** Τα προϊόντα προς κοπή πρέπει να τοποθετούνται στο δίσκο τροφίμων μόνο όταν ο διακόπτης είναι στη θέση «0». Δείτε προσοχή στη λεπίδα και στις κοφτερές γωνίες.

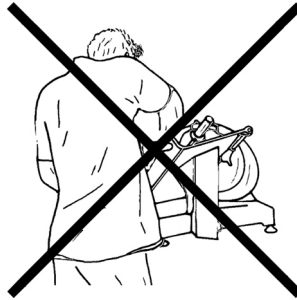
Η διαδικασία έχει ως εξής:

- όταν το προϊόν έχει τοποθετηθεί στο δίσκο τροφίμων και είναι τοποθετημένο στο πιάτο, σταματήστε το με το εργαλείο που παρέχεται με σημεία συγκράτησης,
- ρυθμίστε το κουμπί περιστροφής με τέτοιο τρόπο, ώστε να βρείτε το επιθυμητό πάχος κοπής,
- για να αποφύγετε τα ατυχήματα, ο χρήστης της θα πρέπει να έχει τη συσκευή μπροστά του και να έχει σωστή θέση σώματος: τοποθετείστε το δεξί χέρι στον προωθητή κρέατος και το αριστερό δίπλα στον εκτροπέα (μην αγγίζετε την λεπίδα), το σώμα πρέπει να είναι κάθετα επί της επιφάνειας κοπής (βλ. ΕΙΚ. 1α). **ΠΡΟΕΙΔΟΠΟΙΗΣΗ:** Δείξτε εξαιρετική προσοχή: κανένα μέρος του σώματος σας δεν πρέπει να έρθει σε επαφή με τη λεπίδα (βλ. ΕΙΚ 1b);

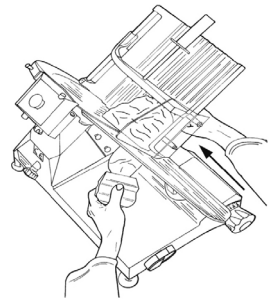
- πιέστε το κουμπί ενεργοποίησης «I»,
- σπρώξτε ήρεμα το φορτίο (δίσκος τροφίμων + προωθητής κρέατος + κορμός) προς τη λεπίδα χωρίς να ασκείτε πίεση στα τρόφιμα με τον προωθητή κρέατων, δεδομένου ότι έχουν τη δική τους ισχύ βαρύτητας, η οποία ασκεί πίεση στη πλάκα πάχους. Η λεπίδα θα κόψει με ευκολία τα τρόφιμα και οι φέτες θα οδηγηθούν από τον εκτροπέα στο δίσκο συλλογής (βλ. ΕΙΚ 2);
- μην θέτετε σε λειτουργία τη συσκευή κοπής χωρίς τρόφιμα, όταν έχει ολοκληρωθεί η κοπή των τροφίμων, τοποθετείστε το διακόπτη περιστροφής στη θέση «0» και απενεργοποιήστε τη συσκευή τοποθετώντας το διακόπτη στη θέση «0»,
- τροχίστε ξανά τη λεπίδα όταν οι φέτες δείχνουν
- μία σκληρή ή φαγωμένη επιφάνεια και το κόψιμο αυτών γίνεται δύσκολο (βλ. Τροχίζοντας τη λεπίδα).



Εικ. 1α. Σωστή θέση



Εικ. 1b. Κακή θέση



Εικ. 2. Κοπή κρέατος

GR

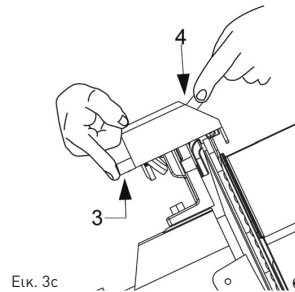
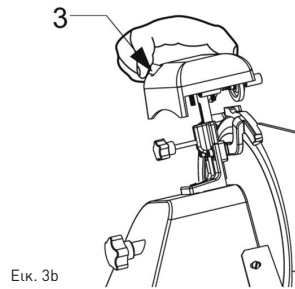
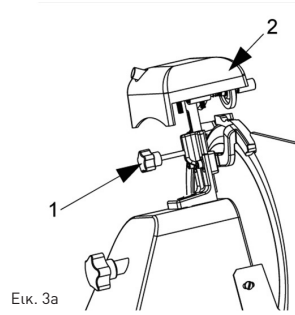


## Τροχίζοντας τη λεπίδα

**ΠΡΟΕΙΔΟΠΟΙΗΣΗ:** Πρωτού προχωρήσετε στο τρόχισμα της λεπίδας, παραμείνετε σε εγρήγορση για τους **ΛΟΙΠΟΥΣ ΚΙΝΔΥΝΟΥΣ** (βλ. Σύστημα ηλεκτρικής ασφαλείας), οι οποίοι αναφέρονται στο κίνδυνο τραυματισμού σε περίπτωση που δεν ακολουθηθούν οι παρακάτω οδηγίες.

Η λεπίδα πρέπει να τροχίζεται περιοδικά, όταν γίνεται αμβλεια, οι αναλυτικές οδηγίες που δίνονται παρακάτω, πρέπει να ακολουθούνται:

- καθαρίστε τη λεπίδα με ακρίβεια με οινόπνευμα για να αφαιρέσετε το λίπος, αφού η ριζα έχει αποσυνδεθεί,
- ξεβιδώστε τον διακόπτη (1, Εικ. 3a), σκώστε (a) το τροχιστήριο (2 Εικ. 3a) στη θέση κλειδώματος και περιστρέψτε το 180°.  
Ύστερα αφήστε το να κινηθεί ως το τέλος, έτσι ώστε η λεπίδα να είναι τοποθετημένη ανάμεσα στα δύο τροχιστήρια. Κλειδώστε το κουμπι,
- ενεργοποιήστε τη συσκευή πατώντας το κουμπι με την ένδειξη «I» (ON),
- πιέστε το μικρό κουμπι (3, Εικ. 3b), αφήστε τη λεπίδα να περιστραφεί επάνω στο τροχιστήριο για 30/40 δευτερόλεπτα για να δημιουργήσει μία κοφτερή προεξοχή στην άκρη της λεπίδας,
- πιέστε τα πλήκτρα ταυτόχρονα για 3/4 δευτερόλεπτα (3 και 4, Εικ. 3c) και μετά αφήστε τα ταυτόχρονα,
- συνίσταται ο καθαρισμός των τροχιστηρίων με τη λήξη του τρόχιματος (βλ. **Καθαρίζοντας το τροχιστήριο**),
- όταν το τρόχισμα έχει ολοκληρωθεί, φέρτε τη λεπίδα πίσω στην αρχική της ρύθμιση με την αντίστροφη διαδικασία.
- μετά το τρόχισμα, η λεπίδα θα πρέπει να καθαριστεί (βλ. **Καθαρίζοντας Λεπίδα και προστασία λεπίδας**)



**ΣΗΜΕΙΩΣΗ:** Μην παρατείνετε τη διαδικασία προεξοχής για πάνω από 3/4 δεύτ. έτσι ώστε να αποφευχθεί μία επικίνδυνη διπλωση της κοφτερής επιφάνειας των λεπίδων.

Η λεπίδα θα πρέπει να αντικατασταθεί, όταν δεν μπορεί να τροχιστεί άλλο ή όταν το κενό μεταξύ της λεπίδας και του προστατευτικού της είναι παραπάνω από 6 χιλιοστά.



## Τακτικός καθαρισμός

### Γενικά χαρακτηριστικά

- Ο καθαρισμός της λεπίδας πρέπει να πραγματοποιείται τουλάχιστον μία φορά τη μέρα ή συχνότερα, αν κριθεί απαραίτητο.
- Ο καθαρισμός πρέπει να είναι εξαιρετικά ακριβής για τα μέρη αυτά της λεπίδας, τα οποία είναι άμεσα ή έμμεσα σε επαφή με τα τρόφιμα.
- Η λεπίδα δεν πρέπει να καθαρίζεται με καθαρισμό νερού και με πιεστικά νερού, χρησιμοποιείστε νερό και ουδέτερα απορρυπαντικά. **Μη χρησιμοποιείτε άλλα απορρυπαντικά.** Εργαλεία, βούρτσες και άλλες συσκευές είναι πιθανόν να προκαλέσουν ζημιά στην επιφάνεια κοπής δεν πρέπει να χρησιμοποιούνται.

Πριν την εκτέλεση του καθαρισμού είναι απαραίτητο να:

- αποσυνδέσετε την παροχή ρεύματος για να απομονώσετε την συσκευή κοπής από το λοιπό ηλεκτρικό δίκτυο εντελώς,
- να ρυθμίσετε το περιστρεφόμενο διακόπτη που ρυθμίζει το δίσκο στη θέση «0».

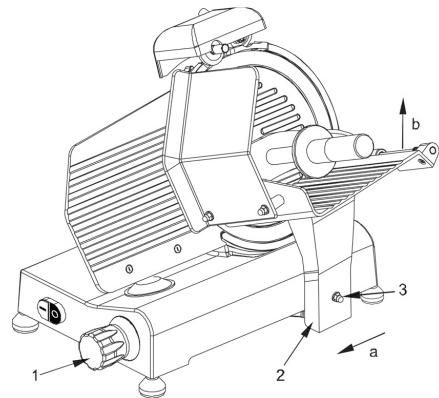
**ΠΡΟΕΙΔΟΠΟΙΗΣΗ: Δείξτε προσοχή στους λοιπούς κινδύνους λόγω των κοφτερών γωνιών. Φοράτε προστατευτικά γάντια (δεν παρέχονται) αν είναι απαραίτητο.**

## Διαδικασία καθαρισμού συσκευής κοπής

### Καθαρισμός δίσκου τροφίμων

Το φορτίο (δίσκος τροφίμων + βραχίονας + κορμός) αφαιρούνται εύκολα:

- να ρυθμίσετε το περιστρεφόμενο διακόπτη στη θέση «0» (1),
- ρυθμίστε το φορτίο (2) στο τέλος της διαδρομής του (a) κοντά στα πλήκτρα ελέγχου,
- ξεβιδώστε τη βίδα (3), και σύρετε το φορτίο μπροστά (b),
- αφού έχετε αφαιρέσει το φορτίο, είναι δυνατό να καθαρίσετε με ακρίβεια το δίσκο του φαγητού με ζεστό νερό και ουδέτερο απορρυπαντικό (pH 7).



Αφαίρεση του φορτίου



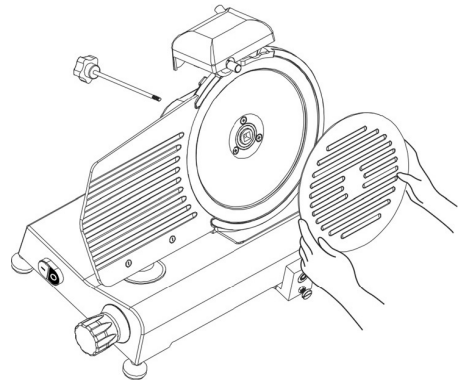
### Καθαρίζοντας Λεπίδα και προστασία λεπίδας

- Αφαιρέστε το προστατευτικό κάλυμμα της λεπίδας ξεβιδώνοντας τον πείρο στο πίσω μέρος της συσκευής (βλ. Εικ. 4).

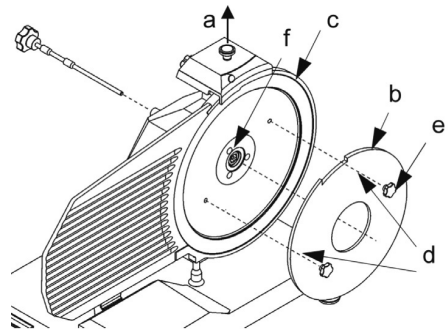
**ΠΡΟΕΙΔΟΠΟΙΗΣΗ: Ο καθαρισμός της λεπίδας πρέπει να πραγματοποιηθεί με υγρό πανί και μεταλλικά γάντια.**

Για να καθαρίσετε την αντίθετη επιφάνεια της λεπίδας, συνίσταται η αφαίρεση της λεπίδας (βλ. Εικ. 5). Η λεπίδα πρέπει να αφαιρείται ως εξής:

- αποσυναρμολογήστε το προστατευτικό της λεπίδας (βλ. Εικ. 5),
- αφαιρέστε το τροχιστήριο (a) και περιστρέψτε τη λεπίδα πάχους με το περιστρεφόμενο διακόπτη για να φέρετε το εργαλείο αφαίρεσης λεπίδας από Plexiglas (b) (δεν παρέχονται) κοντά στην λεπίδα,
- χαλαρώστε 3 ή 4 βίδες (f) (σύμφωνα με το μοντέλο) για να στερεώσετε τη λεπίδα,
- λείρετε το εργαλείο αφαίρεσης της λεπίδας Plexiglas προς τη λεπίδα για να έχετε τη ζεύξη των τρυπών της λεπίδας με τις δύο βίδες (e), περιστρέψτε την λεπίδα μέχρι να φτάσει στη σωστή θέση,
- σφίξτε ελαφρά την βίδα (e).



Εικ. 4 – Αφαίρεση προστατευτικού της λεπίδας



Εικ. 5 – Συναρμολογήστε το εργαλείο αφαίρεσης λεπίδας από Plexiglas (b)

**ΠΡΟΕΙΔΟΠΟΙΗΣΗ: Η προστασία της λεπίδας πρέπει να καθαρίζεται με καυτό νερό και ουδέτερο απορρυπαντικό.**

### Καθαρίζοντας το τροχιστήριο

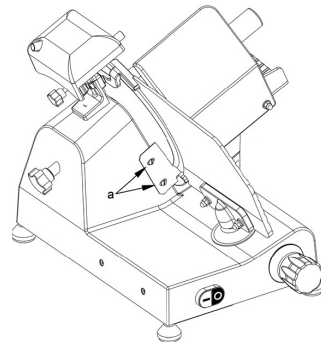
Η λειτουργία καθαρισμού διενεργείται με το τρίψιμο τα σημεία τριβής με μία βούρτσα. Αυτά πρέπει να τοποθετούνται σε θέση ασφαλείας, που σημαίνει ότι

### Καθαρίζοντας τον εκτροπέα

Για να αφαιρέσετε τον εκτροπέα, ξεβιδώστε τις δύο βίδες (a) που κρατάνε τον εκτροπέα σταθερό (βλ. Εικ. 6).

Καθαρίστε τον εκτροπέα με καυτό νερό και ουδέτερο απορρυπαντικό.

πρέπει να είναι στραμμένα προς την αντίθετη πλευρά της λεπίδας.



Εικ. 6 - Άποψη του εκτροπέα

---

## Συντήρηση

### Γενικά χαρακτηριστικά

Πριν την συντήρηση, κρίνεται απαραίτητο να:

- Αποσυνδέσετε το καλώδιο παροχής ρεύματος για να απομονώσετε την συσκευή κοπής από το λοιπό ηλεκτρικό δίκτυο εντελώς,
- Τοποθετήσετε το περιστρεφόμενο διακόπτη ρύθμισης του δίσκου πάχους στη θέση «0».

### Ιμάντας

Ο ιμάντας δεν ρυθμίζεται. Πρέπει, γενικά, να αντικαθίσταται κάθε 3 ή 4 χρόνια, στη περίπτωση αυτή παρακαλώ καλέστε το εξουσιοδοτημένο «ΚΕΝΤΡΟ ΕΠΙΣΚΕΥΩΝ».

### Πόδια στήριξης

Τα πόδια στήριξης ενδέχεται να χάσουν την ελαστικότητα τους, μειώνοντας έτσι τη σταθερότητα της συσκευής κοπής. Στη περίπτωση αυτή θα πρέπει να αντικατασταθούν. Καλέστε στο εξουσιοδοτημένο «ΚΕΝΤΡΟ ΕΠΙΣΚΕΥΩΝ» για να αντικαταστήσετε τα πόδια στήριξης.

### Καλώδιο παροχής ρεύματος

Να ελέγχετε τακτικά το καλώδιο παροχής ρεύματος για οποιαδήποτε συμπτώματα φθοράς, αν υπάρχει αυτό, παρακαλώ καλέστε το «ΚΕΝΤΡΟ ΕΠΙΣΚΕΥΩΝ» για να το αντικαταστήσουν.

### Λεπίδα

Ελέγξτε ότι η λεπίδα δεν έχει απώλεια πάνω από 10 χιλιοστά από την αρχική της διάμετρο. Για να την αντικαταστήσετε, καλέστε το «ΚΕΝΤΡΟ ΕΠΙΣΚΕΥΩΝ».

### Τροχιστήριο - σημεία τριβής

Ελέγξτε ότι τα σημεία τριβής διατηρούν την λειαντική τους ιδιότητα κατά τη διαδικασία τροχίσματος. Καλέστε το «ΚΕΝΤΡΟ ΕΠΙΣΚΕΥΩΝ» αν κριθεί απαραίτητο για την αντικατάσταση αυτών, για να εμποδίσετε τη καταστροφή της λεπίδας.

### Λιπανση των συρομενων οδηγων

Να ρίχνετε τακτικά μερικές σταγόνες λάδι στο στρογγυλό συρόμενο οδηγό, στον οποίο το φορτίο κινείται μπροστά και πίσω. Η λειτουργία αυτή μπορεί να πραγματοποιηθεί ανοίγοντας το (OIL) δίπλα στο περιστρεφόμενο διακόπτη.

### Ενδειξη του πίνακα διακοπών

Αν οι ενδείξεις στο πίνακα έχουν καταστραφεί, καλέστε το «ΚΕΝΤΡΟ ΕΠΙΣΚΕΥΩΝ» για αντικατάσταση.

---

### Διανομή συσκευής

#### Αποσυροντας τη συσκευή

αν για κάποιο λόγο κριθεί απαραίτητη η απόσυρση της συσκευής, βεβαιωθείτε ότι κανένας δεν θα την

χρησιμοποιήσει: αποσυνδέστε την από τους αγωγούς και διακόψτε κάθε ηλεκτρική σύνδεση.

---

### Αποθήκευση

- Πριν την αποθήκευση, βεβαιωθείτε ότι η συσκευή έχει αποσυνδεθεί από την πρίζα και ότι έχει κρυώσει εντελώς.
- Αποθηκεύστε τη συσκευή σε δροσερό, καθαρό και στεγνό μέρος.



## Αντιμετώπιση προβλημάτων

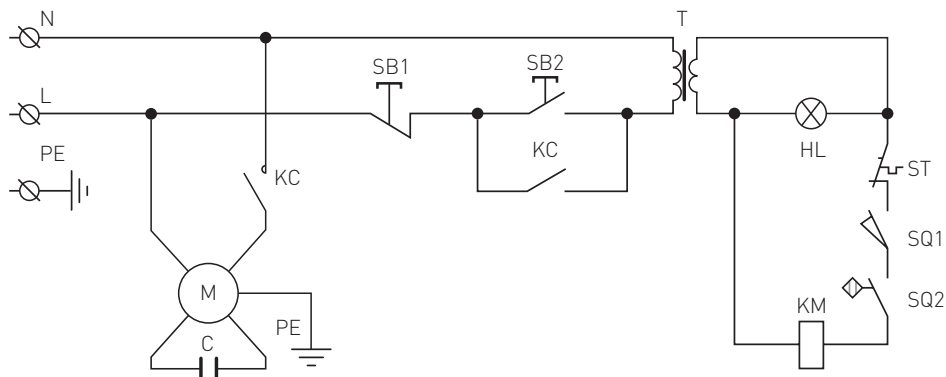
Αν η συσκευή δεν λειτουργεί σωστά, συμβουλευτείτε τον παρακάτω πίνακα για πιθανές λύσεις. Αν συνεχίσετε να μην μπορείτε να επιλύσετε το πρόβλημα, επικοινωνήστε με τον προμηθευτή/πάρχοο σέρβις.

Πρόβλημα	Πιθανή αιτία	Λύση
Η συσκευή δεν κόβει ομοιόμορφα	Στομωμένη λεπίδα	Ακονίστε τη λεπίδα
	Βρώμικη συσκευή	Καθαρίστε τη συσκευή
Η συσκευή σταματάει να κόβει	Υπερθερμασμένο μοτέρ	Αφήστε το μηχάνημα να κρυώσει για αρκετό διάστημα. Ο θερμοστάτης ασφαλείας του μοτέρ θα κάνει αυτόματα επαναφορά.
Ο κινούμενος δίσκος δεν ολισθαίνει	Βρώμικη ράβδος ολίσθησης	Καθαρίστε τη ράβδο ολίσθησης και λιπάνετε τη με βαζελίνη.
	Έχει κολλήσει φαγητό στη λεπίδα	Απενεργοποιήστε τη συσκευή και αποσυνδέστε την από την πρίζα. Περιμένετε να σταματήσει τελείως. Αφαιρέστε τυχόν αντικείμενα που μπορεί να φράξουν. Σκουπίστε τη λεπίδα με ένα υγρό πανί.
Η λεπίδα σταματάει όταν τεμαχίζει το προϊόν	Φθαρμένος ή βρώμικος ιμάντας κίνησης	Επικοινωνήστε με τον προμηθευτή

## Διάγραμμα κυκλώματος για τα μοντέλα 210000, 210017, 210031, 210048, 210086, 970294

GR

Είσοδος τάσης AC: AC220-240V 50Hz

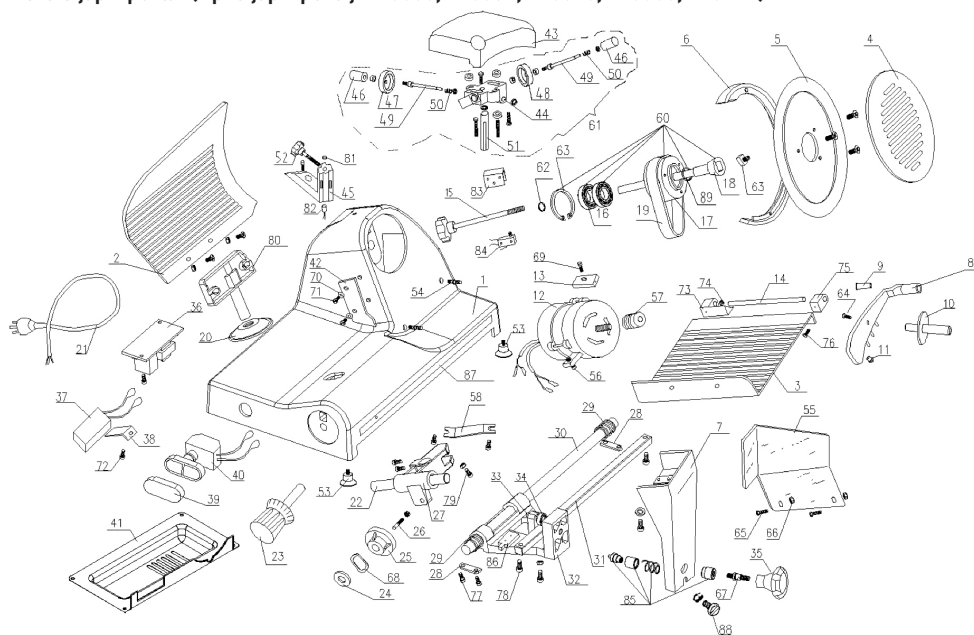


M : Κινητήρας  
T : Μετασχηματιστής  
C : Πυκνωτής  
PE : Προστατευτική γείωση (Γείωση)  
L : Με ρεύμα  
N : Ουδέτερο

SB1, SB2 : Διακόπτης  
KC : Ρελέ  
HL : Ενδεικτική λυχνία  
ST : Θερμική διακοπή  
SQ1, SQ2 : Μικροδιακόπτης



## Λίστα εξαρτημάτων (Αρ. εξαρτήματος: 210000, 210031, 210048, 210086, 970294)



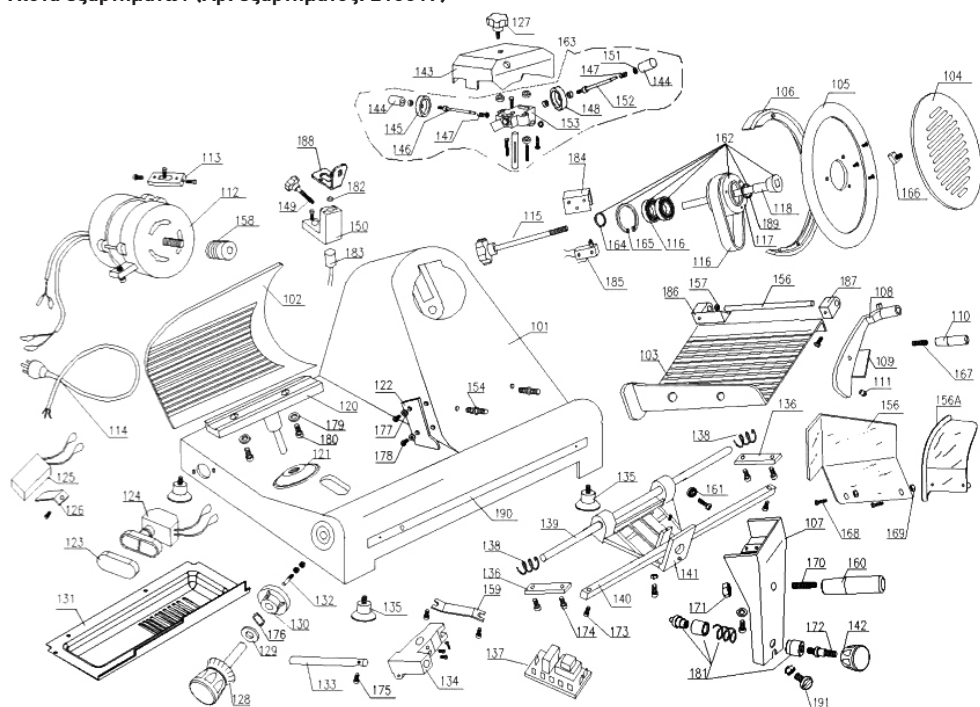
Αρ. εξαρτήματος	Όνομα εξαρτήματος	Ποσότητες	Αρ. εξαρτήματος	Όνομα εξαρτήματος	Ποσότητες
1	Περιβλήμα	1	18	Πείρος τροχού μίαντα	2
2	Ενεργός δονητής	1	19	Ιμάντας SV.330	2
3	Δίσκος τροφίμων	1	20	Πλευρικό κάλυμμα	1
4	Δίσκος προστασίας λεπίδας	1	21	Γραμμή ρεύματος	1
5	Λεπίδα	1	22	Πλευρικός άξονας	1
6	Δακτύλιος προστασίας λεπίδας	1	23	Κουμπί με κλίμακα	1
7	Βάση δίσκου	1	24	Φλάντζα ελατηρίου	1
8	Τρόφιμα και σταθερός βραχίονας	1	25	Έκκεντρο	1
9	Ρουλεμάν σταθερού βραχίονα	1	26	Έκκεντρο επαφής	1
10	Λαβή σταθερού βραχίονα	1	27	Ολισθητήρας	1
11	Πλαστικό	1	28	Μηρικήτα συρόμενου άξονα	2
12	Κινητήρας	1	29	Ελατήριο συρόμενου άξονα βραχίονα ρυμούλκησης	2
13	Μηρικήτα κινητήρα	1	30	Άξονας βραχίονα ρυμούλκησης	1
14	Πείρος σταθερού βραχίονα Ø12×185	1	31	Τεταρτημόριο άξονα	1
15	Προστατευτικά μπουλόνια λεπίδας	1	32	Βάση ρυμούλκησης	1
16	Ρουλεμάν 6202	2	33	M8×35 Εξάγωνη Βίδα	1
17	Τροχός μίαντα λεπίδας Ø66	1	34	Ρουλεμάν 607	1

GR



Αρ. εξαρτήματος	Όνομα εξαρτήματος	Ποσότητα	Αρ. εξαρτήματος	Όνομα εξαρτήματος	Ποσότητα
35	Κοιλίας καλύμματος βάσης ρυμούλκησης	1	63	Ø15 Φλάντζα ελατηρίου ρουλεμάν	1
36	Ρελέ	1	64	Τετράγωνο παξιμάδι προστατευτικού δίσκου λεπίδας	1
37	Πυκνωτής	1	65	Μπουλόνι λαβής σταθερού βραχίονα	1
38	Συγκράτηση πυκνωτή	1	66	Μπουλόνι διαφράγματος δακτύλου	2
39	Κάλυμμα κουμπιών	1	67	Παξιμάδι διαφράγματος δακτύλου	2
40	Κουμπί διακοπή	1	68	Κοιλίας βραχίονα	1
41	Πλακέτα	1	69	Ελαστικό παρέμβυσμα	1
42	Κρεατομηχανή	1	70	Μπουλόνι κινητήρα	1
43	Κάλυμμα τροχιστή	1	71	Ροδέλα κρεατομηχανής	2
44	Βάση υποσυγκροτήματος ακονιστή	2	72	Μπουλόνι αποξεστήρα κρέατος	2
45	Βάση συναρμολόγησης ακονιστή	1	73	Σφιγκτήρας στερέωσης πυκνωτή	1
46	Κουμπί ακονιστή	1	74	Κάλυμμα ρουλεμάν δίσκου Α	1
47	Τροχός λεπτής άλεσης Ø45	2	75	Βραχίονας πλαισίου κρέατος	1
48	Τροχός αργού αλέσματος Ø45	2	76	Κάλυμμα ρουλεμάν δίσκου Β	1
49	Πείρος τριβείου	1	77	Σταυροειδής βυθισμένη κεφαλή Μ6×12	2
50	Ελατήριο	1	78	Μπουλόνι μπρικέτας συρόμενου άξονα	4
51	Πείρος βραχίονα ακονιστή	1	79	Βίδα ασφάλισης τετραγωνικού άξονα	2
52	Κουμπί σύσφιξης ακονιστή	4	80	Μπουλόνι ρύθμισης ολίσθησης	1
53	Τριβέλι ενεργού δονητή	2	81	Μαγνήτης	1
54	Πόδι καουτσούκ	1	82	Διακοπτής μαγνήτη	1
55	Πείρος δακτύλιου προστασίας λεπίδας	2	83	Μονάδα αλουμινίου	1
56	Πλαίσιο απομόνωσης κρέατος	1	84	Μικροδιακόπτης	1
57	Βραχίονας συρόμενου άξονα	2	85	Κλειδαριά από ανοξείδωτο χάλυβα	1
58	Μικρός τροχός ιμάντα κινητήρα	1	86	Μονάδα περιορισμού	1
59	Οδηγός ολίσθησης	1	87	Μπάρα από ανοξείδωτο χάλυβα	1
60	Ρύθμιση τροχού ιμάντα	1	88	Ρυθμιστική βίδα βάσης δίσκου	1
61	Ρύθμιση ακονιστή	1	89	Τάπα λαδιού	1
62	Ø15 Φλάντζα ελατηρίου ρουλεμάν	1			

## Λίστα εξαρτημάτων (Αρ. εξαρτήματος: 210017)



GR

Αρ. εξαρτήματος	Όνομα εξαρτήματος	Ποσότητες	Αρ. εξαρτήματος	Όνομα εξαρτήματος	Ποσότητες
101	Περιβλήμα	1	118	Πείρος τροχού μάντα	1
102	Ενεργός δονητής	1	119	Ιμάντας SV.400	2
103	Δίσκος τροφίμων	1	120	Βάση υποστήριξης	1
104	Προστατευτικός δίσκος λεπίδας	1	121	Μανδύας καλωδίων	1
105	λεπίδα	1	122	Αποξεστήρας κρέατος	1
106	Δακτύλιος προστασίας λεπίδας	1	123	Κάλυμμα κουμπιών	1
107	Βάση δίσκου	1	124	Κουμπι διακόπτη	1
108	Σταθερός βραχίονας φαγητού	1	125	Πυκνωτής	1
109	Ρουλεμάν σταθερού βραχίονα	1	126	Συγκραπτής πυκνωτή	1
110	Λαβή	1	127	Βίδα προσανατολισμού	1
111	Πλαστικό	1	128	Κουμπι με κλίμακα	1
112	Κινητήρας	1	129	Φλάντζα ελατηρίου	1
113	Μπρικέτα κινητήρα	1	130	Έκκεντρο300	1
114	Γραμμή ρεύματος	1	131	Πλακέτα	1
115	Προστατευτικά μπουλόνια λεπίδας	1	132	Πείρος έκκεντρου επαφής	1
116	Ρουλεμάν 6204	2	133	Συρόμενος άξονας	1
117	Τροχός μάντα	1	134	Ολισθητήρας	1



Αρ. εξαρτήματος	Όνομα εξαρτήματος	Ποσό- τητα	Αρ. εξαρτήματος	Όνομα εξαρτήματος	Ποσό- τητα
135	Πόδι καουτσούκ	4	164	Ø 20 Φλάντζα ελατηρίου ρουλεμάν	1
136	Μπρικέτα συρόμενου άξονα	2	165	Ø 47 Φλάντζα ελατηρίου οπής	1
137	Ρελέ	1	166	Τετράγωνο παξιμάδι προστατευτικού δίσκου λεπίδας	1
138	Ελατήριο συρόμενου άξονα	2	167	Μπουλόνι λαβής σταθερού βραχίονα	1
139	Συρόμενος άξονας βραχίονα ρυμούλκησης	1	168	Μπουλόνι διαφράγματος δακτύλου	2
140	Τεταρτημόριο άξονα	1	169	Παξιμάδι διαφράγματος δακτύλου	2
141	Βάση ρυμούλκησης	1	170	Κοχλίας βραχίονα	1
142	Κουμπί βραχίονα ρυμούλκησης	1	171	Παξιμάδι βραχίονα	1
143	Κάλυμμα τροχιστή	1	172	Μπουλόνι βραχίονα	1
144	Κουμπί	2	173	Βίδα ασφάλισης τετραγωνικού άξονα	2
145	Τροχός λεπτής άλεσης Ø45	1	174	Μπουλόνι μπρικέτας συρόμενου άξονα	4
146	Πείρος τροχού καθαρισμού	2	175	Μπουλόνι συρόμενου άξονα	1
147	Ελατήριο τροχού καθαρισμού	2	176	Ø 12 Ελαστικό παρέμβυσμα	1
148	Τροχός αργού αλέσματος Ø45	2	177	Ροδέλα κρεατομηχανής	2
149	Κουμπί σύσφιξης ακονιστή	1	178	Μπουλόνι αποξεστήρα κρέατος	1
150	Βάση στήριξης εξωτερικού δακτυλίου	1	179	Ρουλεμάν υπομόχλιου	2
151	Ø 4.751 Τροχός	1	180	Μπουλόνι ρουλεμάν υπομόχλιου	2
152	Πείρος πέτρας τριβής	1	181	Κλειδαριά από ανοξείδωτο χάλυβα	1
153	Βάση ακονιστή υποσυγκροτήματος	1	182	Μαγνήτης	1
154	Πείρος προστατευτικού δακτυλίου λεπίδας	2	183	Διακόπτης μαγνήτη	1
155	Πείρος δίσκου τροφίμων	1	184	Μονάδα περιορισμού	1
156/156A	Πλαίσιο απομόνωσης κρέατος	1	185	Μικροδιακόπτης	1
157	Βραχίονας συρόμενου άξονα	1	186	Κάλυμμα ρουλεμάν δίσκου Α	1
158	Μικρός τροχός ιμάντα κινητήρα	1	187	Κάλυμμα ρουλεμάν δίσκου Β	1
159	Τροχός πλευμικής μετάδοσης	1	188	Ρουλεμάν υπομόχλιου	1
160	Λαβή βραχίονα ρυμούλκησης	1	189	Τάπα λαδιού	1
161	Συρόμενος άξονας 608	1	190	Μπάρα από ανοξείδωτο χάλυβα	1
162	Ρύθμιση τροχού ιμάντα	1	191	Ρυθμιστική βίδα βάσης δίσκου	1
163	Ρύθμιση ακονιστή	1			



## Τεχνικές προδιαγραφές

Αρ. προϊόντος	210031	210048	210000	210017	210086	970294
Τάση και συχνότητα λειτουργίας	220-240V~ / 50 Hz					
Ονομαστική ισχύς εισόδου	200W	280W	320W	420W	320W	280W
Διάμετρος λεπίδας	195 mm	220 mm	250 mm	300 mm	250 mm	220 mm
Κλάση προστασίας νερού	IP33					
Κατηγορία προστασίας	Κατηγορία I					
Επίπεδο θορύβου	< 70 dB (A)					
Διαστάσεις	400x400x (H)330 mm	440x420x (H)350 mm	485x420x (H)395 mm	600x480x (H)450 mm	485x420x (H)395 mm	440x420x (H)350 mm
Καθαρό Βάρος (περίπου)	13,5 kg	14 kg	16 kg	26 kg	16 kg	14 kg

**Σημείωση: Οι τεχνικές προδιαγραφές μπορούν να τροποποιηθούν χωρίς προηγούμενη ειδοποίηση.**

## Εγγύηση

Οποιοδήποτε ελάττωμα επηρεάζει τη λειτουργικότητα της συσκευής που γίνεται προφανές δύο χρόνια μετά την αγορά της, θα διορθώνεται με δωρεάν επισκευή ή αντικατάσταση, αρκεί η συσκευή να έχει χρησιμοποιηθεί και συντηρηθεί σύμφωνα με τις οδηγίες και να μην έχει γίνει κατάχρηση ή λανθασμένη χρήση της με οποιοδήποτε τρόπο. Δε θίγονται τα νόμιμα δικαιώματά σας. Εάν η συσκευή υποστηρίζεται

από εγγύηση, δηλώστε πού και πότε έχει αγοραστεί και συμπεριλάβετε την απόδειξη αγοράς (π.χ. απόδειξη λιανικής πώλησης).

Σύμφωνα με την πολιτική μας για τη συνεχή εξέλιξη των προϊόντων μας, διατηρούμε το δικαίωμα να αλλάξουμε το προϊόν, τη συσκευασία και τις προδιαγραφές τεκμηριωσής του χωρίς προειδοποίηση.

## Απόρριψη & Περιβάλλον

Η συσκευή, μετά το πέρας της διάρκειας ζωής της, δεν πρέπει να απορρίπτεται ως οικιακό απόρριμμα. Πρέπει να απορρίπτεται, με δική σας ευθύνη, σε καθορισμένο σημείο συλλογής. Η μη τήρηση αυτού ενδέχεται να τιμωρείται σύμφωνα με τους ισχύοντες κανονισμούς για τη διάθεση των απορριμμάτων. Η χωριστή συλλογή και ανακύκλωση αυτής της συσκευής κατά τη στιγμή της απόρριψης βοηθά στη διατήρηση των φυσικών πόρων και εξασφαλίζει την ανακύκλωσή της με τρόπο που προστατεύει την ανθρώπινη υγεία και το περιβάλλον.

Για περισσότερες πληροφορίες σχετικά με το πού μπορείτε να απορρίψετε τη συσκευή για ανακύκλωση, επικοινωνήστε με την τοπική εταιρεία συλλογής απορριμμάτων. Οι κατασκευαστές και οι εισαγωγείς δεν αναλαμβάνουν την ευθύνη ανακύκλωσης, επεξεργασίας και οικολογικής διάθεσης, είτε άμεσα είτε μέσω δημόσιου συστήματος.

ΣΕΡΒΙΣ ΕΛΛΑΔΟΣ:

Τηλ.: 213 0 998989 (10 γραμμές)

info@pks-hendi.com



Dragi korisnici,

Hvala što ste kupili ovaj HENDI uređaj. Pažljivo pročitajte ovaj priručnik, obraćajući posebnu pozornost na sigurnosne propise navedene u nastavku, prije prvog postavljanja i korištenja ovog uređaja.




## Sigurnosni propisi

- Ovaj je uređaj namijenjen isključivo za komercijalnu uporabu.
- Uređaj upotrebljavajte samo za predviđenu namjenu kako je opisano u ovom priručniku.
- Proizvođač nije odgovoran za bilo kakvu štetu uzrokovanu nepravilnim radom i nepravilnom uporabom.
- Uređaj i električni utikač držite podalje od vode i drugih tekućina. U slučaju da uređaj padne u vodu, odmah izvadite utikač iz utičnice. Ne koristite uređaj dok ga nije provjerio ovlašteni tehničar. Nepridržavanje ovih uputa uzrokovat će životno ugrožavajuće rizike.
- Nikada ne pokušavajte sami otvoriti kućište uređaja.
- Nemojte umetati predmete u kućište uređaja.
- Ne dirajte utikač mokrim ili vlažnim rukama.
- ⚡ **Opasnost od strujnog udara!** Ne pokušavajte sami popravljati uređaj, popravke smije obavljati samo kvalificirano osoblje.
- **Nikada ne koristite oštećeni uređaj!** Ako je oštećen, isključite uređaj iz utičnice i obratite se prodavaču.
- **Upozorenje!** Ne uranjajte električne dijelove uređaja u vodu ili druge tekućine.
- Nikada ne držite uređaj pod tekućom vodom.
- Redovito provjeravajte jesu li utikač i kabel oštećeni. Kada je oštećen, mora ga zamijeniti servisni agent ili slična kvalificirana osoba kako bi se izbjegla opasnost ili ozljeda.
- Pazite da kabel ne dođe u dodir s oštrim ili vrućim predmetima i držite ga podalje od otvorenog požara. Nikada nemojte povlačiti kabel za napajanje da biste ga iskopčali iz utičnice, nego uvijek povucite utikač.
- Pazite da kabel za napajanje i/ili produžni kabel ne uzrokuju opasnost od spoticanja.
- Nikada ne ostavljajte uređaj bez nadzora tijekom uporabe.
- **Upozorenje!** Sve dok je utikač u utičnici, uređaj je spojen na izvor napajanja.
- Isključite uređaj prije nego što ga iskopčate iz utičnice.
- Priključite utikač u lako dostupnu električnu utičnicu tako da se u hitnom slučaju uređaj može odmah isključiti iz utičnice.
- Nikada ne nosite uređaj za kabel.
- Ne koristite nikakve dodatne uređaje koji nisu isporučeni zajedno s uređajem.
- Uređaj priključite samo na električnu utičnicu s naponom i frekvencijom navedenim na naljepnici uređaja.
- Nikada ne koristite pribor koji nije preporučio proizvođač. Ako to ne učinite, to može predstavljati sigurnosni rizik za korisnika i može oštetiti uređaj. Upotrebljavajte samo originalne dijelove i pribor.
- Ovim uređajem ne smiju rukovati osobe sa smanjenim fizičkim, osjetilnim ili mentalnim sposobnostima ili osobe s nedostatkom iskustva i znanja.

- Ovaj uređaj ni pod kojim okolnostima ne smiju koristiti djeca.
- Držite uređaj i kabel za napajanje izvan dohvata djece.
- **UPOZORENJE:** UVIJEK isključite uređaj i iskopčajte ga iz utičnice prije čišćenja, održavanja ili skladištenja.

---

## Posebni sigurnosni propisi

-  **OPREZ!** Iskopčajte prije čišćenja, održavanja ili popravka!
-  **OPREZ!** Potrebno je rukovanje s dvije osobe!
-  **OPREZ!** Pročitajte priručnik s uputama prije rada, čišćenja ili održavanja!
- Hrana koju treba narezati mora se odmrznuti, raspakirati i osloboditi od kostiju prije nego što se može narezati uređajem. Nemojte koristiti uređaj za rezanje smrznute hrane, povrća ili u bilo koju drugu svrhu.
- Uređaj koristite samo na način opisan u priručniku.
- Svaka druga uporaba može dovesti do oštećenja uređaja ili tjelesnih ozljeda.
- Ovim uređajem treba rukovati obučeno osoblje.
- Uređaj ne postavljajte na grijaće predmete (gasolin, električni, ugljeni štednjak itd.) Držite uređaj podalje od vrućih površina i otvorenog plamena. Uređaj uvijek koristite na ravnoj, stabilnoj, čistoj, otpornoj na toplinu i suhoj površini.
- **Opasnost od ozljede!** Potrebno je oprez pri rukovanju oštricom, osobito pri uklanjanju oštrice radi čišćenja. Po potrebi nosite zaštitne rukavice (nije isporučeno).
- **Oprez!** Sigurno usmjerite kabel za napajanje ako je potrebno kako biste spriječili nenamjerno prevrtanje i pad.
- Ne upotrebljavajte uređaj prije nego što se pravilno sastavi s oštricom, štitnikom oštrica i držačem hrane.
- Uređaj nemojte upotrebljavati u blizini eksplozivnih ili zapaljivih materijala, kreditnih kartica, magnetskih diskova ili radiouređaja.
- Nikada nemojte zaobilaziti sigurnosne blokade na uređaju.
- **UPOZORENJE:** Držite sve ventilacijske otvore u uređaju podalje od prepreka.
- **UPOZORENJE:** UVIJEK isključite uređaj i iskopčajte ga iz električne mreže prije čišćenja, održavanja ili skladištenja.
- **UPOZORENJE:** Uvijek držite ruke, dugu kosu i odjeću podalje od pokretnih dijelova.
- Ostavite najmanje 20 cm razmaka oko uređaja radi ventilacije tijekom uporabe.
- **UPOZORENJE!** Budite oprezni prilikom rukovanja reznim diskovima. Po potrebi nosite zaštitne rukavice (nije isporučeno).



---

## Namjena

- Ovaj je uređaj namijenjen profesionalnoj uporabi.
- Uređaj je namijenjen samo za rezanje hrane, npr. mesa, sira, kruha itd. Svaka druga uporaba može dovesti do oštećenja uređaja ili tjelesnih ozljeda.
- Rukovanje uređajem u bilo koju drugu svrhu smatrat će se zlouporabom uređaja. Korisnik je isključivo odgovoran za nepropisnu uporabu uređaja.

---

## Postavljanje uzemljenja

Ovaj je uređaj klasificiran kao **klasa zaštite I** i mora biti spojen na zaštitno uzemljenje. Uzemljenje smanjuje rizik od strujnog udara pružanjem žice za izlaz električne struje. Ovaj uređaj opremljen je

kabelom za napajanje koji ima žicu za uzemljenje i uzemljeni utikač. Utikač mora biti ukopčan u utičnicu koja je pravilno ugrađena i uzemljena.

---

## Informacije o strijelcu

### Opće mjere opreza

- Slicerom smiju rukovati samo visokokvalificirane osobe koje su potpuno upoznate sa sigurnosnim mjerama opisanim u ovom priručniku.
- U slučaju rotacije osoblja, potrebno je unaprijed pružiti obuku.
- Iako je rezač opremljen sigurnosnim uređajima u opasnim točkama, preporučuje se da ne dodirujete oštricu i pokretne dijelove.
- Prije početka čišćenja i održavanja, iskopčajte utikač raspršivača iz napajanja.
- Pažljivo procijenite preostale rizike kada se uklone zaštitni uređaji radi čišćenja i održavanja.
- Čišćenje i održavanje zahtijevaju veliku koncentraciju.
- Redovita kontrola električnog kabela za napajanje apsolutno je nužna; istrošeni ili oštećeni kabel može korisnike izložiti velikoj opasnosti od strujnog udara.
- Ako rezač pokaže da je u kvaru, preporučuje se da ne koristite ili ne pokušavate popraviti uređaj; molimo nazovite „ERVICE CENTRE“.

- **Ne upotrebljavajte rezač za smrznute proizvode, meso i ribu s kostima i bilo kojim drugim proizvodima osim namirnica.**
- **Nemojte koristiti rezač bez gurača za meso kada je meso gotovo završeno.**
- **Nemojte se stavljati u opasan položaj, nož može prouzročiti ozljede.**

Proizvođač i/ili prodavatelj ne snose odgovornost u sljedećim slučajevima:

- ako je strugač neovlašteno dirao neovlašteno osoblje;
- ako su neki dijelovi zamijenjeni neoriginalnim rezervnim dijelovima;
- ako se upute sadržane u ovom priručniku ne slijede točno;
- ako rezač nije očišćen i nauljen odgovarajućim proizvodima.

---

## Sigurnosni sustavi ugrađeni u rezač

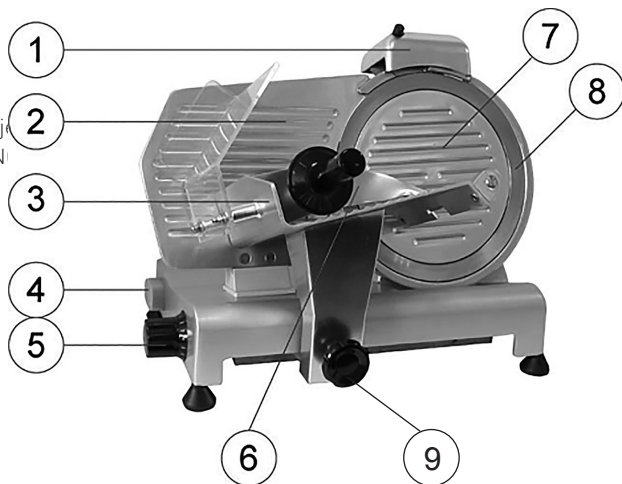
Slicer je opremljen s:

- mikrosklopka koja zaustavlja rezač u slučaju da se ukloni šipka za pričvršćivanje štitnika oštrice; mikrosklopka sprječava ponovno pokretanje rezača ako štitnik nije postavljen u položaj za isključivanje.
- relej u upravljačkoj kutiji koji zahtijeva ponovno pokretanje rezača kada dođe do prekida napajanja.

Iako su rezači opremljeni električnom i mehaničkom zaštitom (kada rezač radi i radi održavanja i čišćenja), još uvijek postoje **RESIDUALNI OPASNOSTI** koji se ne mogu u potpunosti eliminirati; ti rizici navedeni su u ovom priručniku u poglavlju **UPOZORENJE**. Oštrica i drugi dijelovi stroja mogu uzrokovati rezove i ozljede.

## Glavni dijelovi uređaja

- 1 Oštrica šiljila
- 2 Pločica za zaustavljanje
- 3 Prijevoz
- 4 Prekidač za uključivanje/isključivanje  
[Bijela (I): ON; Crna (O): ISKLJUČEN]
- 5 Gumb za debljinu slojeva
- 6 Stezaljka proizvoda
- 7 Štitnik oštrice
- 8 Oštrica
- 9 Blokada prijevoza
- 10 Vijak štitnika oštrice (nije prikazan)



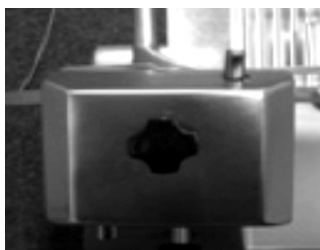
## Pripreme prije prve uporabe

- Provjerite kako biste bili sigurni da nema dijelova koji nedostaju. Ako neki dijelovi nedostaju, obratite se dobavljaču.
- Uklonite sav materijal za pakiranje.
- Čuvajte pakiranje ako namjeravate pohraniti svoj uređaj u budućnosti.
- Provjerite je li uređaj potpuno oštećen i oštećen u transportu. U slučaju nepotpune isporuke ili oštećenja, odmah se obratite dobavljaču. **NE-MOJTE** koristiti uređaj. (Vidi ==> Jamstvo).
- Očistite oštricu. Budite oprezni: oštrica je vrlo oštra. [Koristite rukavice ako je potrebno, nije uključeno]
- Održavajte otvoreni prostor od najmanje 10 cm oko uređaja kako biste omogućili odgovarajuću ventilaciju.
- Postavite uređaj tako da utikač uvijek bude dostupan.
- Ako uređaj za izoštravanje nije pričvršćen, učinite sljedeće:

HR



1. Pogled odozgo na uređaj



2. Pričvrstite modul za oštrenje tako da se oštrica ne pomiče između kotača.

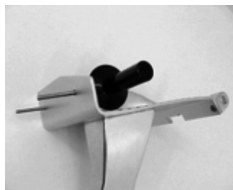


3. Pričvrstite uređaj za oštrenje na stroj zatezanjem držača. Provjerite je li uređaj za izoštravanje dobro pričvršćen prije uporabe stroja.

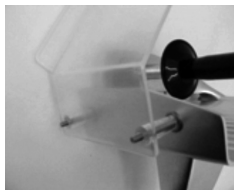
**NAPOMENA!** Uređaj za izoštravanje opremljen je sigurnosnim prekidačem. Ako uređaj za izoštravanje nije pravilno pričvršćen, nećete moći koristiti uređaj.



- Pričvrstite štitnik za ruke.



1. Postavite oba vijka u podvozje.



2. Pričvrstite štitnik za ruke.



3. Postavite dvije podloške preko bijelih vijaka.



4. Zavijte dvije kupolaste matice.

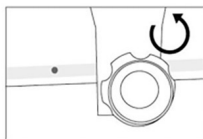
**NAPOMENA!** Savjetujemo vam da ne koristite uređaj ako štitnik za ruke nije pričvršćen prema uputama! Ovo su sigurnosne značajke koje će spriječiti moguće ozljede. Ako ne pričvrstite te značajke, postoji opasnost od ozljede.

### Upute za uporabu

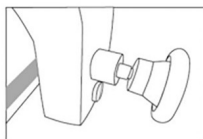
- Postavite uređaj tako da prekidač za uključivanje/isključivanje bude okrenut prema korisniku.
- Ako šiljilo oštrice nije instalirano, učinite sljedeće:
  - Postavite oštrilo oštrice u nosač tako da se oštrica ne proteže između zupčanika.
  - Zategnite sigurnosni vijak na šiljilo oštrice.
  - Napomena! Uređaj je opremljen sigurnosnim prekidačem i automatski će se isključiti ako se ukloni uređaj za izoštravanje]
- Gurnite utikač u zidnu utičnicu.
- Okrenite brojčanik graduiranom ljestvicom na željenu debljinu kriška.
- Uključite uređaj pritiskom na gumb "UPIS (I)" na prekidaču UKLJUČENO/ISKLJUČENO.
- Stavite proizvod za proizvodnju hrane na nosač i podesite stezaljku tako da čvrsto drži proizvod na mjestu. Provjerite je li proizvod postavljen uz stop ploču.
- Nakon što je proizvod izrezan, isključite uređaj pritiskom na gumb "BLACK (0)" na prekidaču UKLJUČENO/ISKLJUČENO.
- Okrenite kotačić za odabir debljine natrag na „0“.

### Kako zaključati rezač

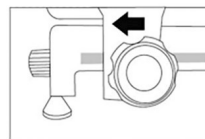
- ① Za okretanje gumba u smjeru suprotnom od kazaljke na satu



- ② Nastavite okretati gumb dok se ne olabavi u potpunosti

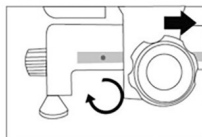


- ③ Pomaknite podvozje u pravilan položaj, rezač će se automatski zaključati



### Kako otključati rezač

- ① Za okretanje gumba u smjeru kazaljke na satu za otključavanje rezača. Regulator treba okrenuti ZAVRSNO kako biste zategnuli nosač



## Punjenje i rezanje hrane

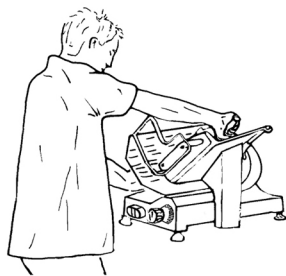
**UPOZORENJE: Proizvodi koje treba rezati moraju se staviti na pladanj za hranu samo kada je gumb za biranje postavljen u položaj "0". Obratite pozornost na oštricu i oštre rubove.**

Postupak je sljedeći:

- nakon što je proizvod stavljen na pladanj za hranu i postavljen uz ploču, zaustavite ga s krakom koji ima točke hvatanja;
- podesite gumb kotačića kako biste postigli željenu debljinu rezanja;
- kako bi se izbjegle nezgode, rukovatelj mora biti okrenut prema stroju i u ispravnom položaju: stavite prstenastu ruku na potiskivač mesa, a zatim lijevu pokraj odbojnika (**nemojte dodirivati oštricu**); tijelo mora biti okomito na radnu površinu (pogledajte sl. 1a). **UPOZORENJE: Obratite pažnju na maksimum: nijedan dio vašeg tijela ne smije doći u kontakt s**

**oštricom** (pogledajte sl. 1b) ;

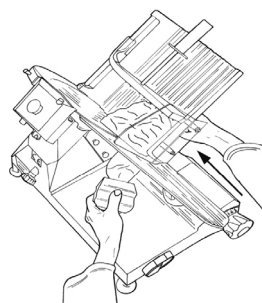
- pritisnite gumb za uključivanje „I“;
- glatko gurnite podvozje (posudu za hranu + potiskivač za meso + trup) prema oštrici bez pritiska na namirnice guračem za meso jer imaju vlastitu snagu gravitacije koja vrši pritisak na mjerač debljine. Oštrica će lako rezati hranu, a rezače će voditi odbojnik na ploču za prikupljanje (pogledajte SL. 2);
- nemojte rukovati rezačem bez hrane;
- nakon rezanja namirnica, postavite kotačić u položaj "0" i isključite stroj postavljanjem prekidača u položaj "0";
- ponovno izoštrite oštricu čim kriške pokažu grubu ili pohabanu površinu i rez postane težak (pogledajte Izoštavanje oštrice).



Slika 1a. Desni položaj



Slika 1b. Loš položaj



Slika 2. Rezanje mesa



## Izoštavanje oštrice

**UPOZORENJE:** Prije nego što nastavite s izoštravanjem oštrice, budite oprezni s **RESIDUALNIM OPASNOSTI** (pogledajte Električni sigurnosni sustav) koji se odnose na opasnost od ozljede ako se ne pridržavate uputa u nastavku.

Oštrica se mora povremeno izoštriti i čim postane tup; treba slijediti detaljne upute u nastavku:

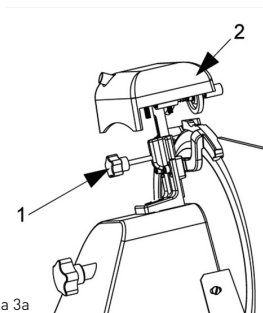
- precizno očistite oštricu alkoholom kako biste uklonili masnoću nakon što je utikač odspojen iz utičnice;
- odvijte gumb (1, slika 3a), podignite (a) šiljilo (2, slika 3a) do položaja zaključavanja i okrenite ga za 180°.

Zatim pustite da se pomakne do kraja tako da se oštrica nalazi između dva šiljila. Blokirate gumb ;

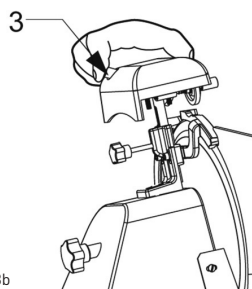
- uključite rezač pritiskom na gumb „I“ (ON);
- pritisnite mali gumb (3, slika 3b), pustite da se oštrica okreće uz šiljilo 30/40 sekundi kako biste dobili oštar razvrtač na rubu oštrice;
- istovremeno pritisnite gumbе na 3/4 sekunde (1 i 2, Slika 3c), a zatim ih ostavite istovremeno;
- preporučuje se čišćenje šiljila na kraju izoštravanja (pogledajte **Čišćenje šiljila**);
- nakon dovršetka izoštravanja, vratite krišku u izvornu postavku obrnutim postupkom.
- nakon oštrenja treba očistiti oštricu (pogledajte **Čišćenje štitnika oštrice i oštrice**)

**NAPOMENA:** Nemojte produžiti rad razvrtača dulje od 3/4 sekunde kako biste spriječili opasno uvijanje reznog ruba oštrice.

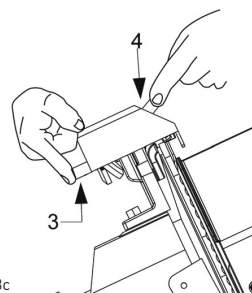
Oštricu treba zamijeniti kada se ne može dodatno izoštriti ili kada razmak između ruba oštrice i štitnika oštrice prelazi 6 mm.



Slika 3a



Sl. 3b



Sl. 3c



## Redovito čišćenje

### Opće značajke

- Čišćenje strugača mora se provoditi najmanje jednom dnevno ili češće, ako je potrebno.
- Čišćenje mora biti iznimno precizno za one dijelove rezača koji su izravno ili neizravno u kontaktu s hranom.
- Ključer se ne smije čistiti vodenim čistačem i visokotlačnim mlaznicama vode; umjesto toga koristite vodu i neutralni deterdžent. **Nemojte koristiti druge deterdžente.** Alati, četke i drugi uređaji koji bi mogli oštetiti površinu rezača ne smiju se koristiti.

Prije obavljanja bilo kojeg postupka čišćenja potrebno je:

- odspojite utikač iz utičnice kako biste potpuno izolirali rezač od ostatka električnog kruga;
- postavite kotačić za podešavanje ploče u položaj "0".

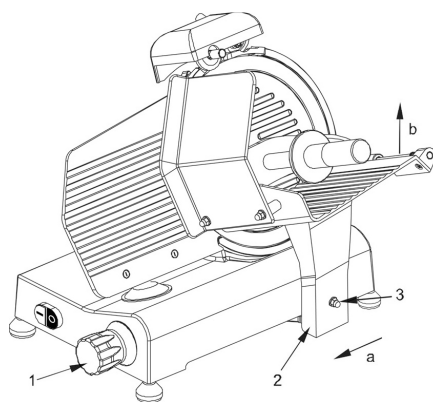
**UPOZORENJE: Obratite pozornost na preostale rizike zbog rezanja i/ili oštrih rubova. Po potrebi nosite zaštitne rukavice (nije isporučeno).**

### Postupak čišćenja raspršivača

#### Čišćenje posude za hranu

Nosač (posudica za hranu + ruka + trup) lako se može ukloniti:

- postavite kotačić u položaj "0" (1) ;
- postavite podvozje (2) na kraj njegovog pogona (a) blizu kontrola ;
- odvijte vijak (3), gurnite podvozje prema gore (b);
- nakon što ste uklonili podvozje, možete precizno očistiti posudu za hranu vrućom vodom i neutralnim deterdžentom (pH 7).



Uklanjanje nosača

#### Čišćenje štitnika oštrice i oštrice

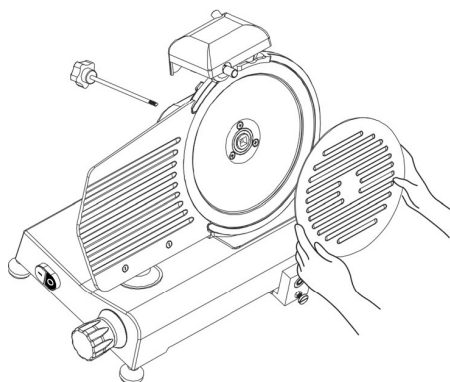
- Skinite poklopac štitnika oštrice odvrtnjem klina na stražnjoj strani uređaja (pogledajte sl. 4).

**UPOZORENJE: Čišćenje oštrice mora se obaviti mokrom krpom s metalnim rukavicama.**

Za čišćenje suprotne površine oštrice potrebno je ukloniti oštricu (pogledajte sl. 5).

Oštricu treba ukloniti na sljedeći način:

- rastavite štitnik oštrice (pogledajte sl. 5);
- uklonite šiljilo (a) i okrenite oštricu debljine pomoću kotačića kako bi se alat za uklanjanje oštrice Plexiglas (b) (nije isporučeno) zalijepio za oštricu ;
- otpustite 3 ili 4 vijka (f) (prema modelu) koji pričvršćuju oštricu;

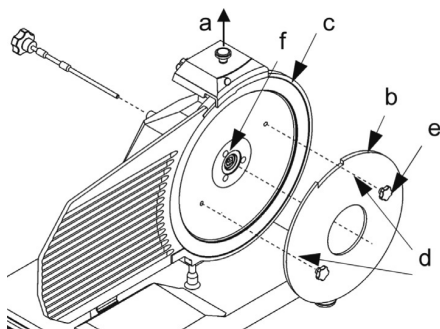


Sl. 4 – Uklanjanje štitnika oštrice



- nagnite alat za uklanjanje oštrice Plexiglas na oštricu kako biste dobili spojnicu otvora oštrice s dva vijka (e), okrećite oštricu dok ne dosegne ispravan položaj;
- lagano zategnite vijak (e).

**UPOZORENJE: Štitnik oštrica mora se čistiti vrućom vodom i neutralnim deterdžentom.**



Sl. 5 – Montaža alata za uklanjanje oštrice Plexiglas (b)

### Čišćenje šiljila

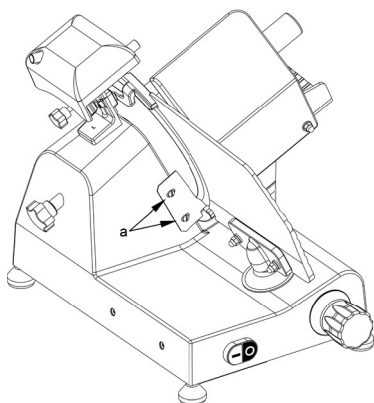
Postupak čišćenja šiljila provodi se trljanjem mljevenih madeža četkom. Štapiće se moraju postaviti

u sigurnosni položaj, što znači da se moraju okrenuti prema strani suprotno od oštrice.

### Čišćenje odbojnika

Da biste uklonili odbojnik, odvijte dva vijka (a) koji blokiraju odbojnik (pogledajte sl. 6).

Očistite odbojnik vrućom vodom i neutralnim deterdžentom.



Sl. 6 – Prikaz odbojnika

## Održavanje

### Opće značajke

Prije početka održavanja potrebno je:

- Isključite utikač kabela za napajanje iz utičnice kako biste potpuno izolirali rezač od električnog kruga.

- Postavite kotačić za podešavanje debljine pločice u položaj „0“.

### Remen

Remen se ne smije podešavati. Općenito, mora se zamijeniti nakon 3 ili 4 godine; u tom slučaju molimo nazovite ovlaštenu „ERVIC CENTER“.

### Kosina

Noga se može pogoršati i izgubiti elastičnost, čime se smanjuje stabilnost strugača. U tom slučaju treba ih zamijeniti. Nazovite svoj ovlaštenu „USLUGA ČENTER“ kako biste zamijenili stopala.

## Kabel za napajanje

Povremeno provjerite ima li na kabelu za napajanje bilo kakvih simptoma istrošenosti i, ako je to slučaj, nazovite „ERVICE CENTER“ kako biste ga zamijenili.

## Oštrica

Provjerite da oštrica ne gubi više od 10 mm svog izvornog promjera. Da biste ga zamijenili, nazovite „USLUGA ČENTER“.

## Oštrešivač - mljevenje madeža

Provjerite da li brušenje madeža zadržava svoje abrazivno svojstvo tijekom postupaka oštrenja. Nazovite „ERVICE CENTRE“ ako je potrebno zamijeniti brušenje madeža kako bi se spriječilo oštećenje oštrice.

## Podmazivanje kliznih vodilica

S vremena na vrijeme, ulje padne na okruglu kliznu vodilicu duž koje se podvozje kreće naprijed-natrag. Ova se radnja može izvesti kroz otvor (OIL) pored gumba kotačića.

## Oznaka na ploči s tipkama

Ako su naljepnice na ploči s tipkama oštećene, nazovite „ERVICE CENTER“ radi zamjene.

## Odlaganje stroja

### Stavljanje stroja izvan pogona

Ako iz nekog razloga postoji potreba za isključivanjem stroja iz upotrebe, uvjerite se da ga nitko ne

može koristiti: odspojite ga iz električne mreže i uklonite sve električne priključke.

## Skladištenje

- Prije skladištenja uvijek provjerite je li uređaj već odspojen iz električne utičnice i je li se potpuno ohladio.

- Uređaj čuvajte na hladnom, čistom i suhom mjestu.

## Rješavanje problema

Ako uređaj ne radi ispravno, molimo provjerite rješenje u tablici u nastavku. Ako i dalje ne možete riješiti problem, obratite se dobavljaču/pružatelju usluga.

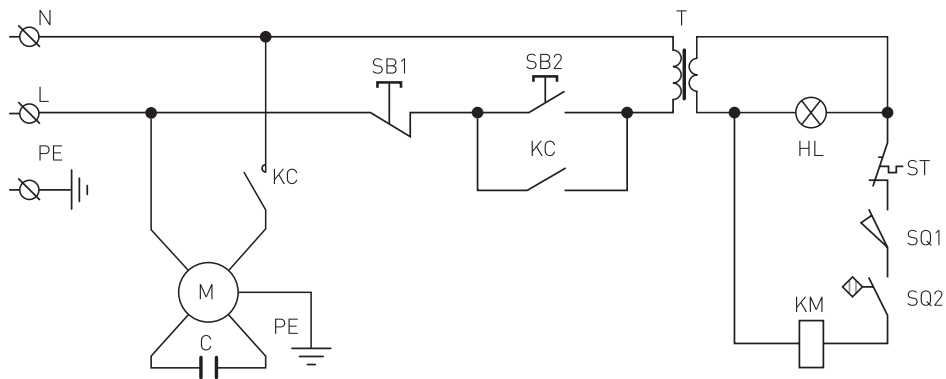
Problem	Mogući uzrok	Rješenje
Uređaj se ne raspršuje ravnomjerno	Tupi nož	Oštrica
	Prljavi uređaj	Očistite uređaj
Uređaj prestaje s rezanjem	Pregrijani motor	Pustite da se stroj hladi duže vrijeme. Sigurnosni termostat motora automatski će se resetirati.
Nosач ne klizi	Prljava klizna šipka	Očistite kliznu šipku i podmažite vazelinom
	Neke namirnice drže se na noževima.	Isključite uređaj i iskopčajte ga iz utičnice. Neka dođe do potpunog zaustavljanja. Uklonite sve blokade. Obrišite oštricu vlažnom krpom.
Oštrica se zaustavlja kada se proizvod reže	v-kočni pojas istrošen ili prljav	Kontaktirajte dobavljača.

**Ako niste sigurni, uvijek se obratite dobavljaču!**



## Dijagram kruga za 210000, 210017, 210031, 210048, 210086, 970294

Ulaz izmjeničnog napona: AC220-240V 50Hz



M : Motor

T : Transformator

C : Kapacitor

PE : Zaštitno uzemljenje (kruženje)

L : Živjeti

N : neutralno

SB1, SB2 : Prekidač

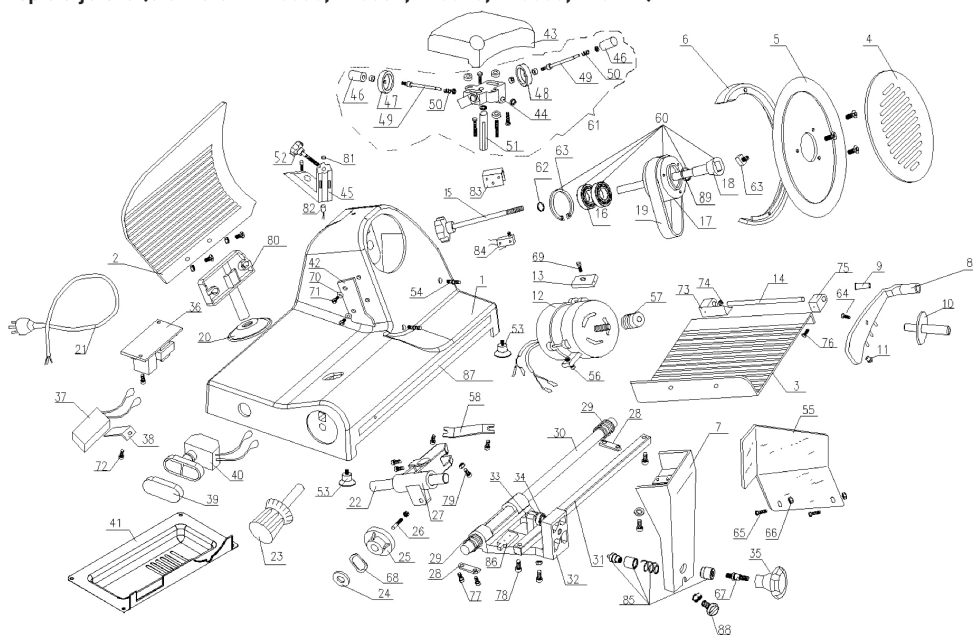
KC : Relej

HL : Svjetlo indikatora

ST : Toplinski prekid

SQ1, SQ2 : mikro sklopka

## Popis dijelova (stavka br.: 210000, 210031, 210048, 210086, 970294)

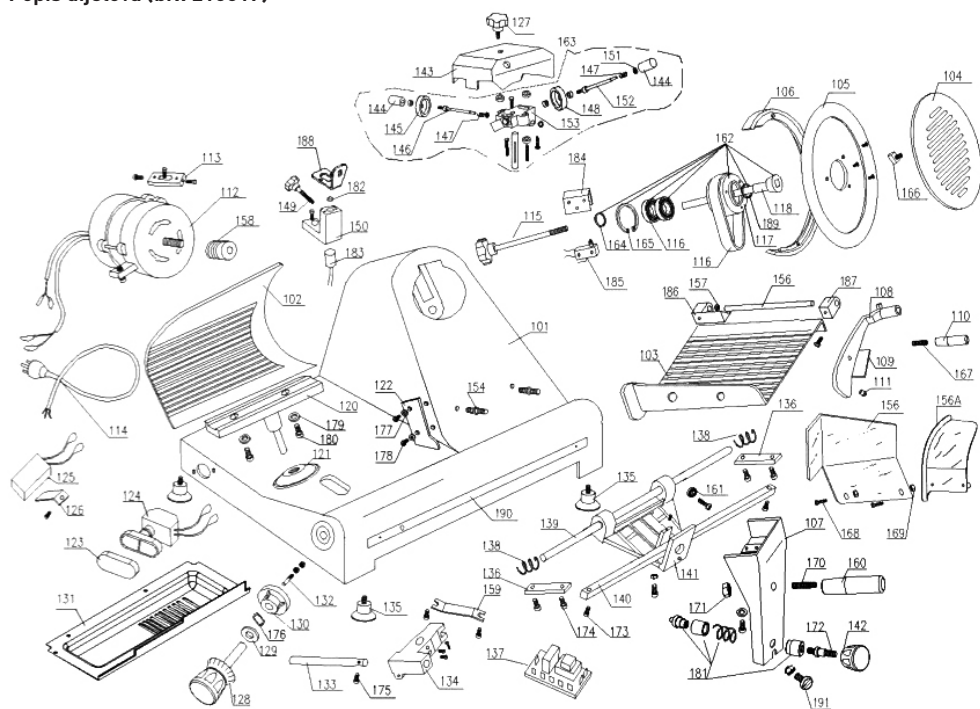


Dio br.	Naziv dijela	Količina	Dio br.	Naziv dijela	Količina
1	Zatvoreni	1	20	Klizač za malč	1
2	Aktivna klapna ploča	1	21	Kabel za napajanje	1
3	Spašavanje hrane	1	22	Klizana osovina	1
4	Disk štitnika oštrice	1	23	Gumb s vagom	1
5	Oštrica	1	24	Opružna brtva	1
6	Prsten za zaštitu oštrica	1	25	Cam	1
7	Nosač plitice	1	26	Cam osculant osoblje	1
8	Hrana i fiksno oružje	1	27	Klizač	1
9	Vodilica s fiksnim krakom	1	28	Klizanje klizne osovine	2
10	Ručka s fiksnim krakom	1	29	Opruga osovine nosača za vuču	2
11	Plastična granula	1	30	osovina vučnog nosača	1
12	Motor	1	31	Četvrta os	1
13	Prekršavanje motora	1	32	Nosač za vuču	1
14	Zatika s fiksnim krakom Ø 12×185	1	33	M8×35Heksagonalni vijak	1
15	Vijci štitnika oštrice	1	34	Kuglični ležaj 607	1
16	Kuglični ležaj 6202	2	35	Gumb poklopca nosača za vuču	1
17	Kotač sigurnosnog remena Ø 66	1	36	Relej	1
18	Zatika kotača remena	1	37	Kapacitor	1
19	RemenSV.330	2	38	Držač kondenzatora	1



Dio br.	Naziv dijela	Količina	Dio br.	Naziv dijela	Količina
39	Gumb za malčiranje	1	65	Vijak ručke s fiksnim krakom	1
40	Prekidač gumba	1	66	Vijak za prste	2
41	Majčina ploča	1	67	Matica odbojnika za prste	2
42	Mesacraiper	1	68	Vijak gumba nosača	1
43	Oštreni mulch	1	69	Neiskreni proljetni plinovod	1
44	Baza za oštrije podsklopa	1	70	Vijak s udarom motora	1
45	Baza oštrice sastavljenog	1	71	Podlošci za struganje mesa	2
46	Gumb šiljila	2	72	Vijak strugača mesa	2
47	Kotač za fino mljevenje Ø 45	1	73	Vijak stezaljke za fiksiranje kondenzatora	1
48	Sirovi kotač za mljevenje Ø 45	1	74	Poklopac ležaja plitice A	1
49	Zatika od trljanja kamena	2	75	Nosač ploče za meso	1
50	Priljeće	2	76	Poklopac ležaja plitice B	1
51	Zatika nosača šiljila	1	77	Križna udubljena glava za pult M6×12	2
52	Gumb za zatezanje oštrice	1	78	Vijak za spajanje klizne osovine	4
53	Aktivni mandril za klapnu ploču	1	79	Četvrtasti vijak za zaključavanje osi	2
54	Gumena podnožje	4	80	Vijak za podešavanje klizača	1
55	Zatika zaštitnog prstena oštrice	2	81	Magnet	1
56	Ploča za blokiranje mesa	1	82	Sklopka magneta	1
57	Nosač klizne osovine	2	83	Aluminijski blok	1
58	Mali remenski kotač motora	1	84	Microswitch	1
59	Klizni upravljački sklop	1	85	Brava od nehrđajućeg čelika	1
60	Podešavanje remena na kotaču	1	86	Ograničeni blok	1
61	Postavka oštrine	1	87	Šipka od nehrđajućeg čelika	1
62	Ø 15 Opružna brtva za ležaj	1	88	Postavite vijak za nosač plitice	1
63	Ø 15 Opružna brtva za ležaj	1	89	brtvila za ulje	1
64	Matica s pravokutnom glavom štitnika oštrice	1			

## Popis dijelova (br.: 210017)



HR

Dio br.	Naziv dijela	Količina	Dio br.	Naziv dijela	Količina
101	Zatvoreni	1	119	Remen SV.400	2
102	Aktivna klapna ploča	1	120	Potporna baza	1
103	Spašavanje hrane	1	121	Kabelska jakna	1
104	Disk oštrice za zaštitu	1	122	Mearscraper	1
105	oštrica	1	123	Gumb za malčiranje	1
106	Prsten za zaštitu oštrice	1	124	Prekidač gumba	1
107	Nosač plitice	1	125	Kapacitor	1
108	Hrana s fiksnim krakom	1	126	Držač kondenzatora	1
109	Vodilica s fiksnim krakom	1	127	Vijak usmjerenog osoblja	1
110	Ručka	1	128	Gumb s vagom	1
111	Plastična granula	1	129	Opružna brtva	1
112	Motor	1	130	Cam 300	1
113	Prekršavanje motora	1	131	Majčina ploča	1
114	Kabel za napajanje	1	132	Cam osculant pin	1
115	Vijci štitnika oštrice	1	133	Klizna osovina	1
116	Kuglični ležaj6204	2	134	Klizač	1
117	Remeni kotač	1	135	Gumena podnožje	4
118	Zatika kotača remena	1	136	Klizni spoj osovine	2



Dio br.	Naziv dijela	Količina	Dio br.	Naziv dijela	Količina
137	Releј	1	165	Ø 47 Opružna brtva za otvor	1
138	Proljeće klizne osovine	2	166	Matica s pravokutnom glavom štiti- nika oštrice	1
139	Klizna osovina nosača za vuču	1	167	Vijak ručke s fiksnim krakom	1
140	Četvrta os	1	168	Vijak za prste	2
141	Nosač za vuču	1	169	Matica odbojnika za prste	2
142	Gumb nosača za vuču	1	170	Vijak gumba nosača	1
143	Oštreni mulch	1	171	Matica gumba nosača	1
144	Gumb	2	172	Donji vijak nosača	1
145	Kotač za fino mljevenje Ø 45	1	173	Četvrtasti vijak za zaključavanje osi	2
146	Zatika kotača za čišćenje razvr- tača	2	174	Vijak za spajanje klizne osovine	4
147	Opruga kotača za čišćenje raz- vrtača	2	175	Vijak klizne osovine	1
148	sirovi kotač za mljevenje Ø 45	2	176	Ø 12 Pod brtvi opruge	1
149	Gumb za zatezanje oštrice	1	177	Podlošci za struganje mesa	2
150	Potporna baza vanjskog prstena	1	178	Vijak strugača mesa	1
151	kotač Ø 4,751	1	179	Podlošci s Fulcrum ležajem	2
152	Zatika od trljanja kamena	1	180	Vijak ležaja Fulcrum	2
153	Baza za oštrije podsklopa	1	181	Brava od nehrđajućeg čelika	1
154	klin za vođenje oštrice	2	182	Magnet	1
155	Zatika posude za hranu	1	183	Sklopka magneta	1
156/156A	Ploča za blokiranje mesa	1	184	Ograničeni blok	1
157	Nosač klizne osovine	1	185	Microswitch	1
158	Mali remenski kotač motora	1	186	Poklopac ležaja plitice A	1
159	Kotač za prijenos stakalca	1	187	Poklopac ležaja plitice B	1
160	Ručka nosača za vuču	1	188	Podlošci s Fulcrum ležajem	1
161	Klizna osovina 608	1	189	brtvila za ulje	1
162	Podešavanje remena na kotaču	1	190	Šipka od nehrđajućeg čelika	1
163	Postavka oštrine	1	191	Postavite vijak za nosač plitice	1
164	Ø 20 Opružna brtva za ležaj	1			



## Tehničke specifikacije

Šifra artikla	210031	210048	210000	210017	210086	970294
Radni napon i frekvencija	220-240V ~ / 50 Hz					
Nazivna ulazna snaga	200W	280W	320W	420W	320W	280W
Promjer oštrice	195 mm	220 mm	250 mm	300 mm	250 mm	220 mm
Vodootporna klasa zaštite	IP33					
Protecion klasa	Klasa I					
Razina buke	< 70 dB (A)					
Dimenzije	400 x 400 x (V)330 mm	440 x 420 x (V)350 mm	485 x 420 x (V)395 mm	600 x 480 x (V)450 mm	485 x 420 x (V)395 mm	440 x 420 x (V)350 mm
Neto težina (približno)	13,5 kg	14 kg	16 kg	26 kg	16 kg	14 kg

**Napomena: Tehničke specifikacije podložne su promjenama bez prethodne obavijesti.**

## Jamstvo

Bilo kakav kvar koji utječe na funkcionalnost uređaja, a koji postane očit u roku od godinu dana od kupnje, popravit će se besplatnim popravcima ili zamjenom pod uvjetom da je uređaj korišten i održavan u skladu s uputama te da nije zloupotrijebljen ili zlopotrijebljen ni na koji način. To ne utječe na vaša zakonska prava. Ako se uređaj traži pod

jamstvom, navedite gdje i kada je kupljen i navedite dokaz o kupnji (npr. račun).

U skladu s našom politikom kontinuiranog razvoja proizvoda, zadržavamo pravo izmjene proizvoda, pakiranja i specifikacija dokumentacije bez prethodne najave.


## Odbacivanje i okoliš

Prilikom stavljanja uređaja u otpad, proizvod se ne smije odlagati s drugim kućnim otpadom. Umjesto toga, vaša je odgovornost odložiti opremu za otpad predajom na određeno mjesto za prikupljanje. Nepoštivanje ovog pravila može se kazniti u skladu s važećim propisima o odlaganju otpada. Odvojeno prikupljanje i recikliranje otpadne opreme u trenutku odlaganja pomoći će u očuvanju prirodnih resursa i osigurati da se reciklira na način koji štiti zdravlje ljudi i okoliš. Za više informacija o tome gdje možete odložiti otpad radi recikliranja, obratite se lokalnoj tvrtki za prikupljanje otpada. Proizvođači i uvoznici ne preuzimaju odgovornost za recikliranje, obradu i ekološko odlaganje, bilo izravno ili putem javnog sustava.




Ďakujeme, že ste si zakúpili tento spotrebič HENDI. Pred montážou a prvým použitím tohto spotrebiča si pozorne prečítajte tento návod, pričom venujte osobitnú pozornosť bezpečnostným predpisom uvedeným nižšie.

## Bezpečnostné predpisy

- Tento spotrebič je určený len na komerčné použitie.
- Spotrebič používajte iba na určený účel, na ktorý bol navrhnutý, ako je opísané v tomto návode.
- Výrobca nezodpovedá za žiadne škody spôsobené nesprávnou prevádzkou a nesprávnym použitím.
- Spotrebič a elektrickú zástrčku uchovávajte mimo dosahu vody a iných tekutín. V prípade, že spotrebič spadne do vody, okamžite vyťahnite zástrčku zo zásuvky. Spotrebič nepoužívajte, kým ho neskontroluje certifikovaný technik. Nedodržanie týchto pokynov bude mať za následok život ohrozujúce riziká.
- Nikdy sa nepokúšajte otvoriť kryt spotrebiča sami.
- Do krytu spotrebiča nekladajte žiadne predmety.
- Nedotýkajte sa zástrčky mokrými alebo vlhkými rukami.
-  **Nebezpečenstvo zásahu elektrickým prúdom!** Nepokúšajte sa spotrebič opravovať sami, opravy smie vykonávať iba kvalifikovaný personál.
- **Nikdy nepoužívajte poškodený spotrebič!** Ak je spotrebič poškodený, odpojte ho od zásuvky a obráťte sa na predajcu.
- **Varovanie!** Neponárajte elektrické časti spotrebiča do vody ani iných tekutín.
- Spotrebič nikdy nedržte pod tečúcou vodou.
- Pravidelne kontrolujte, či zástrčka a kábel nie sú poškodené. Ak je poškodený, musí ho vymeniť servisný technik alebo podobne kvalifikovaná osoba, aby sa predišlo nebezpečenstvu alebo zraneniu.
- Uistite sa, že kábel neprichádza do kontaktu s ostrými alebo horúcimi predmetmi a nepribližujte ho k otvorenému ohňu. Nikdy neťahajte za napájací kábel, aby ste ho odpojili od zásuvky, vždy ťahajte za zástrčku.
- Uistite sa, že napájací kábel a/alebo predlžovací kábel nespôsobujú nebezpečenstvo zakopnutia.
- Počas používania nenechávajte spotrebič bez dozoru.
- **Varovanie!** Kým je zástrčka v zásuvke, spotrebič je pripojený k zdroju napájania.
- Pred odpojením spotrebiča od zásuvky ho vypnite.
- Pripojte zástrčku do ľahko prístupnej elektrickej zásuvky, aby sa v prípade núdze spotrebič mohol okamžite odpojiť od elektrickej siete.
- Spotrebič nikdy neprenášajte za kábel.
- Nepoužívajte žiadne ďalšie zariadenia, ktoré sa nedodávajú spolu so spotrebičom.
- Spotrebič pripájajte k elektrickej zásuvke iba s napätím a frekvenciou uvedenou na štítku spotrebiča.

- Nikdy nepoužívajte iné príslušenstvo, ako je odporúčané výrobcom. V opačnom prípade by mohlo dôjsť k bezpečnostnému riziku pre používateľa a k poškodeniu spotrebiča. Používajte iba originálne diely a príslušenstvo.
- Tento spotrebič by nemali obsluhovať osoby so zníženými fyzickými, zmyslovými alebo duševnými schopnosťami, ani osoby s nedostatočnými skúsenosťami a vedomosťami.
- Tento spotrebič by za žiadnych okolností nemali používať deti.
- Spotrebič a jeho napájací kábel uchovávajte mimo dosahu detí.
- **VAROVANIE:** Pred čistením, údržbou alebo uskladnením spotrebič VŽDY vypnite a odpojte od elektrickej zásuvky.

## Osobitné bezpečnostné predpisy

-  **UPOZORNENIE!** Pred čistením, údržbou alebo opravou ho odpojte!
-  **UPOZORNENIE!** Vyžaduje sa manipulácia s dvomi osobami!
-  **UPOZORNENIE!** Pred prevádzkou, čistením alebo údržbou si prečítajte návod na použitie!
- Jedlo, ktoré sa má nakrájať, sa musí rozmraziť, rozbaľiť a očistiť od kostí predtým, ako sa bude dať nakrájať pomocou spotrebiča. Spotrebič nepoužívajte na krájanie mrazených potravín, zeleniny ani na žiadne iné účely.
- Spotrebič používajte iba tak, ako je opísané v príručke.
- Akékoľvek iné použitie môže viesť k poškodeniu spotrebiča alebo zraneniu osôb.
- Tento spotrebič by mal obsluhovať vyškolený personál.
- Spotrebič neumiestňujte na vykurovací predmet (benzín, elektrina, sporák s dreveným uhlím atď.) Spotrebič chráňte pred horúcimi povrchmi a otvoreným ohňom. Spotrebič vždy prevádzkujte na rovnom, stabilnom, čistom, teplovzdornom a suchom povrchu.
- **Nebezpečenstvo poranenia!** Pri manipulácii s čepeľou je potrebná opatrnosť, najmä pri vyberaní čepele na čistenie. V prípade potreby noste ochranné rukavice (nie sú súčasťou balenia).
- **Pozor!** V prípade potreby bezpečne vedte napájací kábel, aby ste zabránili neúmyselnému prevrhnutiu a pádu.
- Spotrebič nepoužívajte, kým nie je správne zmontovaný s čepeľou, chráničom čepele a držiakom potravín.
- Spotrebič nepoužívajte v blízkosti výbušných alebo horľavých materiálov, kreditných kariet, magnetických diskov alebo rádii.
- Nikdy neobchádzajte žiadne bezpečnostné poistky na spotrebiči.
- **VAROVANIE:** Všetky vetracie otvory v spotrebiči udržiavajte mimo prekážok.
- **VAROVANIE:** Pred čistením, údržbou alebo uskladnením spotrebič VŽDY VYPNITE a odpojte od elektrickej siete.
- **VAROVANIE:** Ruky, dlhé vlasy a oblečenie VŽDY držte mimo pohybujúcich sa častí.
- Počas používania nechajte okolo spotrebiča rozostup najmenej 20 cm na účely vetrania.



- **VAROVANIE!** Pri manipulácii s rezacími diskami buďte veľmi opatrní. V prípade potreby noste ochranné rukavice (nie sú súčasťou balenia).

### Určené použitie

- Tento spotrebič je určený na profesionálne použitie.
- Spotrebič je určený len na krájanie potravín, napr. mäsa, syra, chleba atď. Akékoľvek iné použitie môže viesť k poškodeniu spotrebiča alebo zrane-

niu osôb.

- Prevádzka spotrebiča na akýkoľvek iný účel sa považuje za nesprávne použitie zariadenia. Používateľ nesie výhradnú zodpovednosť za nesprávne používanie zariadenia.

### Uzemnenie

Tento spotrebič je klasifikovaný ako **ochranná trieda I** a musí byť pripojený k ochrannému uzemneniu. Uzemnenie znižuje riziko zásahu elektrickým prúdom zabezpečením únikového drôtu pre elek-

trický prúd. Tento spotrebič je vybavený napájacím káblom, ktorý má uzemňovací vodič a uzemnenú zástrčku. Zástrčka musí byť zapojená do zásuvky, ktorá je správne nainštalovaná a uzemnená.

### Informácie o krájači

#### Všeobecné bezpečnostné opatrenia

- Nakrájač smú používať iba vysoko kvalifikovaní ľudia, ktorí sú plne oboznámení s bezpečnostnými opatreniami opísanými v tejto príručke.
- V prípade rotácie personálu je potrebné školenie poskytnúť vopred.
- Hoci je krájač v nebezpečných miestach vybavený bezpečnostnými zariadeniami, odporúča sa, aby ste sa nedotýkali čepele a pohyblivých komponentov.
- Pred začatím čistenia a údržby odpojte zástrčku krájača od napájania.
- Po odstránení ochranných pomôcok na účely čistenia a údržby starostlivo vyhodnoťte zvyškové riziká.
- Čistenie a údržba si vyžadujú skvelú koncentráciu.
- Pravidelná kontrola elektrického napájacieho kábla je absolútne nevyhnutná. Opatrebovaný alebo poškodený kábel môže vystaviť používateľov veľkému riziku zásahu elektrickým prúdom.
- Ak krájač vykazuje poruchy, odporúča sa zariadenie nepoužívať ani sa nepokúšajte opravovať. Kontaktujte servisné stredisko.

- **Nakrájač nepoužívajte na mrazené výrobky, mäso a ryby s kostami ani iné výrobky okrem potravín.**
- **Keď je mäso takmer hotové, krájač nepoužívajte bez zatláčača mäsa.**
- **Neumiestňujte sa do nebezpečnej polohy, čepeľ môže spôsobiť zranenia.**

Výrobca a/alebo predajca nenesie zodpovednosť v nasledujúcich prípadoch:

- ak neautorizovaný personál manipuloval s krájačom;
- ak niektoré diely boli nahradené neoriginálnymi náhradnými dielmi;
- ak sa pokyny uvedené v tejto príručke nedodržia presne,
- ak krájač nie je vyčistený a naolejovaný správnymi produktmi.

### Bezpečnostné systémy nainštalované v krájači

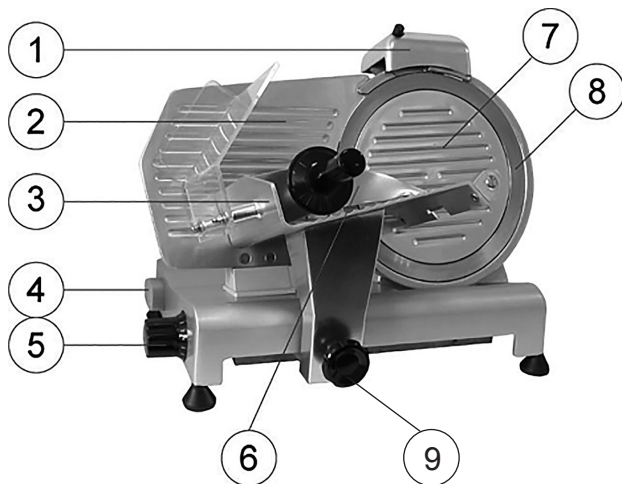
krájač je vybavený:

- mikrospínač, ktorý zastaví krájač v prípade, že sa odstráni spojovacia tyč pre chránič čepele; mikrospínač zabráni reštartovaniu krájača, ak chránič nebol nastavený do polohy vypnutia.
- relé v ovládacej skrinke, ktoré vyžaduje reštartovanie krájača, keď dôjde k výpadku napájania.

Hoci krájače sú vybavené elektrickou a mechanickou ochranou (keď je krájač v prevádzke a na účely údržby a čistenia), stále existujú **REZIDUÁLNE RIZIKÁ**, ktoré nie je možné úplne odstrániť. Tieto riziká sú uvedené v tejto príručke v časti **VAROVANIE**. Čepeľ a iné časti stroja môžu spôsobiť porezanie a zranenia.

## Hlavné časti spotrebiča

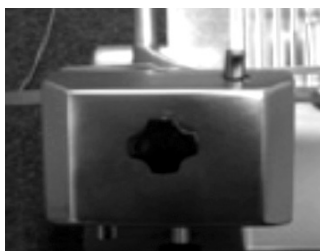
1. Ostrič čepele
2. Zastavovacia doska
3. Nosič
4. Vypínač  
[Biela (I): ZAP., čierna (O):  
VYPNUTÉ]
5. Volič hrúbky rezu
6. Svorka produktu
7. Chránič čepele
8. Čepeľ
9. Zámok nosiča
10. Skrutka chrániča čepele  
(nie je zobrazená)



## Príprava pred prvým použitím

- Skontrolujte, či nechýbajú žiadne časti. Ak niektoré časti chýbajú, obráťte sa na svojho dodávateľa.
- Odstráňte všetok obalový materiál.
- Obal si uschovajte, ak plánujete spotrebič v budúcnosti uskladniť.
- Skontrolujte, či je spotrebič kompletný a či nie je poškodený pri preprave. V prípade neúplného dodania alebo poškodenia okamžite kontaktujte dodávateľa. Spotrebič NEPOUŽÍVAJTE. (Pozri ==> Záruka).
- Vyčistite čepeľ. Dávajte pozor: čepeľ je veľmi ostrá. (V prípade potreby použite rukavice, nie sú súčasťou balenia)
- Okolo spotrebiča nechajte voľný priestor aspoň 10 cm, aby bolo zabezpečené dostatočné vetranie.
- Spotrebič umiestnite tak, aby bola zástrčka vždy prístupná.
- Ak ostrecie zariadenie nie je pripojené, postupujte nasledovne:

SK



1. Pohľad zhora na spotrebič

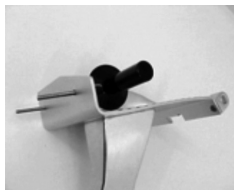
2. Upevnite ostrecí modul tak, aby sa čepeľ nepohybovala medzi kolieskami.

3. Upevnite ostrecie zariadenie k stroju utiahnutím držiaka. Pred použitím stroja skontrolujte, či je zarovnávací pomôcka dobre zaistená.

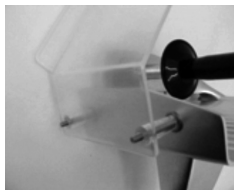
**POZNÁMKA!** Ostrie zariadenie je vybavené bezpečnostným spínačom. Ak ostrecie zariadenie nie je správne pripojené, spotrebič nebudete môcť používať.



- Pripevnite chránič ruky.



1. Vložte obe skrutky do nosiča.



2. Pripevnite chránič ruky.



3. Umiestnite dve podložky na biele skrutky.



4. Naskrutkujte dve klenuté matice.

**POZNÁMKA!** Spotrebič sa odporúča nepoužívať, ak nie je pripojený chránič ruky podľa pokynov! Toto sú bezpečnostné prvky, ktoré zabránia možnému zraneniu. Ak tieto funkcie nepripevníte, hrozí riziko poranenia.

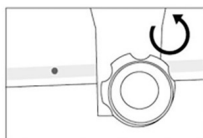
### Návod na použitie

- Spotrebič umiestnite tak, aby vypínač smeroval k používateľovi.
- Ak nie je nainštalovaný strúhadlo čepele, postupujte nasledovne:
  - Umiestnite strúhadlo čepele do podpery tak, aby čepeľ nepresahovala medzi ozubené kolesá.
  - Uťahnite bezpečnostnú skrutku na strúhadlo čepele.
  - Poznámka! Spotrebič je vybavený bezpečnostným spínačom a po odstránení ostrenia sa automaticky vypne
- Zasuňte zástrčku do sieťovej zásuvky.
- Otočte číselník pomocou odstupňovanej mierky na požadovanú hrúbku rezu.
- Spotrebič zapnite stlačením tlačidla „BIELA (I)“ vypínača ZAP/VYP.
- Položte výrobnúdosku jedla na nosič a nastavte svorku tak, aby výrobok držal pevne na mieste. Uistite sa, že je výrobok umiestnený oproti zarážkovej platni.
- Po rezaní výrobku vypnite spotrebič stlačením tlačidla „ČERVENÉ (O)“ na vypínači.
- Otočte volič hrúbky späť do polohy „0“.

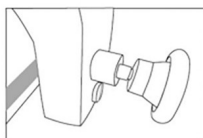
SK

### Ako uzamknúť krájač

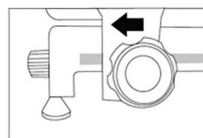
- ① Otačanie gombíka proti smeru hodinových ručičiek



- ② Pokračujte v otačaní gombíka, kým sa ÚPLNE neuvoľní

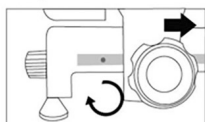


- ③ Posuňte zdvihaciu dosku do správnej polohy, krájač sa automaticky uzamkne



### Odomknutie krájača

- ① Na odomknutie krájača otočte gombík v smere hodinových ručičiek. Na utiahnutie zdvihacej dosky je potrebné gombík otočiť ÚPLNE.



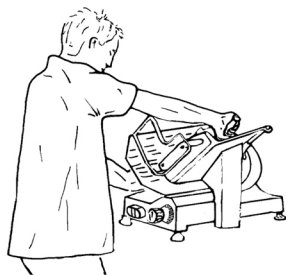
## Vkladanie a krájanie potravín

**VAROVANIE:** Výrobky, ktoré sa majú rezať, sa musia vložiť do zásuvky na potraviny len vtedy, keď je otočný gombík nastavený do polohy „0“. Venujte pozornosť čepeľi a ostrým hranám.

Postup je nasledovný:

- keď bol výrobok vložený na potravinovú misku a umiestnený oproti platni, zastavte ho pomocou ramena s uchopovacími bodmi;
- nastavte číselníkový ovládač tak, aby ste získali požadovanú hrúbku rezu;
- Aby sa predišlo nehodám, obsluha musí smerovať k stroju a prijať správnu polohu: položte krúžok na zatláčač mäsa a potom ľavý vedľa vychyľovača (**nedotýkajte sa čepele**); telo musí byť kolmo na pracovný povrch (pozrite si obr. 1a). **VAROVANIE:** Venujte maximálnu pozornosť: **žiadna časť vášho tela sa nesmie dotýkať čepele** (pozrite si OBR. 1b);

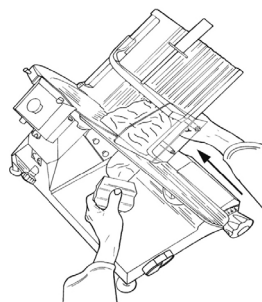
- stlačte tlačidlo zapnutia „I“;
- hladko zatlačte nosič (podnos na potraviny + zatláčač na mäso + driek) smerom k čepeľi bez toho, aby ste vyvíjali tlak na potraviny pomocou zatláčača na mäso, pretože majú vlastnú gravitačnú silu, ktorá vyvíja tlak na hrúbkometer. Čepeľ ľahko odreže potraviny a vychyľovač navedie na zbernú dosku krájače (pozri OBR. 2);
- nepoužívajte krájač bez potravín;
- po prerezaní potravín nastavte otočný ovládač do polohy „0“ a vypnite spotrebič nastavením spínača do polohy „0“;
- Ostrite čepeľ hneď, ako plátky ukážu drsný alebo rozstrapkaný povrch a rezanie bude ťažké (pozrite si časť Ostrenie čepele).



Obr. 1a. Pravá poloha



Obr. 1b. Nesprávna poloha



Obr. 2. Rezanie mäsa

SK



## Ostrenie čepele

**VAROVANIE:** Skôr než budete pokračovať v ostrení čepele, zostaňte v strehu pred **OSOBNÝMI RIZIKAMI** (pozrite si časť Elektrický bezpečnostný systém), ktoré sa vzťahujú na nebezpečenstvo zranenia, ak sa nedodržia pokyny uvedené nižšie.

Čepeľ sa musí pravidelne a ihneď po tuposti naoštrovať. Je potrebné dodržiavať podrobné pokyny uvedené nižšie:

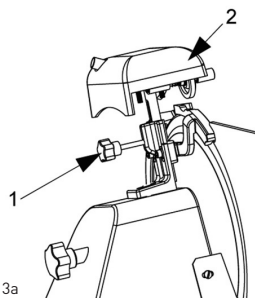
- vyčistíte čepeľ presne alkoholom, aby ste odstránili masť po odpojení zástrčky od zásuvky;
- odskrutkujte gombík (1, obr. 3a), zdvihnite (a) zaostrenie (2, obr. 3a) do blokovacej polohy a otočte ho o 180°.

Potom ho nechajte posunúť sa na koniec tak, aby sa čepeľ nachádzala medzi dvoma strúhadlami. Zamknite gombík ;

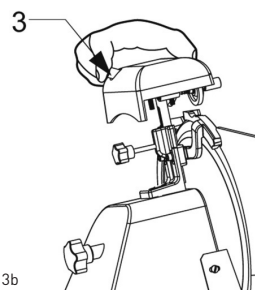
- zapnite krájač stlačením tlačidla „I“ [ZAP].
- stlačte malé tlačidlo (3, obr. 3b), nechajte čepeľ otáčať sa proti ostriu na 30/40 s, aby sa na okraji čepele vytvorila ostrá fréza;
- súčasne stlačte tlačidlá na 3/4 sekundy (1 a 2, Obr. 3c) a potom ich nechajte súčasne;
- odporúča sa vyčistiť ostré predmety po skončení zaostrenia (pozrite si časť **Čistenie ostrého prostriedku**);
- po dokončení ostrenia vráťte rez na pôvodné nastavenie opačným postupom.
- po naoštrení je potrebné čepeľ vyčistiť (pozrite si časť **Čistenie chrániča čepele a čepele**)

**POZNÁMKA:** Operáciu ostria nepredlžujte na viac ako 3/4 s, aby ste zabránili nebezpečnému prekrúteniu reznej hrany čepele.

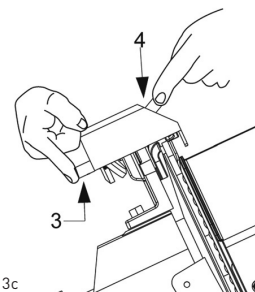
Čepeľ by sa mala vymeniť, ak sa nedá ďalej naoštriť alebo ak medzera medzi hranou čepele a chráničom čepele presahuje 6 mm.



Obr. 3a



Obr. 3b



Obr. 3c



## Bežné čistenie

### Všeobecné funkcie

- Čistenie krájača sa musí vykonávať aspoň raz denne alebo v prípade potreby častejšie.
- Čistenie musí byť mimoriadne presné pre tie časti krájača, ktoré sú priamo alebo nepriamo v kontakte s potravinami.
- Nakrájač sa nesmie čistiť vodným čističom a vysokotlakovými vodnými tryskami. Namiesto toho použite vodu a neutrálny čistiaci prostriedok. **Nepoužívajte iné čistiace prostriedky.** Nástroje, kefy a iné zariadenia, ktoré môžu poškodiť povrch krájača, sa nesmú používať.

- Pred vykonaním akéhokoľvek čistenia je potrebné:
- odpojiť zástrčku zdroja napájania od zásuvky, aby ste úplne izolovali krájač od zvyšku elektrického obvodu;
- nastavte otočný ovládač, ktorý nastaví doštičku do polohy „0“.

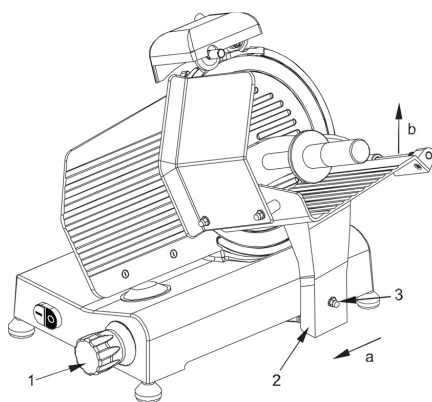
**VAROVANIE: Dávajte pozor na zvyškové riziká spôsobené rezaním a/alebo ostrými hranami. V prípade potreby noste ochranné rukavice (nie sú súčasťou balenia).**

## Postup čistenia krájača

### Čistenie plechu na potraviny

Nosič (podnos na potraviny + rameno + stopka) sa dá ľahko vybrať:

- nastavte otočný ovládač do polohy „0“ (1);
- nastavte zdvíhaciu dosku (2) na konci jej chodu (a) v blízkosti ovládacích prvkov ;
- odskrutkujte skrutku (3), posuňte nosič nahor (b);
- Po vybratí vozíka môžete presne vyčistiť potravinový podnos horúcou vodou a neutrálnym čistiacim prostriedkom (pH 7).



Odstránenie nosiča

SK

### Čistenie chrániča čepele a čepele

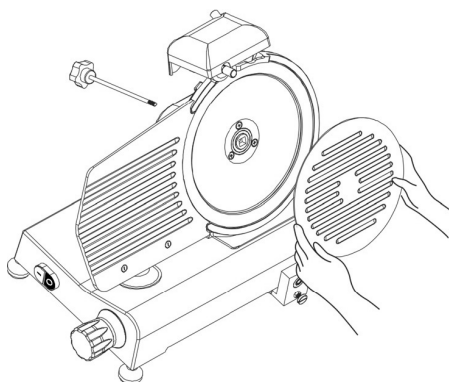
- Odstráňte kryt chrániča čepele odskrutkovaním kolíka na zadnej strane spotrebiča (pozri obr. 4).

**VAROVANIE: Čistenie čepele sa musí vykonávať vlhkou handričkou s kovovými rukavicami.**

Na vyčistenie opačného povrchu čepele je potrebné čepeľ vybrať (pozri obr. 5).

Čepeľ je potrebné odstrániť nasledujúcim spôsobom:

- demontujte chránič čepele (pozri obr. 5);
- vyberte strúhadlo (a) a otočením hrúbkovej čepele pomocou číselníkového gombíka zaistíte, aby nástroj na vyberanie čepele Plexiglas (b) (nie je súčasťou dodávky) priľnul k čepeľi;
- uvoľníte 3 alebo 4 skrutky (f) (podľa modelu), ktoré upevňujú čepeľ;

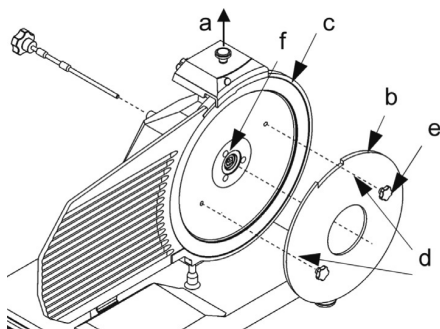


Obr. 4 – Odstránenie chrániča čepele



- ohnite nástroj na odstránenie čepele Plexiglas o čepeľ, aby ste získali spojenie otvorov pre čepele pomocou dvoch skrutiek (e), otáčajte čepeľ, kým nedosiahne správnu polohu;
- mierne utiahnite skrutku (e).

**VAROVANIE: Chránič čepele sa musí čistiť horúcou vodou a neutrálnym čistiacim prostriedkom.**



Obr. 5 – Montáž nástroja na odstránenie čepele Plexiglas (b)

### Čistenie strúhadla

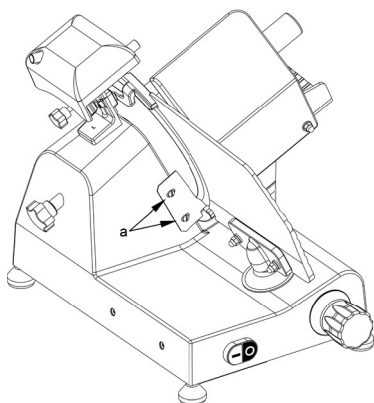
Operácia čistenia ostredla sa vykonáva trením brúsnych znamienok kefou. Mriežky musia byť

umiestnené v bezpečnej polohe, čo znamená, že musia byť otočené smerom k strane oproti čepeľi.

### Čistenie vychyľovača

Ak chcete odmontovať vychyľovač, odskrutkujte dve skrutky (a) zaisťujúce vychyľovač (pozri obr. 6).

Vychyľovač vyčistíte horúcou vodou s neutrálnym čistiacim prostriedkom.



Obr. 6 – Pohľad na vychyľovač

SK

### Údržba

#### Všeobecné funkcie

Pred začatím údržby je potrebné:

- Odpojte zástrčku napájacieho kábla zo zásuvky, aby ste úplne izolovali krájač od elektrického obvodu.

- Umiestnite číselník upravujúci hrúbku doštičky do polohy „0“.

#### Remeň

Pás sa nesmie nastavovať. Vo všeobecnosti sa musí vymeniť po 3 alebo 4 rokoch. V takom prípade zavolajte autorizované servisné CENTRUM.

#### Chodidlá

Chodidlá sa môžu poškodiť a stratiť elasticitu, čím sa znižuje stabilita krájača. V takom prípade sa musia vymeniť. Zavolajte autorizované servisné CENTRUM a vymeňte nožičky.



## Napájací kábel

Pravidelne kontrolujte, či napájací kábel nie je opotrebovaný. V takom prípade ho vymeňte za servisné stredisko.

## Čepeľ

Skontrolujte, či čepeľ nestratí viac ako 10 mm pôvodného priemeru. Ak ho chcete vymeniť, zavolajte do CENTRA SERVISU.

## Ostrovadlo – brúsne znamienka

Skontrolujte, či si brúsne znamienka počas zaostrenia zachovávajú svoju abrazívnu vlastnosť. Ak je potrebné vymeniť brúsne znamienka, zavolajte servisné stredisko, aby ste zabránili poškodeniu čepele.

## Mazanie posuvných vodiacich líšt

Z času na čas nalejte trochu oleja na okrúhly posuvný vodiaci prvok, po ktorom sa nosič pohybuje dozadu a dopredu. Túto operáciu je možné vykonať cez otvor (OIL) vedľa číselníka.

## Štítok na paneli s tlačidlami

Ak sú štítky na paneli tlačidiel poškodené, zavolajte servisné stredisko a požiadajte o výmenu.

## Likvidácia stroja

### Vyradenie stroja z prevádzky

Ak z nejakého dôvodu potrebujete stroj vyradiť z prevádzky, uistite sa, že ho nikto nemôže používať:

odpojte ho od elektrickej siete a odstráňte všetky elektrické pripojenia.

## Skladovanie

- Pred uskladnením sa vždy uistite, že spotrebič už bol odpojený od elektrickej zásuvky a úplne vychladol.

- Spotrebič skladujte na chladnom, čistom a suchom mieste.

## Riešenie problémov

Ak spotrebič nefunguje správne, skontrolujte nižšie uvedenú tabuľku pre roztok. Ak problém stále nedokážete vyriešiť, obráťte sa na dodávateľa/poskytovateľa služieb.

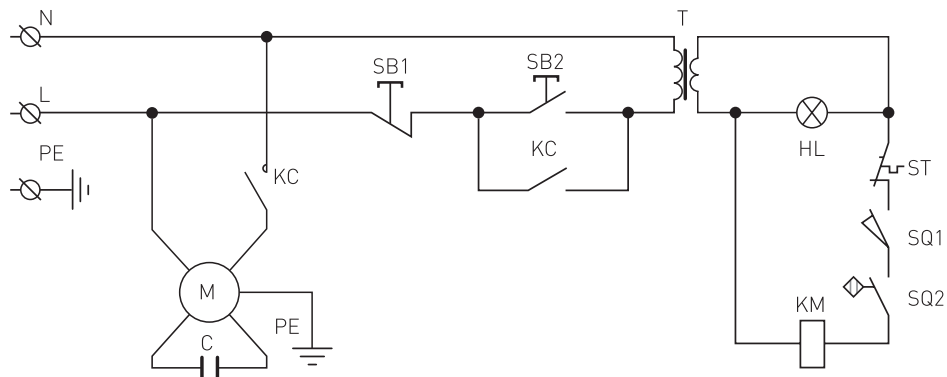
Problém	Možná príčina	Riešenie
Spotrebič nerozrezáva plátky rovnomerne	Tupá čepeľ	Ostrá čepeľ
	Špinavý spotrebič	Vyčistite spotrebič
Spotrebič prestane krájať	Prehriaty motor	Nechajte spotrebič vychladnúť na dlhšiu dobu. Bezpečnostný termostat motora sa automaticky vynuluje.
Nosič sa neposúva	Špinavá posuvná lišta	Vyčistite posuvnú lištu a namažte ju vazelinou
	Niektoré potraviny sa prilepia na čepeľ.	Vypnite spotrebič a odpojte ho od elektrickej siete. Nech sa úplne zastaví. Odstráňte akékoľvek zablokovanie. Čepeľ utrite vlhkou handričkou.
Čepeľ sa pri rezaní produktu zastaví	v-opasok opotrebovaný alebo znečistený	Obráťte sa na dodávateľa.

**Ak máte pochybnosti, vždy sa obráťte na svojho dodávateľa!**



## Schéma zapojenia pre 210000, 210017, 210031, 210048, 210086, 970294

Vstup striedavého napätia: AC220-240V, 50Hz



M : Motor

T : Transformátor

C : Kondenzátor

PE : Ochranné uzemnenie (uzemnenie)

L : Živý

N : Neutrálna

SB1, SB2 : Prepnutie

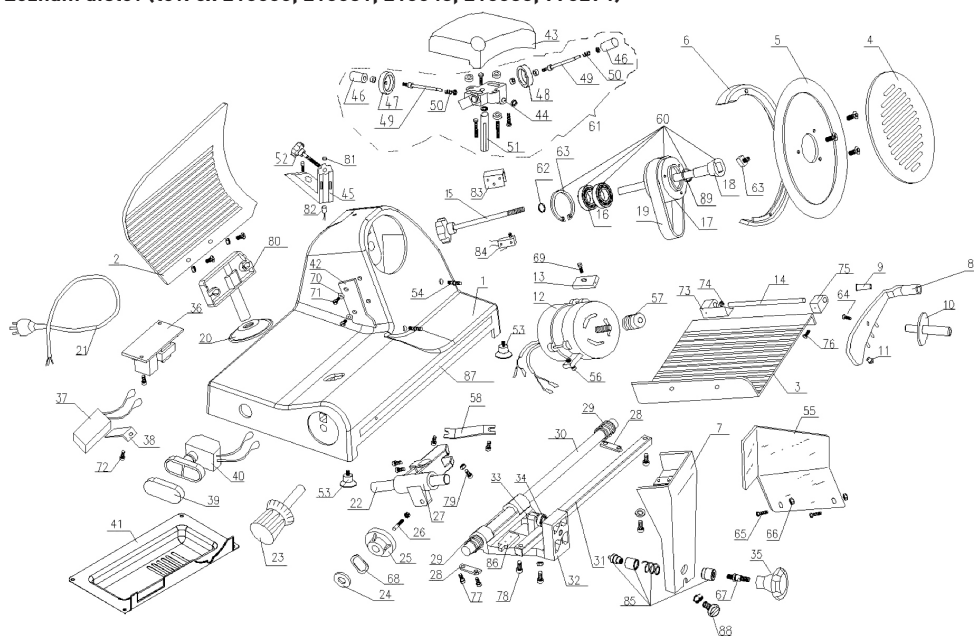
KC : Relé

HL : Kontrolka

ST : Tepelná poistka

SQ1, SQ2 : Mikrosplínač

## Zoznam dielov (tov. č.: 210000, 210031, 210048, 210086, 970294)



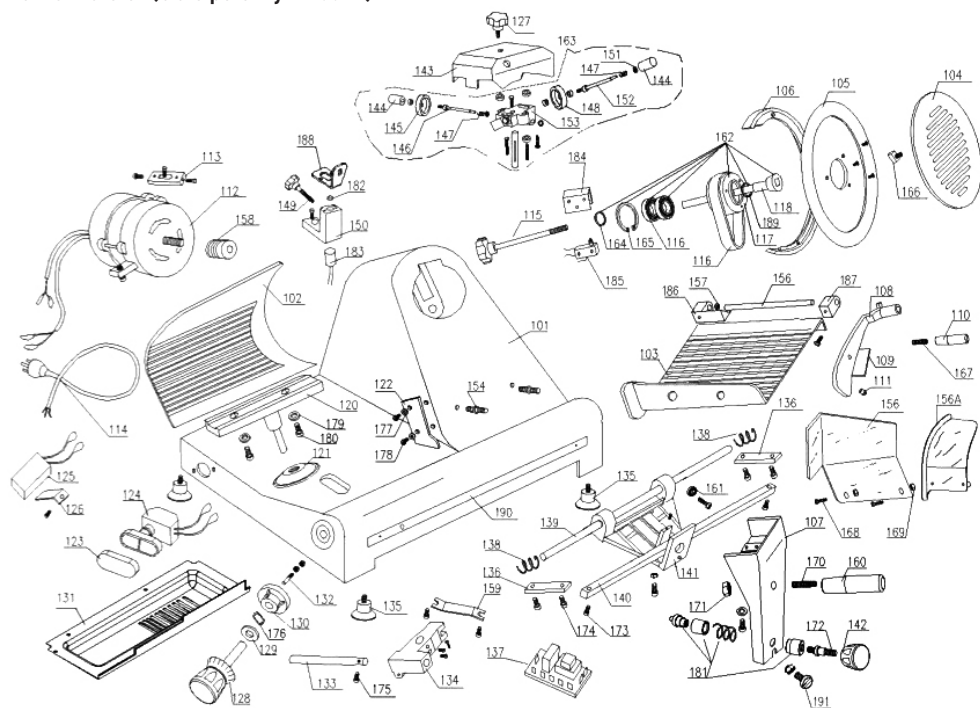
Č. časti	Názov dielu	Množstvo	Č. časti	Názov dielu	Množstvo
1	Prihlasovateľ	1	20	Sklíčková mulčovačka	1
2	Aktívna tabuľa	1	21	Napájacie vedenie	1
3	Úspora potravín	1	22	Posuvná náprava	1
4	Disk chrániča čepele	1	23	Gombík s mierkou	1
5	Čepeľ	1	24	Pružinová tesnenie	1
6	Krúžok na ochranu čepele	1	25	Vačka	1
7	Držiak podnosu	1	26	Personál vačky	1
8	Jedlo a pevné rameno	1	27	Posúvač	1
9	Priečodka s pevným ramenom	1	28	Svorkovanie posuvnej nápravy	2
10	Rukoväť s pevným ramenom	1	29	Pružina nápravy ťažného držiaka	2
11	Plastová granula	1	30	Náprava ťažného držiaka	1
12	Motor	1	31	Štvorzložková os	1
13	Motorové splývanie	1	32	Vlečná konzola	1
14	Kolík s pevným ramenom Ø 12x185	1	33	M8x35Pohlavná skrutka	1
15	Skrutky chrániča čepele	1	34	Guľôčkové ložisko 607	1
16	Guľôčkové ložisko 6202	2	35	Gombík krytu ťažnej konzoly	1
17	Koliesko remeňa čepele Ø 66	1	36	Relé	1
18	Kolík kolesa remeňa	1	37	Kondenzátor	1
19	RemeňSV.330	2	38	Držiak kondenzátora	1

SK



Č. časti	Názov dielu	Množstvo	Č. časti	Názov dielu	Množstvo
39	Mulčovanie tlačidiel	1	65	Skrutka rukoväte s pevným ramenom	1
40	Tlačidlový spínač	1	66	Skrutka nárazníka na prsty	2
41	Materská tabuľa	1	67	Matica nárazníka na prsty	2
42	Škrabka na mäso	1	68	Skrutka gombíka konzoly	1
43	Mulčovač na strúhanie	1	69	Nečistota pružinového závesu	1
44	Základňa brúsneho zariadenia podzostavy	1	70	Skrutka nárazu motora	1
45	Základňa na strúhanie zostaveného	1	71	Vložka na škrabanie mäsa	2
46	Tlačidlo naostrenia	2	72	Skrutka škrabky na mäso	2
47	Jemný mlecí kotúč Ø 45	1	73	Skrutka fixačnej svorky kondenzátora	1
48	Križové brúsne koliesko Ø 45	1	74	Kryt ložiska podnosu A	1
49	Kolík z trecieho kameňa	2	75	Držiak dosky na mäso	1
50	Jar	2	76	Kryt ložiska podnosu B	1
51	Kolík konzoly na strúhanie	1	77	Križová zapustená zapustená hlava zapustenia M6×12	2
52	Gombík na dotiahnutie zaostrenia	1	78	Skrutka briketu posuvnej nápravy	4
53	Mandrel aktívnej schránky	1	79	Zaisťovacia skrutka pre štvoritú os	2
54	Gumená nožička	4	80	Posuvná nastavovacia skrutka	1
55	Kolík ochranného krúžku čepele	2	81	Magnet	1
56	Doska na blokovanie mäsa	1	82	Magnetový spínač	1
57	Držiak posuvnej nápravy	2	83	Hliníkový blok	1
58	Malé koleso remeňa motora	1	84	Mikrospínač	1
59	Ovládač sklíčok	1	85	Zámok z nehrdzavejúcej ocele	1
60	Nastavenie remeňového kolesa	1	86	Obmedzený blok	1
61	Nastavenie zaostrenia	1	87	Tyč z nehrdzavejúcej ocele	1
62	Ø 15 Pružinová tesnenie pre ložisko	1	88	Nastavovacia skrutka pre držiak podnosu	1
63	Ø 15 Pružinová tesnenie pre ložisko	1	89	Olejové tesnenie	1
64	Štvorcová matica disku chrániča čepele	1			

## Zoznam dielov (číslo položky: 210017)



SK

Č. časti	Názov dielu	Množstvo	Č. časti	Názov dielu	Množstvo
101	Prihlasovateľ	1	119	Remeň SV.400	2
102	Aktívna tabuľa	1	120	Podporná základňa	1
103	Úspora potravín	1	121	Káblový plášť	1
104	Disk s ochrannými čepeľami	1	122	Mearscraper	1
105	čepeľ	1	123	Mulčovanie tlačidiel	1
106	Krúžok na ochranu čepele	1	124	Tlačidlový spínač	1
107	Držiak podnosu	1	125	Kondenzátor	1
108	Jedlo fixované v ramene	1	126	Držiak kondenzátora	1
109	Priechodka s pevným ramenom	1	127	Skrutka orientovaného personálu	1
110	Rukoväť	1	128	Gombík s mierkou	1
111	Plastová granula	1	129	Pružinové tesnenie	1
112	Motor	1	130	Vačka 300	1
113	Motorové splyvanie	1	131	Materská tabuľa	1
114	Napájacie vedenie	1	132	Vačkový čap	1
115	Skrutky chrániča čepele	1	133	Posuvná náprava	1
116	Guľôčkové ložisko6204	2	134	Posúvač	1
117	Remeňové koleso	1	135	Gumená nožička	4
118	Kolík kola remeňa	1	136	Posuvná náprava briketu	2



Č. časti	Názov dielu	Množstvo	Č. časti	Názov dielu	Množstvo
137	Relé	1	165	Ø 47 Pružinová tesnenie pre otvor	1
138	Pružina posuvnej nápravy	2	166	Štvorcová matica disku chrániča čepele	1
139	Posuvná náprava vlečného držiaka	1	167	Skrutka rukoväte s pevným ramennom	1
140	Štvorzložková os	1	168	Skrutka nárazníka na prsty	2
141	Vlečná konzola	1	169	Matica nárazníka na prsty	2
142	Tlačidlo vlečnej konzoly	1	170	Skrutka gombíka konzoly	1
143	Mulčovač na strúhanie	1	171	Matica gombíka držiaka	1
144	Tlačidlo	2	172	Spodná skrutka držiaka	1
145	Jemný mlecí kotúč Ø 45	1	173	Zaisťovacia skrutka pre štvoritú os	2
146	Kolík kolesa na čistenie frézy	2	174	Skrutka briketu posuvnej nápravy	4
147	Pružina kolesa na čistenie frézy	2	175	Posuvná skrutka nápravy	1
148	Krížové brúsne koliesko Ø 45	2	176	Ø 12 Pod tesnením pružiny	1
149	Gombík na dotiahnutie zaostrenia	1	177	Vložka na škrabanie mäsa	2
150	Podporná základňa vonkajšieho krúžku	1	178	Skrutka škrabky na mäso	1
151	Ø 4,751 koleso	1	179	Vyrovňavacia podložka ložiska bubna	2
152	Kolík z tretieho kameňa	1	180	Skrutka ložiska vretena	2
153	Základňa brúsneho zariadenia podzostavy	1	181	Zámok z nehrdzavejúcej ocele	1
154	čap krúžku na vedenie čepele	2	182	Magnet	1
155	Kolík misky na potraviny	1	183	Magnetový spínač	1
156/156 A	Doska na blokovanie mäsa	1	184	Obmedzený blok	1
157	Držiak posuvnej nápravy	1	185	Mikrospínač	1
158	Malé koleso remeňa motora	1	186	Kryt ložiska podnosu A	1
159	Koleso na prenos sklíčok	1	187	Kryt ložiska podnosu B	1
160	Rukoväť fažnej konzoly	1	188	Vyrovňavacia podložka ložiska bubna	1
161	Posuvná náprava608	1	189	Olejové tesnenie	1
162	Nastavenie remeňového kolesa	1	190	Tyč z nehrdzavejúcej ocele	1
163	Nastavenie zaostrenia	1	191	Nastavovacia skrutka pre držiak podnosu	1
164	Ø 20 Pružinová tesnenie pre ložisko	1			



## Technické špecifikácie

Č. položky	210031	210048	210000	210017	210086	970294
Prevádzkové napätie a frekvencia	220-240V ~ / 50 Hz					
Menovitý príkon	200W	280W	320W	420W	320W	280W
Priemer čepele	195 mm	220 mm	250 mm	300 mm	250 mm	220 mm
Trieda ochrany proti vode	IP33					
Trieda ochrany	Trieda I					
Hladina hluku	< 70 dB (A)					
Rozmery	400 x 400 x (H)330 mm	440 x 420 x (H)350 mm	485 x 420 x (H)395 mm	600 x 480 x (H)450 mm	485 x 420 x (H)395 mm	440 x 420 x (H)350 mm
Čistá hmotnosť (približne)	13,5 kg	14 kg	16 kg	26 kg	16 kg	14 kg

**Poznámka: Technická špecifikácia sa môže zmeniť bez predchádzajúceho upozornenia.**

## Záruka

Akákoľvek chyba ovplyvňujúca funkčnosť spotrebiča, ktorá sa prejaví do jedného roka od zakúpenia, bude opravená bezplatnou opravou alebo výmenou za predpokladu, že spotrebič bol použitý a udržiavaný v súlade s pokynmi a nebol žiadnym spôsobom zneužitý alebo nesprávne používaný. Vaše zákonné práva nie sú ovplyvnené. Ak sa na spotrebič vzťahuje záruka, uveďte, kde a kedy bol spotrebič

zakúpený, a priložte doklad o kúpe (napr. potvrdenie).

V súlade s našimi zásadami neustáleho vývoja produktov si vyhradzuje právo zmeniť špecifikácie produktu, balenia a dokumentácie bez predchádzajúceho upozornenia.

SK

## Likvidácia a prostredie

Pri vyradovaní spotrebiča sa výrobok nesmie likvidovať s iným domovým odpadom. Namiesto toho je vaša zodpovednosťou zlikvidovať odpadové zariadenie jeho odovzdaním na určené zberné miesto. Nedodržanie tohto pravidla môže byť penalizované v súlade s platnými predpismi o likvidácii odpadu. Separovaný zber a recyklácia odpadového zariadenia v čase likvidácie pomôže zachovať prírodné zdroje a zabezpečiť, aby bolo recyklované spôsobom, ktorý chráni ľudské zdravie a životné prostredie.

Ďalšie informácie o tom, kde môžete odovzdať odpad na recykláciu, vám poskytne miestna spoločnosť na zber odpadu. Výrobcovia a dovozcovia nenesú zodpovednosť za recykláciu, zaobchádzanie a ekologickú likvidáciu, či už priamo alebo prostredníctvom verejného systému.





**Declaration of conformity / Konformitätserklärung / Conformiteitsverklaring / Deklaracja zgodności / Déclaration de conformité / Dichiarazione di conformità / Declaratie de conformitate / Декларация соответствия / Δήλωση συμμόρφωσης / Izjava o sukladnosti / Vyhľadanie o zhode**

HENDI BV hereby declares under his own responsibility that the product: / HENDI BV erklärt hiermit in eigener Verantwortung, dass das Produkt: / Hierbij verklaart HENDI BV onder eigen verantwoordelijkheid dat het product: / Firma HENDI BV niniejszym oświadcza na własną odpowiedzialność, że produkt: / HENDI BV déclare par la présente sous sa propre responsabilité que le produit: / HENDI BV dichiara sotto la propria responsabilità che il prodotto: / HENDI BV declară pe propria răspundere că produsul: / HENDI BV настоящим заявляет под свою ответственность, что продукт: / O HENDI BV δηλώνει με δική του ευθύνη ότι το προϊόν: / HENDI BV ovime na vlastitu odgovornost izjavljuju da je proizvod: / Spoločnosť HENDI BV týmto na vlastnú zodpovednosť vyhlasuje, že výrobok:

Product number: / Produktnummer: / Productnummer: / Kod Produkta: / Code produit: / Codice prodotto: / Numărul: / Код Продукта: / Αριθμός προϊόντος: / 210031, 210048, 210000, 210017, 970294, 210086  
Broj proizvoda: / Číslo produktu:

Product name: / Produktname: / Productomschrijving: / Nazwa Produktu: / Meat Slicer / Schneidemaschine / Snijmachine / Krajalnica / Trancheuse  
Nom du produit: / Nome del prodotto: / Denumirea produsului: / Название Produkta: / Ονομασία προϊόντος: / Naziv proizvoda: / Název produktu: / Affettatrice / Feliator / Слайсер / Μηχανή κοπής αλλαντικών / Strúháč / Slicer mesa / na mäso

Brand: / Marke: / Merk: / Marka: / Marque: / Marchio: / Марка: / Márka: / Brand: / Značka: / HENDI

Has been engineered and manufactured in conformity to harmonized standards: / Wurde in Übereinstimmung mit harmonisierten Normen entwickelt und hergestellt: / Is ontworpen en vervaardigd in overeenstemming met geharmoniseerde normen: / Został zaprojektowany i wyprodukowany zgodnie z normami zharmonizowanymi: / A été conçu et fabriqué conformément aux normes harmonisées: / È stato progettato e prodotto in conformità a norme armonizzate: / A fost proiectat și fabricat în conformitate cu standardele armonizate: / Был разработан и изготовлен в соответствии с гармонизированными стандартами: / Έχει κατασκευαστεί και κατασκευαστεί σύμφωνα με εναρμονισμένα πρότυπα: / Izrađen je i proizveden u skladu s usklađenim normama: / Bol navrhnutý a vyrobený v súlade s harmonizovanými normami:

Meets the essential requirements as described in: / Erfüllt die grundlegenden Anforderungen wie beschrieben in: / Voldoet aan de essentiële vereisten zoals beschreven in: / Speetnia podstawowe wymagania opisane w: / Répond aux exigences essentielles décrites dans: / Soddisfa i requisiti essenziali descritti in: / Îndeplinește cerințele esențiale descrise în: / Отвечает основным требованиям, описанным в: / Πληροί τις βασικές απαιτήσεις όπως περιγράφεται στο: / Zadovoljava osnovne zahtjeve opisane u: / Splníva základné požiadavky opísané v časti:

Technical documentation available at the company's headquarters: / Technische Dokumentation am Hauptsitz des Unternehmens erhältlich: / Technische documentatie beschikbaar op het hoofdkantoor van het bedrijf: / Dokumentacja techniczna dostępna w siedzibie firmy: / Documentation technique disponible au siège de l'entreprise: / Documentazione tecnica disponibile presso la sede dell'azienda: / Documentație tehnică disponibilă la sediul companiei: / Техническая документация доступна в штаб-квартире компании: / Τεχνική τεκμηρίωση διαθέσιμη στα κεντρικά γραφεία της εταιρείας: / Tehnička dokumentacija dostupna u sjedištu tvrtke: / Technická dokumentácia dostupná v sídle spoločnosti:

HENDI B.V.  
Innovatielaan 6  
6745 XW De Klomp, The Netherlands

De Klomp, 15-06-2021

R.E. Vooijs  
Purchasing Manager





# HENDI

Tools for Chefs

## **HENDI B.V.**

Innovatielaan 6  
6745 XW De Klomp, The Netherlands  
**Tel:** +31 317 681 040  
**Email:** info@hendi.eu

## **HENDI Polska Sp. z o.o.**

ul. Firmowa 12  
62-023 Robakowo, Poland  
**Tel:** +48 61 658 7000  
**Email:** info@hendi.pl

## **HENDI GmbH**

Ehring 15  
5112 Lamprechtshausen, Austria  
**Tel:** +43 6274 200 10 0  
**Email:** office.austria@hendi.eu

## **HENDI Romania S.R.L.**

Str. 13 decembrie 94A, Hala 14  
Braşov, 500164, Romania  
**Tel:** +40 268 320330  
**Email:** office@hendi.ro

## **PKS HENDI South East Europe SA**

5 Metsovou Str.  
18346 Moschato, Athens, Greece  
**Tel:** +30 210 4839700  
**Email:** info@pks-hendi.com

## **HENDI Italia S.R.L.**

Via Leonardo da Vinci 4  
39100 Bolzano (BZ), Italy  
**Tel:** +39 800 727 438  
**Email:** office.italy@hendi.eu

## **HENDI HK Ltd.**

1201, 12/F Exchange Tower  
33 Wang Chiu Road, Kowloon Bay, Hong Kong  
**Tel:** +852 2154 2618  
**Email:** info-hk@hendi.eu

## **Find HENDI on internet:**

[www.hendi.com](http://www.hendi.com)  
[www.facebook.com/HendiToolsforChefs](https://www.facebook.com/HendiToolsforChefs)  
<https://www.linkedin.com/company/hendi-tools-for-chefs/>  
[www.youtube.com/HendiEquipment](http://www.youtube.com/HendiEquipment)

- Changes, printing and typesetting errors reserved.
- Änderungen und Druckfehler vorbehalten.
- Wijzigingen en drukfouten voorbehouden.
- Producent zastrzega sobie prawo do zmian oraz błądów drukarskich w instrukcji.
- Variations et fautes d'impression réservés.

- Errori di cambiamenti, di stampa e di impaginazione riservati.
- Drepturi rezervate cu privire la modificări și greșeli de imprimare.
- Изменения, печати и верстки ошибки защищены.
- Με επιφύλαξη αλλαγών, λαθών εκτύπωσης και στοιχειοθεσίας.
- Pridržane promjene, ispis i pogreške u pisanju.
- Zmeny, tlača a chyby preprúdenia sú vyhradené.